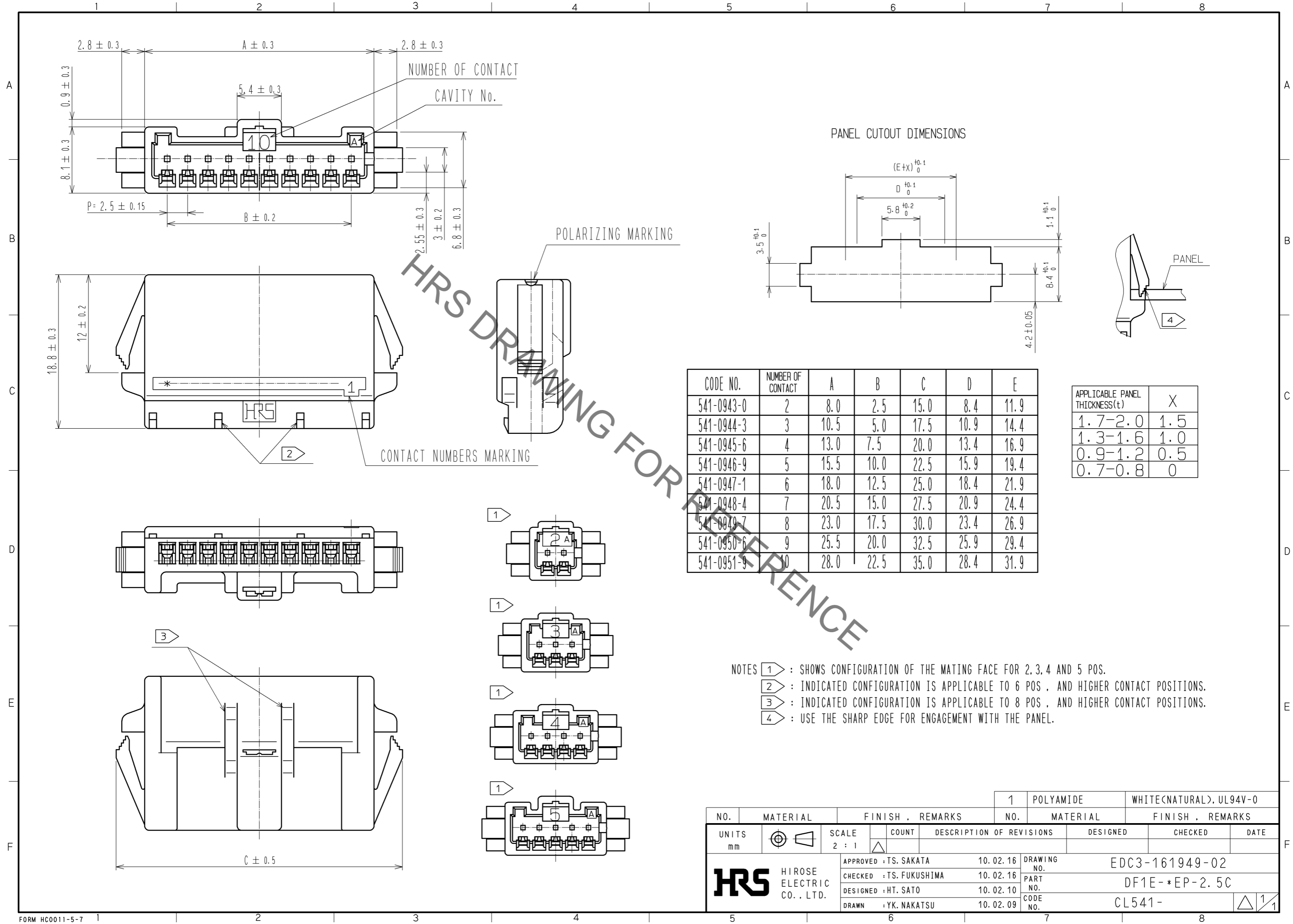


Aug.1.2021 Copyright 2021 HIROSE ELECTRIC CO., LTD. All Rights Reserved.  
 In case of consideration for using Automotive equipment / device which demand high reliability, kindly contact our sales window correspondents.



CODE NO.	NUMBER OF CONTACT	A	B	C	D	E
541-0943-0	2	8.0	2.5	15.0	8.4	11.9
541-0944-3	3	10.5	5.0	17.5	10.9	14.4
541-0945-6	4	13.0	7.5	20.0	13.4	16.9
541-0946-9	5	15.5	10.0	22.5	15.9	19.4
541-0947-1	6	18.0	12.5	25.0	18.4	21.9
541-0948-4	7	20.5	15.0	27.5	20.9	24.4
541-0949-7	8	23.0	17.5	30.0	23.4	26.9
541-0950-6	9	25.5	20.0	32.5	25.9	29.4
541-0951-9	10	28.0	22.5	35.0	28.4	31.9

APPLICABLE PANEL THICKNESS(t)	X
1.7-2.0	1.5
1.3-1.6	1.0
0.9-1.2	0.5
0.7-0.8	0

- NOTES
- ① : SHOWS CONFIGURATION OF THE MATING FACE FOR 2, 3, 4 AND 5 POS.
  - ② : INDICATED CONFIGURATION IS APPLICABLE TO 6 POS , AND HIGHER CONTACT POSITIONS.
  - ③ : INDICATED CONFIGURATION IS APPLICABLE TO 8 POS , AND HIGHER CONTACT POSITIONS.
  - ④ : USE THE SHARP EDGE FOR ENGAGEMENT WITH THE PANEL.

NO.	MATERIAL	FINISH . REMARKS	NO.	MATERIAL	FINISH . REMARKS
1	POLYAMIDE			WHITE(NATURAL), UL94V-0	

UNITS	SCALE	COUNT	DESCRIPTION OF REVISIONS	DESIGNED	CHECKED	DATE
mm	2 : 1	△				

<b>HRS</b> HIROSE ELECTRIC CO., LTD.	APPROVED : TS. SAKATA	10.02.16	DRAWING NO.	EDC3-161949-02
	CHECKED : TS. FUKUSHIMA	10.02.16	PART NO.	DF1E-*EP-2.5C
	DESIGNED : HT. SATO	10.02.10	CODE NO.	CL541-
	DRAWN : YK. NAKATSU	10.02.09		

## X-ON Electronics

Largest Supplier of Electrical and Electronic Components

*Click to view similar products for [Headers & Wire Housings](#) category:*

*Click to view products by [Hirose](#) manufacturer:*

Other Similar products are found below :

[892-18-020-10-001101](#) [58102-G61-06LF](#) [582553-1](#) [0009485154](#) [009176003701906](#) [0050291907](#) [LY20-4P-DT1-P1E-BR](#) [02.125.8002.8](#)  
[609-3404](#) [61062-3](#) [622-0430](#) [622-3653LF](#) [63453-116](#) [636-1030](#) [636-1427](#) [636-3427](#) [636-4007](#) [641938-9](#) [641991-4](#) [644827-2](#) [65817-010LF](#)  
[65817-015LF](#) [65863-015LF](#) [66207-023LF](#) [67095-007LF](#) [67601157](#) [68648-049](#) [70.362.1628.0](#) [70-4210](#) [70-4226B](#) [70-4853B](#) [707-5020](#) [707-5028](#) [71.350.2428.0](#) [71918-208LF](#) [71961-016LF](#) [733-134](#) [733-162](#) [754199-000](#) [760-3052](#) [787-8014-00](#) [79531-3000](#) [FCN-360C032-B](#) [FCN-367T-T012/H](#) [FCN-723D010/2](#) [80.063.4001.1](#) [800-90-001-10-001000](#) [800-90-010-10-002000](#) [801-43-002-10-013000](#) [801-43-006-10-002000](#)