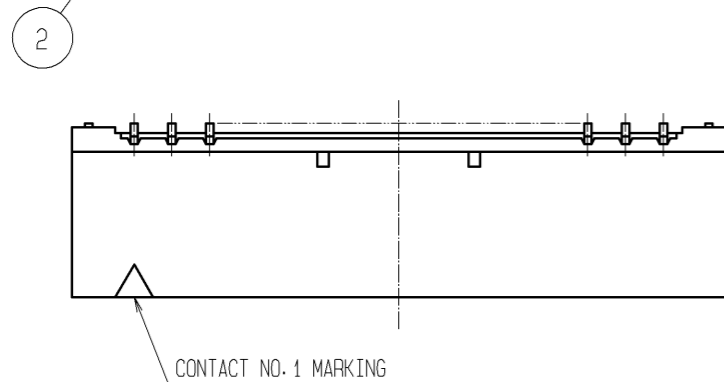
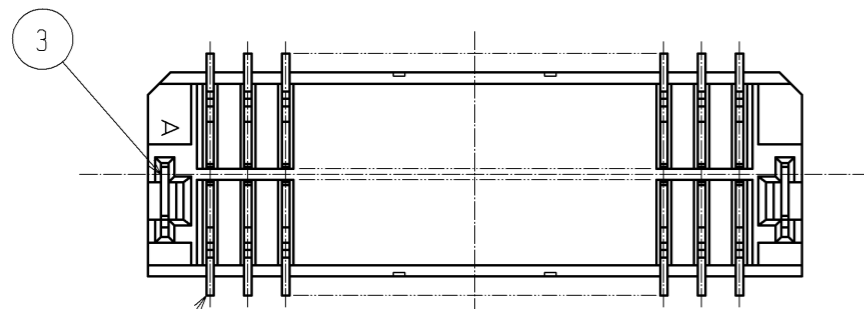
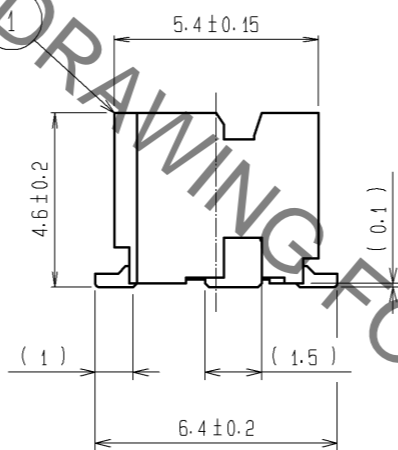
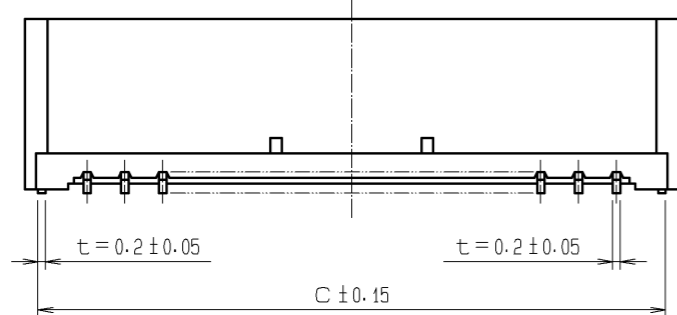
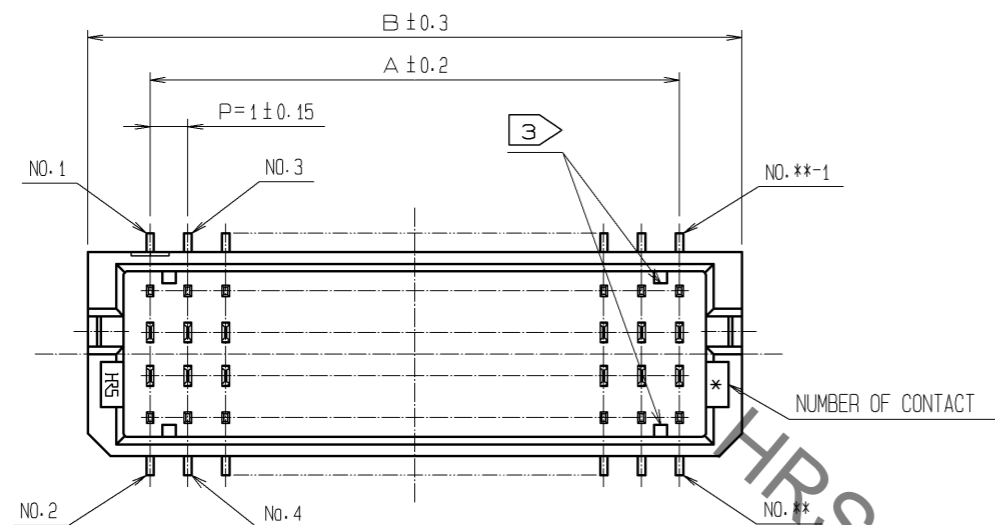
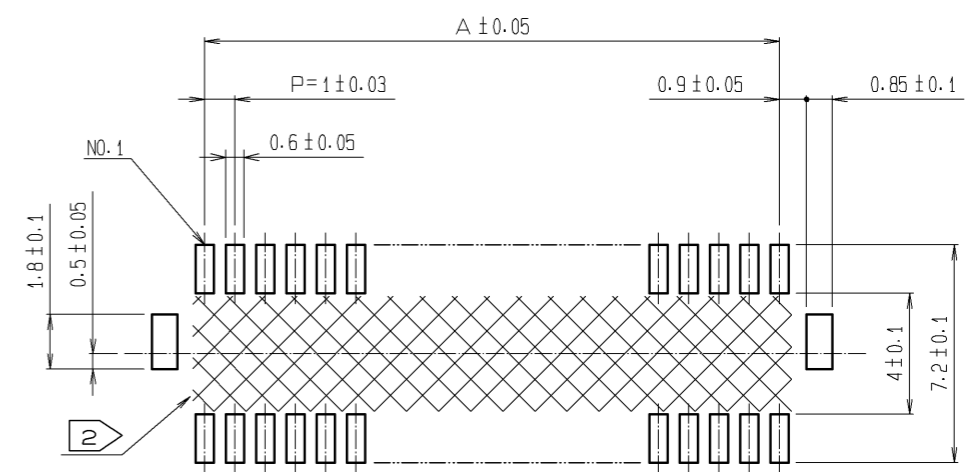


Apr.1.2019 Copyright 2019 HIROSE ELECTRIC CO., LTD. All Rights Reserved.  
In case of consideration for using Automotive equipment / device which demand high reliability, kindly contact our sales window correspondents.

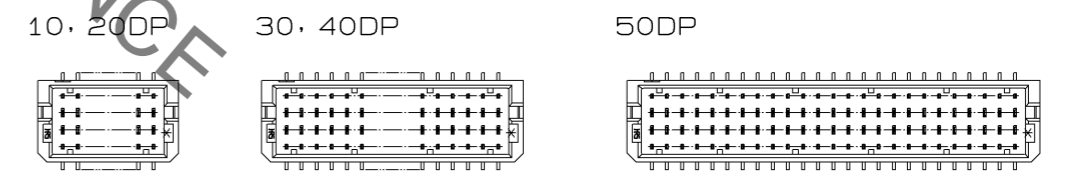


RECOMMENDED PATTERN(FREE)

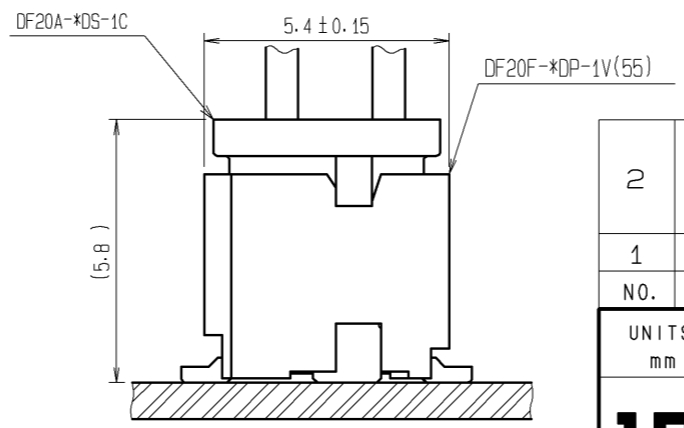


PART NO.	HRS NO.	NUMBER OF CONTACTS	A	B	C
DF20F-10DP-1V(55)	CL686-0032-2-55	10	4.0	7.3	6.6
DF20F-20DP-1V(55)	CL686-0033-5-55	20	9.0	12.3	11.6
DF20F-30DP-1V(55)	CL686-0034-8-55	30	14.0	17.3	16.6
DF20F-40DP-1V(55)	CL686-0035-0-55	40	19.0	22.3	21.6
DF20F-50DP-1V(55)	CL686-0036-3-55	50	24.0	27.3	26.6

NOTES1: LEAD CO-PLANARITY SHALL BE 0.1mm MAX INCLUDING METAL HOLD DOWN.  
 2 IF THERE IS PATTERN ON PART, THERE IS A POSSIBILITY THAT IT WILL MAKE CONTACT WITH THE LEADS.  
 3 THE NUMBER AND POSITION OF A RIB ARE AS FOLLOWS BY THE NUMBER OF CONTACTS.



APPLICATION DIAGRAM(FREE)



NO.	MATERIAL	FINISH	REMARKS	NO.	MATERIAL	FINISH	REMARKS
2	PHOSPHER BRONZE		Contact Area:Gold Plated 0.2μm min. Lead Area:Gold Plated 0.015μm min. Under Plating:Nickel Plated 2μm min.	5	S. PVC		STOPPER, GRAY
1	POLYAMIDE		NATURAL (BEIGE), UL94V-0	4	PC-M		ELECTROSTATIC PROTECTION, CLEAR
				3	BRASS		Surface:Tin-Copper Plated 1μm min. Under Plating:Nickel Plated 1μm min.

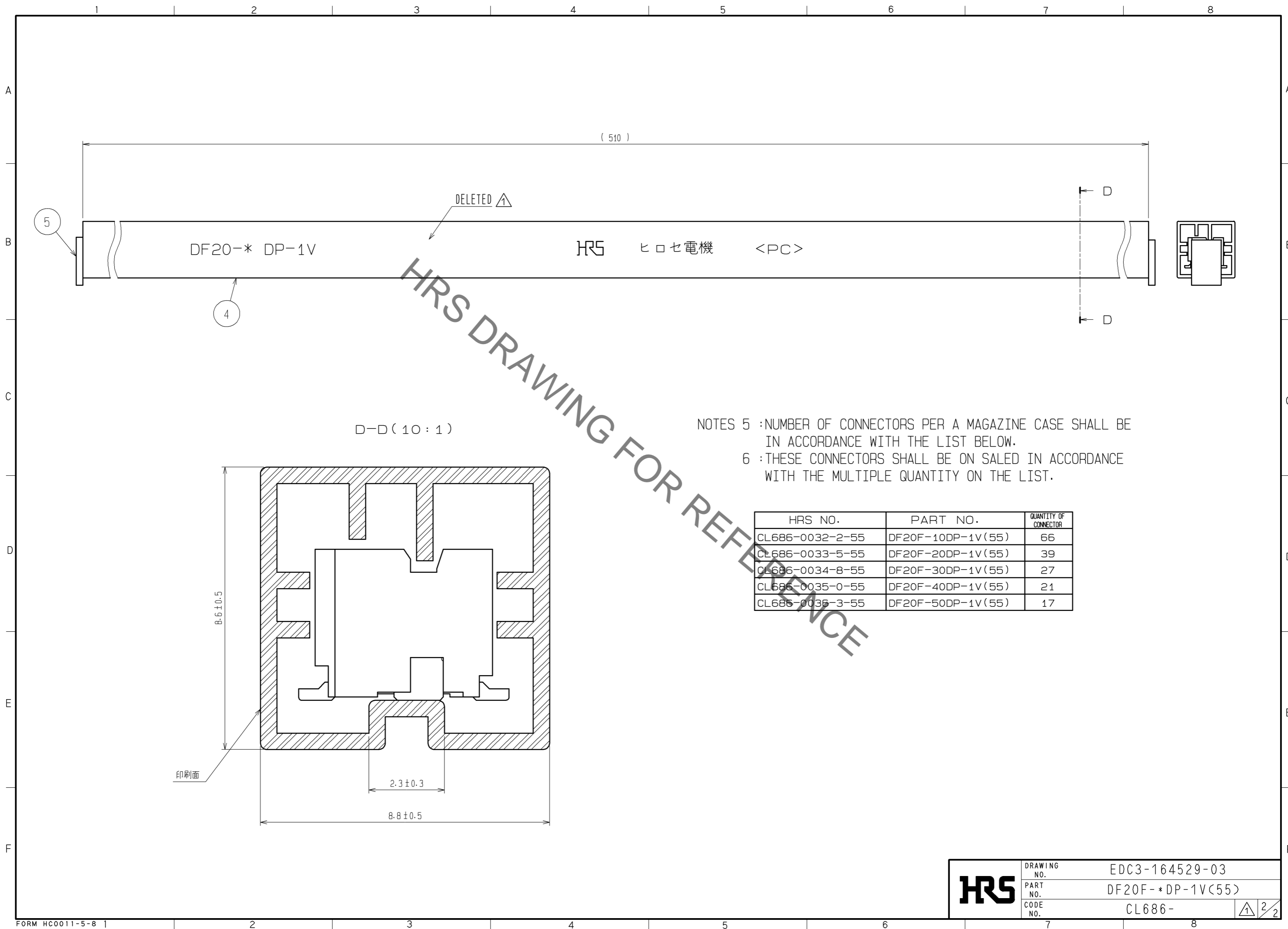
  

UNITS	SCALE	COUNT	DESCRIPTION OF REVISIONS	DESIGNED	CHECKED	DATE
mm	5 : 1	1	DIS-H-008680	MI. SAKIMURA	TS. FUKUSHIMA	14. 04. 11

APPROVED	DATE	DRAWING NO.
TY. OMA	06. 02. 06	EDC3-164529-03
CHKD : HK. UMEHARA	06. 02. 04	PART NO.
DESIGNED : SZ. ONO	06. 02. 03	DF20F- * DP- 1V(55)
DRAWN : SZ. ONO	06. 02. 03	CODE NO.
		CL686-

Apr.1.2019 Copyright 2019 HIROSE ELECTRIC CO., LTD. All Rights Reserved.  
 In case of consideration for using Automotive equipment / device which demand high reliability, kindly contact our sales window correspondents.



NOTES 5 : NUMBER OF CONNECTORS PER A MAGAZINE CASE SHALL BE IN ACCORDANCE WITH THE LIST BELOW.  
 6 : THESE CONNECTORS SHALL BE ON SALED IN ACCORDANCE WITH THE MULTIPLE QUANTITY ON THE LIST.

HRS NO.	PART NO.	QUANTITY OF CONNECTOR
CL686-0032-2-55	DF20F-10DP-1V(55)	66
CL686-0033-5-55	DF20F-20DP-1V(55)	39
CL686-0034-8-55	DF20F-30DP-1V(55)	27
CL686-0035-0-55	DF20F-40DP-1V(55)	21
CL686-0036-3-55	DF20F-50DP-1V(55)	17

<b>HRS</b>	DRAWING NO.	EDC3-164529-03
	PART NO.	DF20F-*DP-1V(55)
	CODE NO.	CL686-
		2/2

## X-ON Electronics

Largest Supplier of Electrical and Electronic Components

*Click to view similar products for [Headers & Wire Housings](#) category:*

*Click to view products by [Hirose](#) manufacturer:*

Other Similar products are found below :

[892-18-020-10-001101](#) [58102-G61-06LF](#) [582553-1](#) [0009485154](#) [009176003701906](#) [0050291907](#) [LY20-4P-DT1-P1E-BR](#) [02.125.8002.8](#)  
[609-3404](#) [61062-3](#) [622-0430](#) [622-3653LF](#) [63453-116](#) [636-1030](#) [636-1427](#) [636-3427](#) [636-4007](#) [641938-9](#) [641991-4](#) [644827-2](#) [65817-010LF](#)  
[65817-015LF](#) [65863-015LF](#) [66207-023LF](#) [67095-007LF](#) [67601157](#) [68648-049](#) [70.362.1628.0](#) [70-4210](#) [70-4226B](#) [70-4853B](#) [707-5020](#) [707-](#)  
[5028](#) [71.350.2428.0](#) [71918-208LF](#) [71961-016LF](#) [733-134](#) [733-162](#) [754199-000](#) [760-3052](#) [787-8014-00](#) [79531-3000](#) [FCN-360C032-B](#) [FCN-](#)  
[367T-T012/H](#) [FCN-723D010/2](#) [80.063.4001.1](#) [800-90-001-10-001000](#) [800-90-010-10-002000](#) [801-43-002-10-013000](#) [801-43-006-10-002000](#)