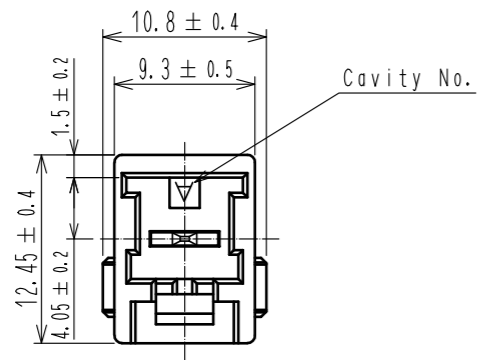
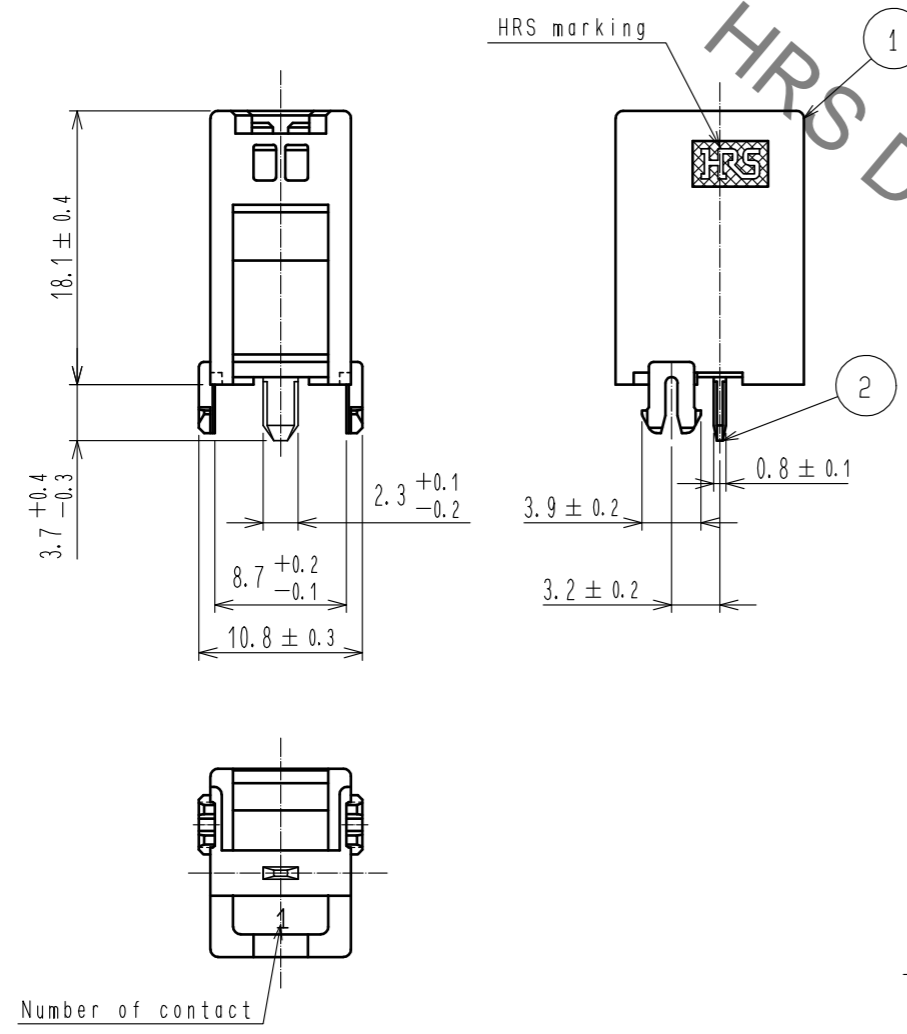
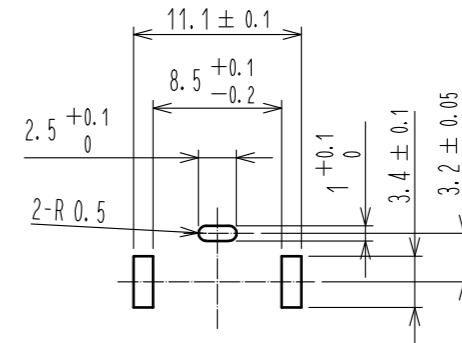


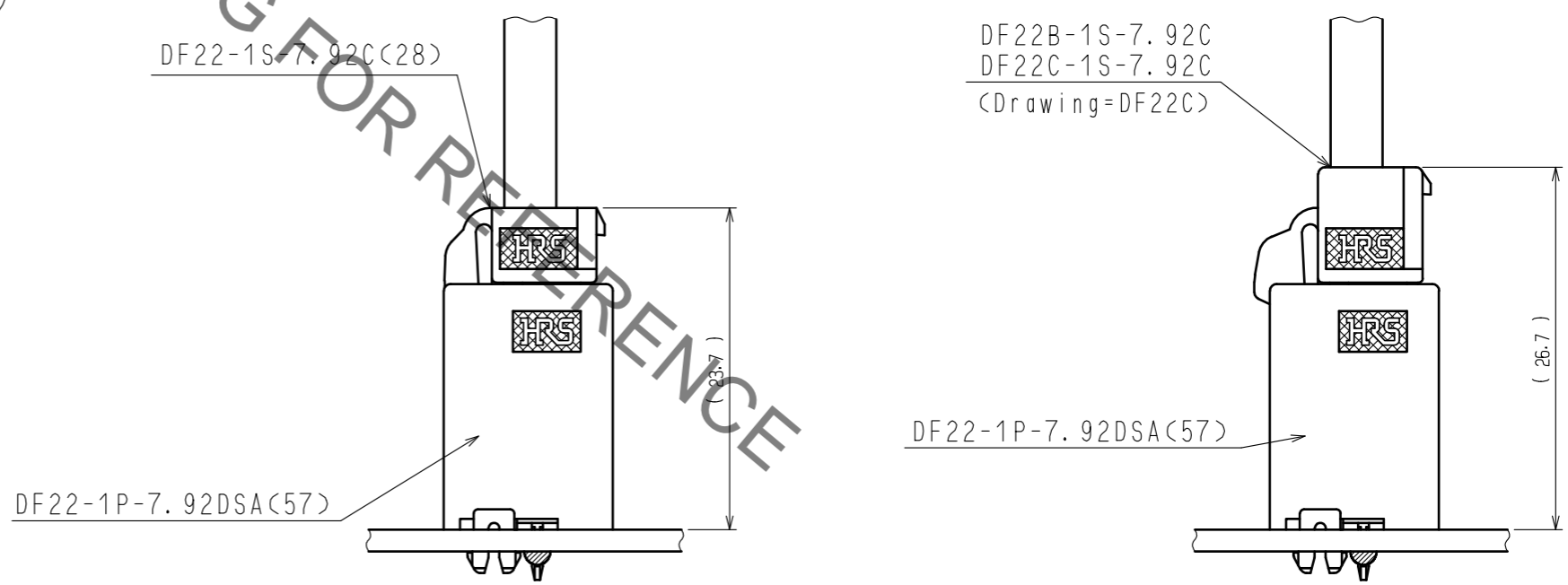
Sep.1.2021 Copyright 2021 HIROSE ELECTRIC CO., LTD. All Rights Reserved.
In case of consideration for using Automotive equipment / device which demand high reliability, kindly contact our sales window correspondents.



Recommended PCB layout



Application diagram



NOTE 1. UL(File No. E52653)
C-UL(File No. E52653)
TÜV(File No. R9950703) authorization article.



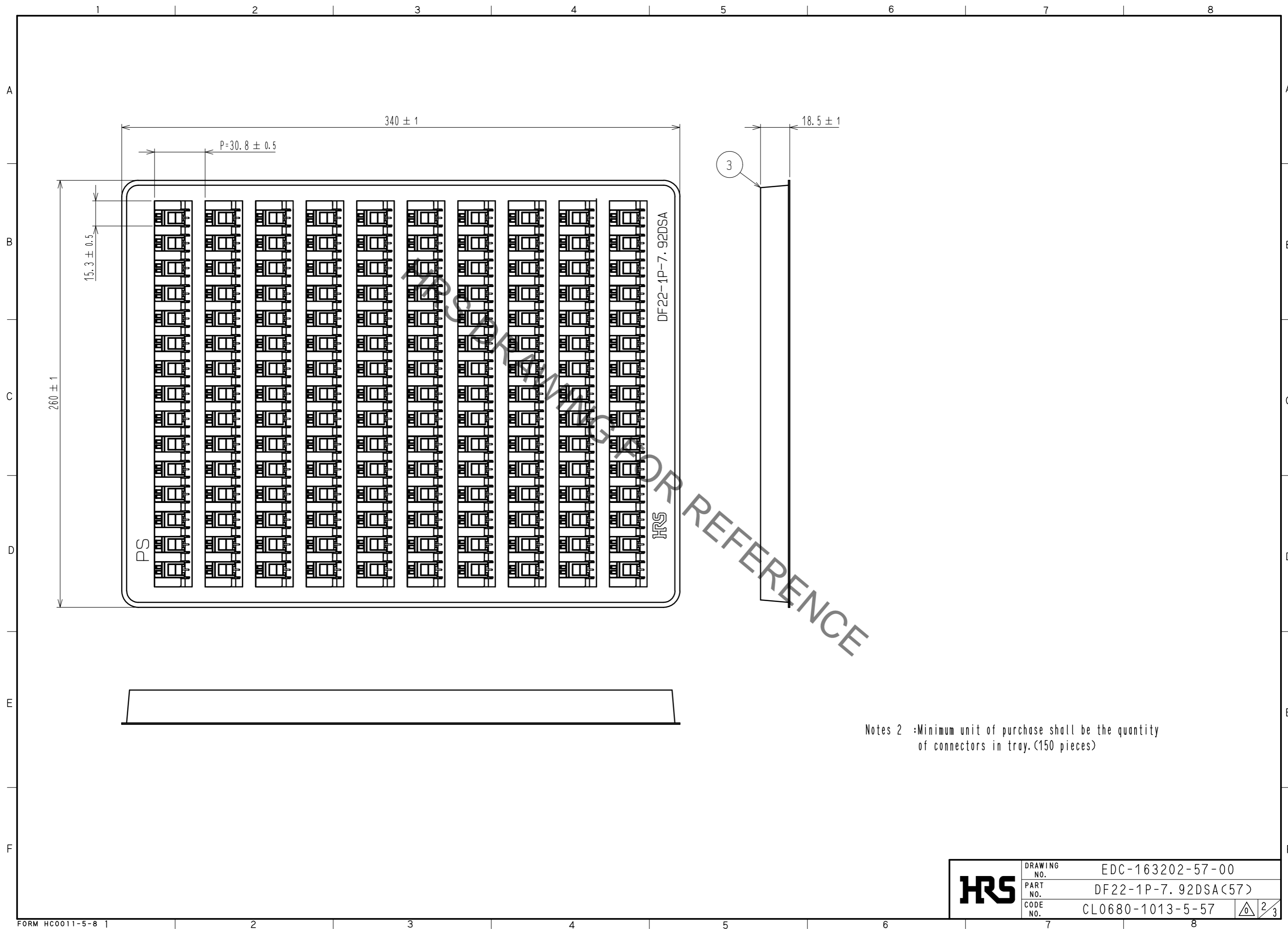
3	PS	Tray, White
2	Copper alloy	Contact area:Gold plating 0.2μm min. Lead area:Tin plating 1μm min. Under plating:Nickel plating 1μm min. Othre:Nickel plating 1μm min.

NO.	MATERIAL	FINISH .	REMARKS	NO.	MATERIAL	FINISH .	REMARKS
1	Polyamide	Natural(Beige).	UL94V-0				

UNITS	SCALE	COUNT	DESCRIPTION OF REVISIONS	DESIGNED	CHECKED	DATE
mm	2 : 1	△				

HRS HIROSE ELECTRIC CO., LTD.	APPROVED : SJ. OKAMURA	20210202	DRAWING NO.	EDC-163202-57-00
	CHECKED : SZ. ONO	20210202	PART NO.	DF22-1P-7.92DSA(57)
	DESIGNED : TS. KUMAZAWA	20210202	CODE NO.	CL0680-1013-5-57
	DRAWN : TS. KUMAZAWA	20210202		

Sep.1.2021 Copyright 2021 HIROSE ELECTRIC CO., LTD. All Rights Reserved.
In case of consideration for using Automotive equipment / device which demand high reliability, kindly contact our sales window correspondents.



Notes 2 :Minimum unit of purchase shall be the quantity of connectors in tray.(150 pieces)

HRS	DRAWING NO.	EDC-163202-57-00
	PART NO.	DF22-1P-7.92DSA(57)
	CODE NO.	CL0680-1013-5-57

△ 2/3

Sep.1.2021 Copyright 2021 HIROSE ELECTRIC CO., LTD. All Rights Reserved.
In case of consideration for using Automotive equipment / device which demand high reliability, kindly contact our sales window correspondents.

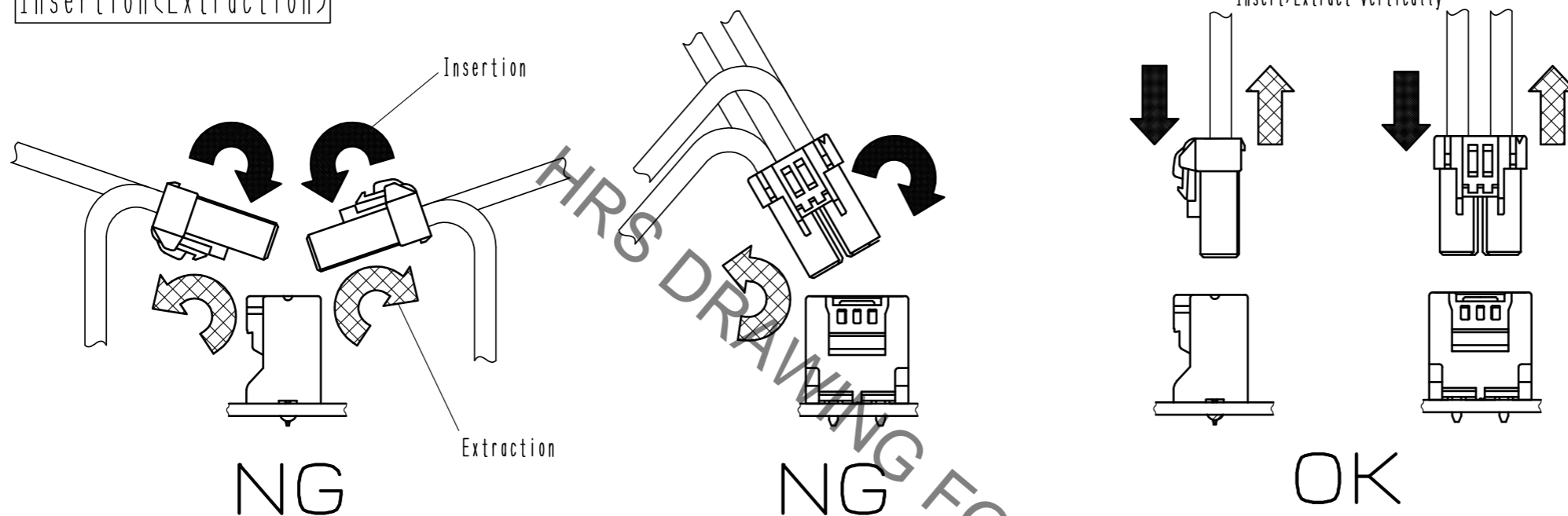
Precautions

Notification for Insertion/Extraction

- 1) Please insert/extract the crimping socket straight to the mating connector.
Insertion/Extraction at tilted angles applies load concentration to the connector end and may cause deformation (at connection area, socket and header case, etc). There is a firing risk using this kind of deformed connector.



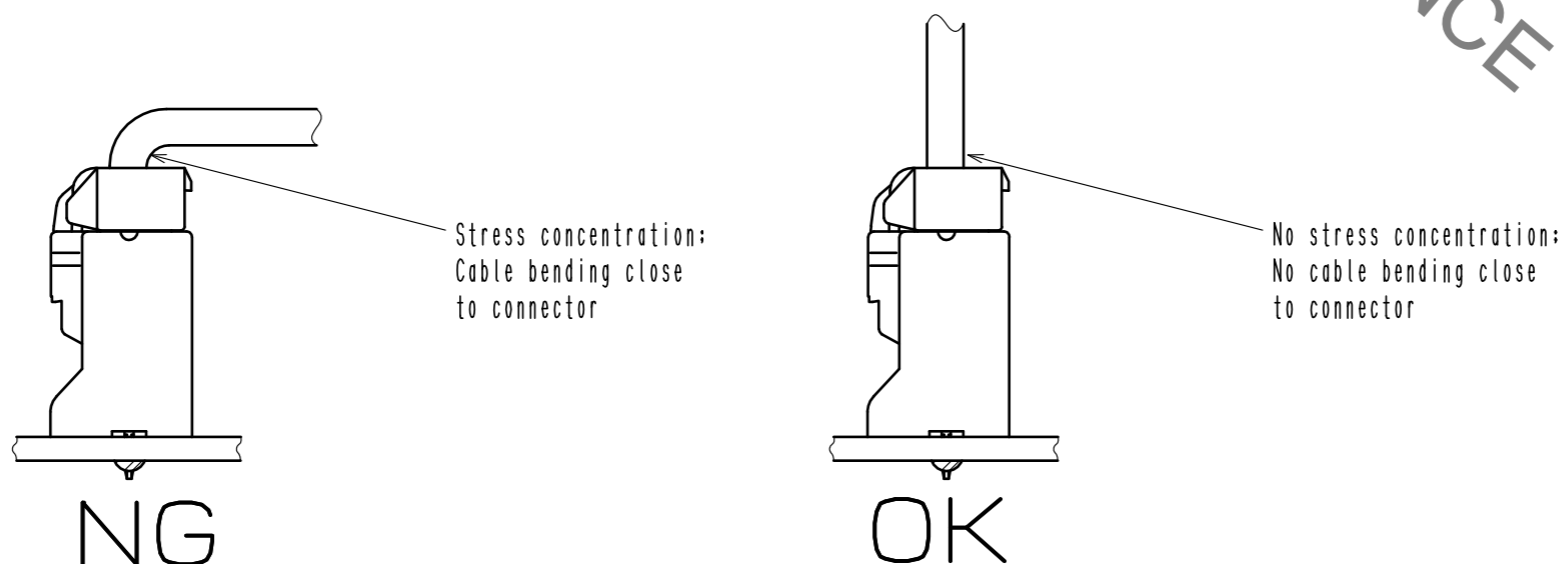
Insertion/Extraction



- 2) When it is hard to extract, please lightly insert the connector beforehand and then pull it with releasing the lock.
Forced extraction has a risk of connector breakage.

Notification of wiring

- 1) When using a thick cable, short cable length and bending close to the connector end, these load concentrations may cause deformation.
Please note that there is a firing risk using a deformed connector.
When installing, please refrain from stress concentration such as cable bending close to the connector end or cable twisting.



- 2) Since this product uses thick wires, a larger load is applied to the connector when inserting/extracting or routing the wires.
Please use a retainer to reduce the load on the connector.



HRS	DRAWING NO.	EDC-163202-57-00
	PART NO.	DF22-1P-7.92DSA(57)
	CODE NO.	CL0680-1013-5-57
		3/3

X-ON Electronics

Largest Supplier of Electrical and Electronic Components

Click to view similar products for [Power to the Board](#) category:

Click to view products by [Hirose](#) manufacturer:

Other Similar products are found below :

[6450552-7](#) [6643429-1](#) [6646040-2](#) [6766604-1](#) [120959-1](#) [1393557-2](#) [1393532-2](#) [1393532-3](#) [1393532-4](#) [1393557-1](#) [1744132-7](#) [1766250-1](#)
[1892109-1](#) [1-6450850-6](#) [1-6450869-6](#) [1645526-2](#) [2005243-2](#) [377-0020-11130](#) [MC116N](#) [TE34-12-16P-F0](#) [51700-10201602AALF](#) [51970-004](#) [5-6450830-6](#) [4-6600333-3](#) [10125416-4050LF](#) [10130248-005LF](#) [6600320-3](#) [IPBT-103-H1-T-S-RA](#) [1888123-2](#) [6766605-1](#) [701-15-02109](#)
[6450810-7](#) [46437-1112](#) [6450813-2](#) [6450842-4](#) [10108877-R24403SLF](#) [1645523-1](#) [PSS-06-01-T-S](#) [FWS-03-04-T-S](#) [51760-10301603ABLF](#)
[MDF6-TA2022HC](#) [FWS-05-01-T-S](#) [51720-10206002AALF](#) [QE-POL-KEY](#) [FWS-08-01-T-S](#) [698-0075-04](#) [6651670-1](#) [MC120N](#) [2-1600788-6](#)
[1761385-3](#)