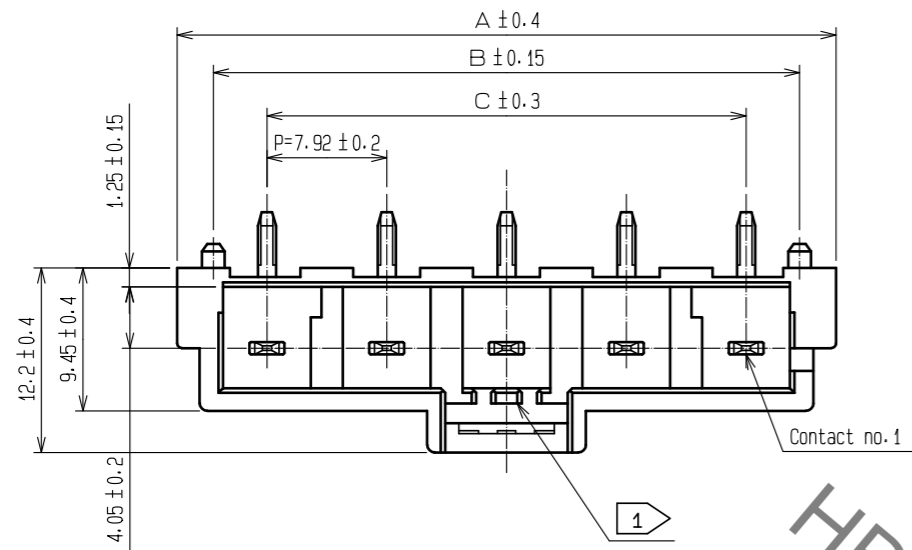
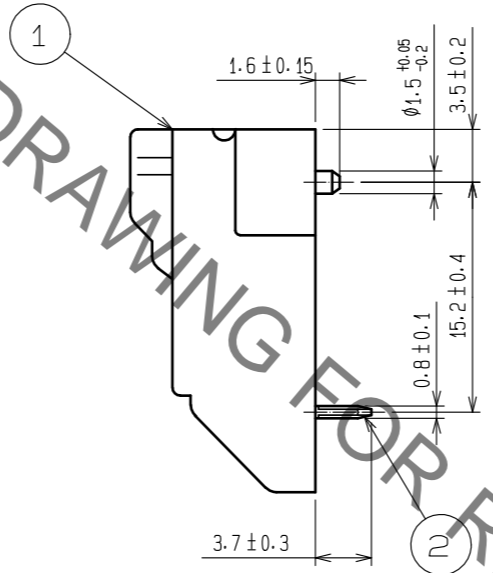
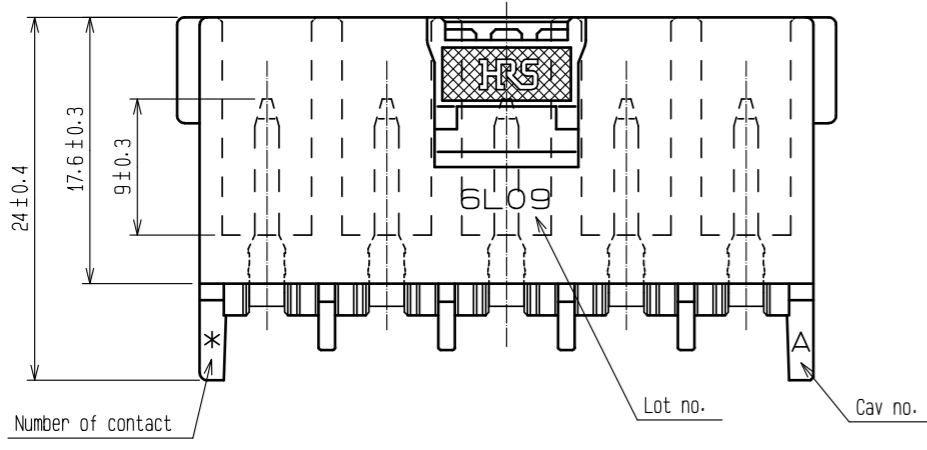
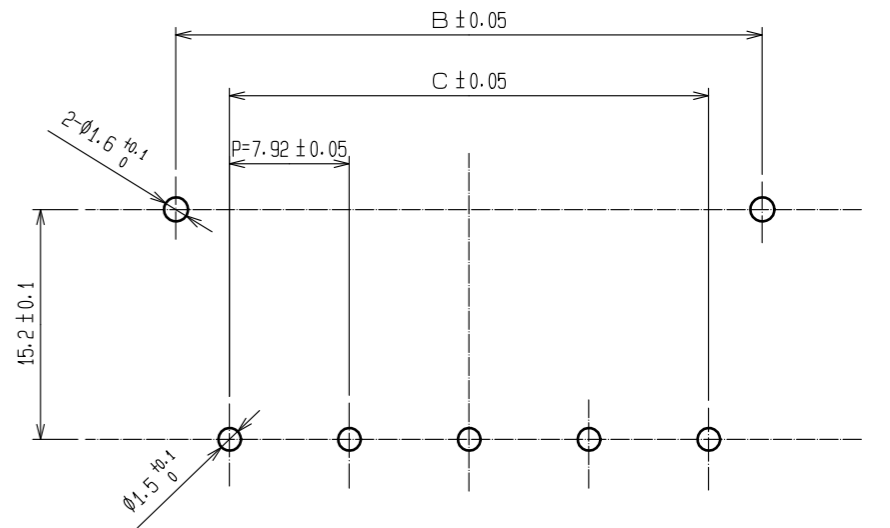


Jan.1.2022 Copyright 2022 HIROSE ELECTRIC CO., LTD. All Rights Reserved.
In case of consideration for using Automotive equipment / device which demand high reliability, kindly contact our sales window correspondents.

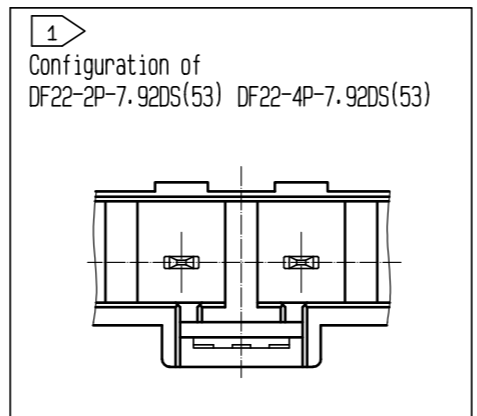
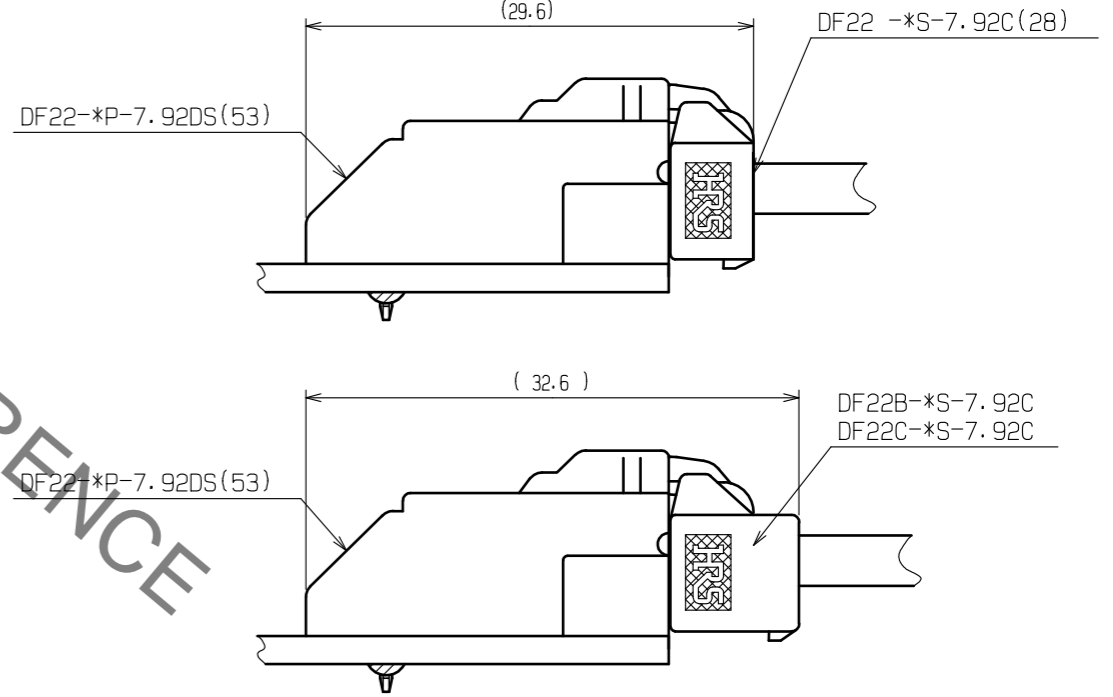


Part no.	Code no.	Number of contact	A	B	C
DF22-2P-7.92DS(53)	CL680-1008-5-53	2	19.80	15.00	7.92
DF22-3P-7.92DS(53)	CL680-1009-8-53	3	27.72	22.92	15.84
DF22-4P-7.92DS(53)	CL680-1010-7-53	4	35.64	30.84	23.76
DF22-5P-7.92DS(53)	CL680-1011-0-53	5	43.56	38.76	31.68

Recommended PCB layout (PCB thickness:1.6mm)



Application diagram



Notes 1) TWO AND FOUR CONTACTS ARE DIFFERENT SHAPE AS SHOWN.
2. UL (File no. E52653)
C-UL (File no. E52653)
TUV (Certificate no. R9950703)



3:PER PACK:100PIECES

NO.	MATERIAL	FINISH . REMARKS	NO.	MATERIAL	FINISH . REMARKS
1	Polyamide	Natural (beige), UL94V-0	2	Copper alloy	Contact area:Gold plating 0.2μm min Lead area:Tin plating 1μm min Under plating:Nickel plating 1μm min Other:Nickel plating 1μm min

UNITS	SCALE	COUNT	DESCRIPTION OF REVISIONS	DESIGNED	CHECKED	DATE
mm	2 : 1	△	APPROVED : HS. OKAWA 20200309			
			CHECKED : SZ. ONO 20200309			
			DESIGNED : SN. MIWA 20200309			
			DRAWN : DS. HIROWATARI 20200306			

DRAWING NO.	PART NO.	CODE NO.
EDC-163718-53-00	DF22-*P-7.92DS(53)	CL680-

Jan.1.2022 Copyright 2022 HIROSE ELECTRIC CO., LTD. All Rights Reserved.
In case of consideration for using Automotive equipment / device which demand high reliability, kindly contact our sales window correspondents.

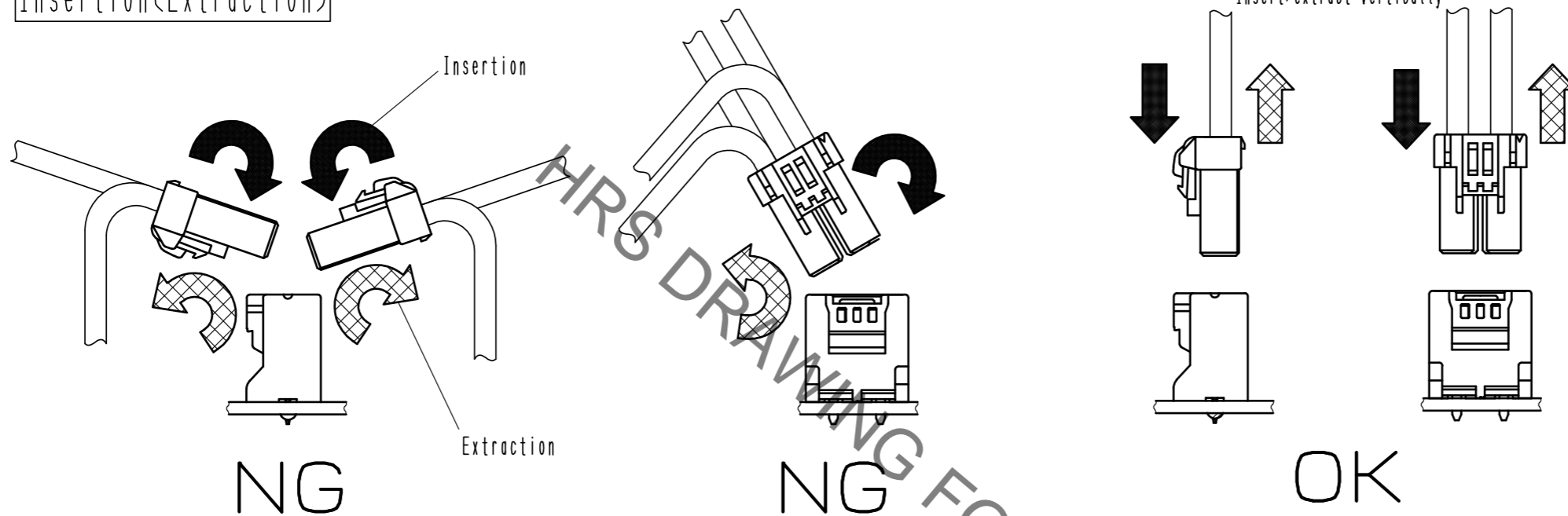
Precautions

Notification for Insertion Extraction

- 1) Please insert(extract) the crimping socket straight to the mating connector.
Insertion(extraction) at tilted angles applies load concentration to the connector end and may cause deformation (at connection area, socket and header case, etc). There is firing risk using this kind of deformed connector.



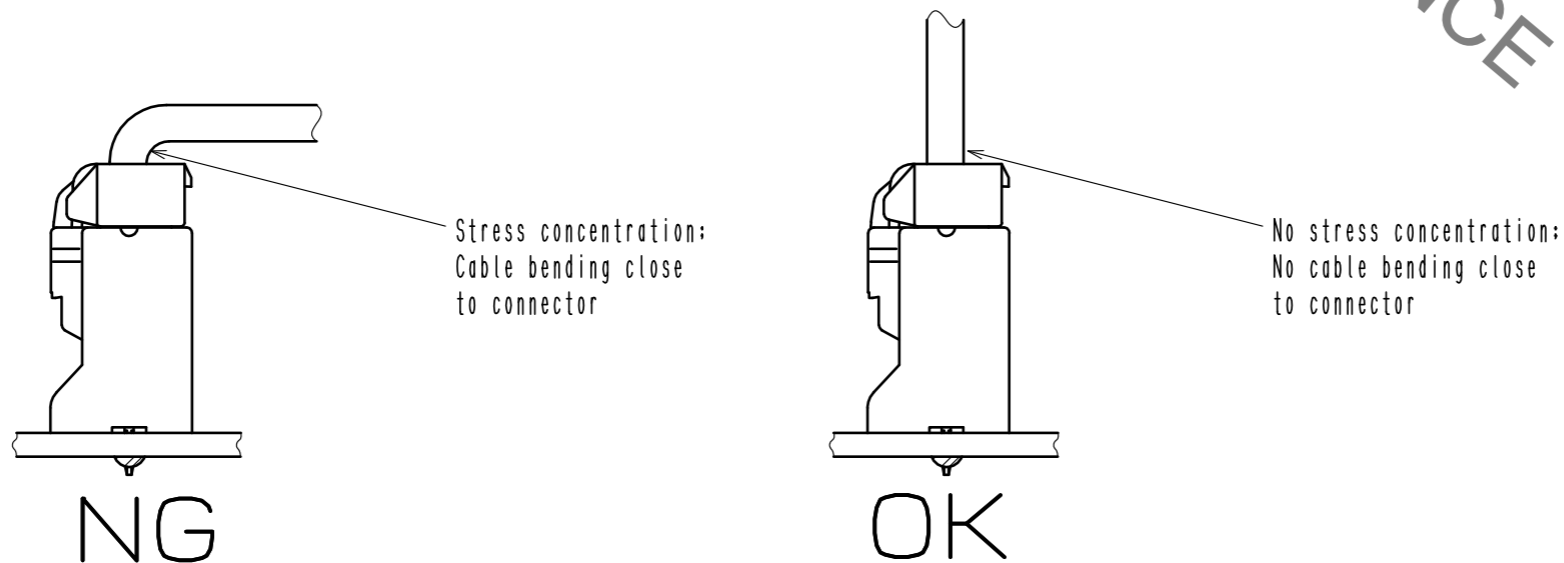
Insertion(Extraction)



- 2) When it is hard to extract, please lightly insert the connector beforehand and then pull it with releasing the lock.
Forced extraction has a risk of connector breakage.

Notification of wiring

- 1) When using a thick cable, short cable length and bending close to the connector end, these load concentration may cause deformation.
Please note that there is firing risk using deformed connector.
When installing, please refrain from stress concentration such as cable bending close to the connector end or cable twisting.



- 2) Since this product uses thick wires, a larger load is applied to the connector when inserting/extracting or routing the wires.
Please use a retainer to reduce the load on the connector.



HRS	DRAWING NO.	EDC-163718-53-00		2/2
	PART NO.	DF22-*P-7. 92DS(53)		
	CODE NO.	CL680-		

X-ON Electronics

Largest Supplier of Electrical and Electronic Components

Click to view similar products for [Power to the Board](#) category:

Click to view products by [Hirose](#) manufacturer:

Other Similar products are found below :

[6450552-7](#) [6643429-1](#) [6646040-2](#) [6766604-1](#) [120959-1](#) [1393557-2](#) [1393532-2](#) [1393532-3](#) [1393532-4](#) [1393557-1](#) [1744132-7](#) [1766250-1](#)
[1892109-1](#) [1-6450850-6](#) [1-6450869-6](#) [1645526-2](#) [2005243-2](#) [377-0020-11130](#) [MC116N](#) [TE34-12-16P-F0](#) [51700-10201602AALF](#) [51970-004](#) [5-6450830-6](#) [4-6600333-3](#) [10125416-4050LF](#) [10130248-005LF](#) [6600320-3](#) [IPBT-103-H1-T-S-RA](#) [1888123-2](#) [6766605-1](#) [701-15-02109](#)
[6450810-7](#) [46437-1112](#) [6450813-2](#) [6450842-4](#) [10108877-R24403SLF](#) [1645523-1](#) [PSS-06-01-T-S](#) [FWS-03-04-T-S](#) [51760-10301603ABLF](#)
[MDF6-TA2022HC](#) [FWS-05-01-T-S](#) [51720-10206002AALF](#) [QE-POL-KEY](#) [FWS-08-01-T-S](#) [698-0075-04](#) [6651670-1](#) [MC120N](#) [2-1600788-6](#)
[1761385-3](#)