

Sep.1.2021 Copyright 2021 HIROSE ELECTRIC CO., LTD. All Rights Reserved.
In case of consideration for using Automotive equipment / device which demand high reliability, kindly contact our sales window correspondents.

COUNT	DESCRIPTION OF REVISIONS	BY	CHKD	DATE	COUNT	DESCRIPTION OF REVISIONS	BY	CHKD	DATE
2	DIS-H-002388	T.Y	T.M	07.08.27					

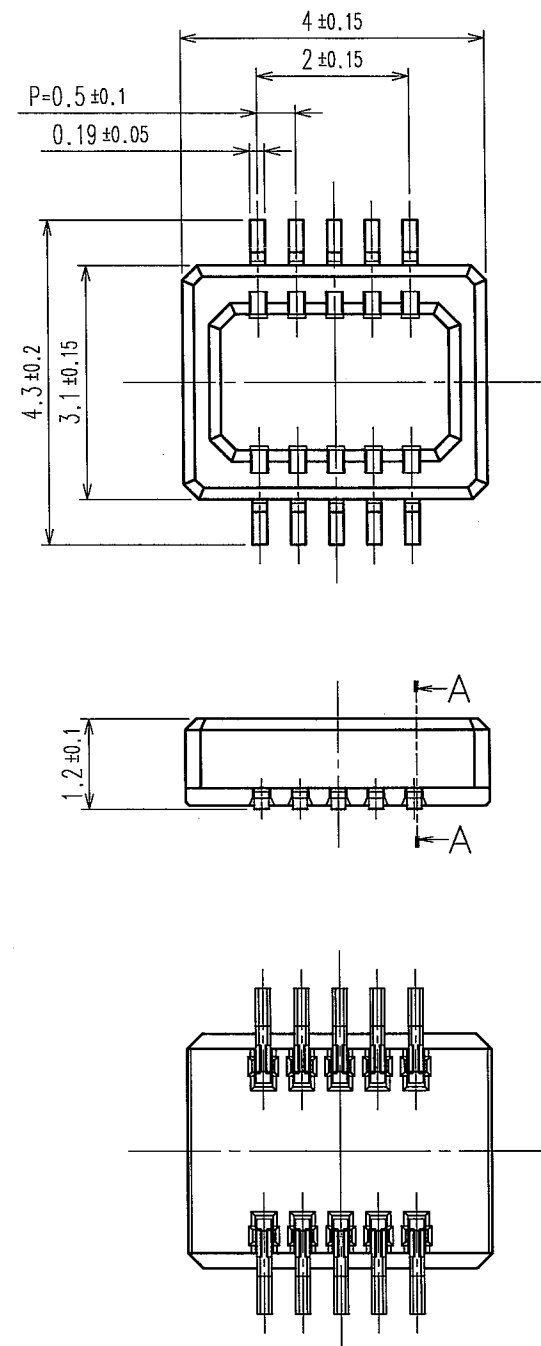


Fig.1 : RECOMMENDED PATTERN Fig.2 : PLATING SPECIFICATION (40:1)

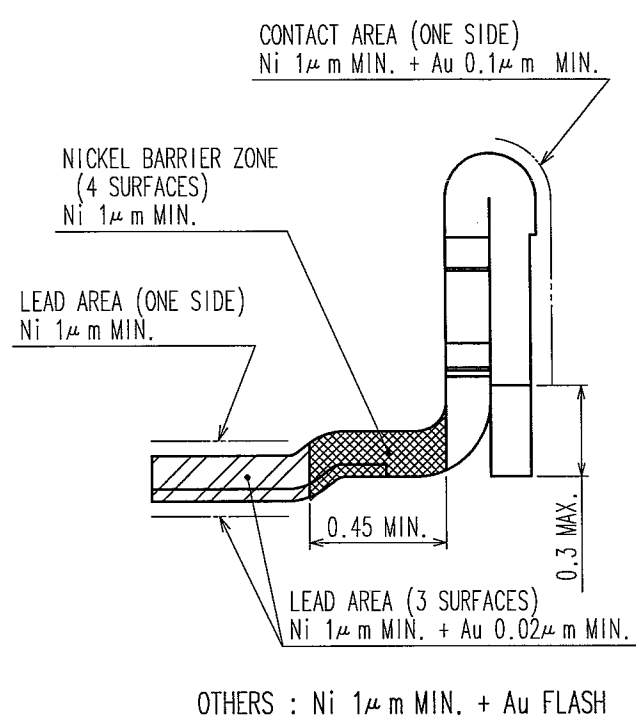
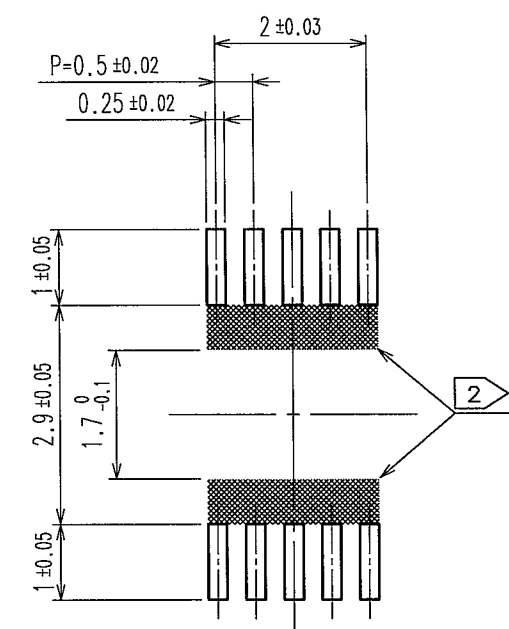
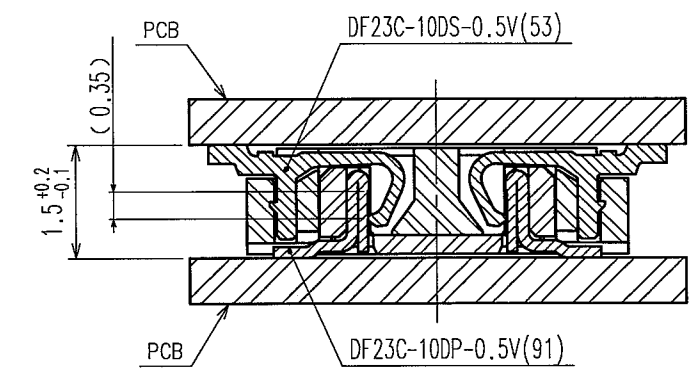


Fig.3 : A-A CROSS SECTION VIEW

Fig.4 : MATING VIEW



NOTES 1 LEAD CO-PLANARITY SHALL BE 0.1mm MAX.
 2 WHEN A PART MARKED WITH HAS A PATTERN BUT NO RESIST ON IT, TAKE CARE TO PREVENT THE CONNECTOR FROM TOUCHING IT.

2	PHOSPHOR BRONZE	3	5	PS	BLACK(PLASTIC REEL)
1	LCP	BLACK,UL94V-0	4	POLYESTER	CLEAR
			3	PS	CLEAR
NO.	MATERIAL	FINISH, REMARKS	NO.	MATERIAL	FINISH, REMARKS

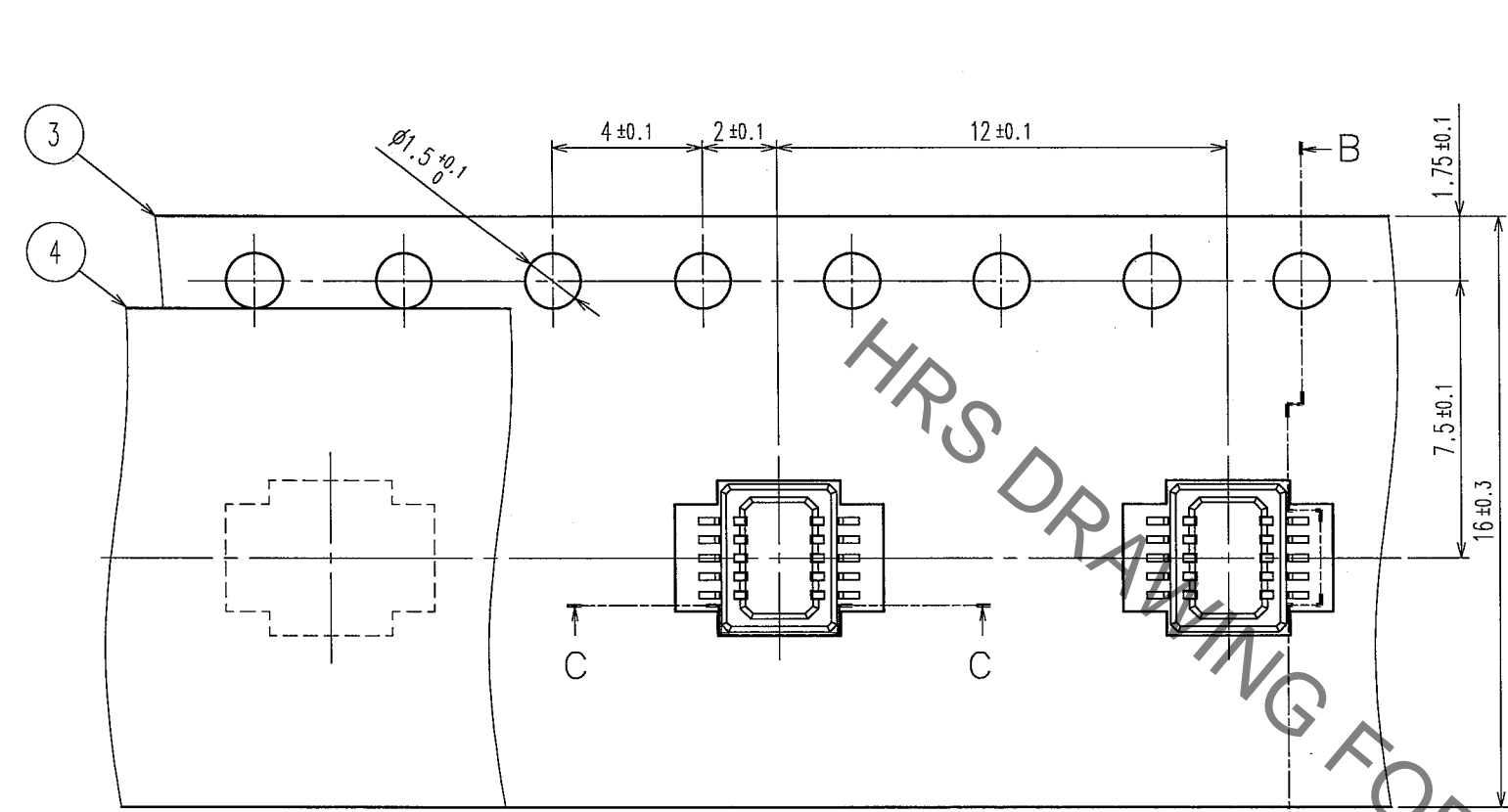
CODE NO. (OLD)	DRAWN	DESIGNED	CHECKED	APPROVED	RELEASED
	T.Yamamoto	T.Yamamoto	K.Akiyama	K.Akiyama	
	'03. 5. 8	'03. 5. 8	'03. 5. 8	'03. 5. 8	
DRAWING NO. EDC3-164008-11		PART NO. DF23C-10DP-0.5V(91)			
SCALE 10 : 1		UNITS mm		CODE NO. CL688-0806-1-91	
		HIROSE ELECTRIC CO., LTD		1/2	

HRS DRAWING FOR REFERENCE

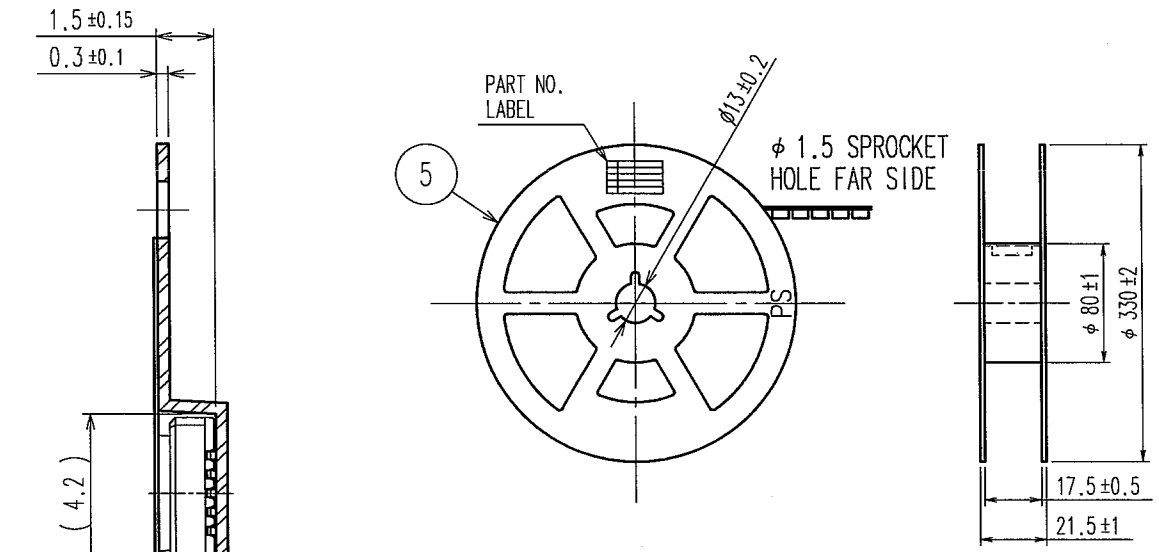
(1/2)

Sep.1.2021 Copyright 2021 HIROSE ELECTRIC CO., LTD. All Rights Reserved.
In case of consideration for using Automotive equipment / device which demand high reliability, kindly contact our sales window correspondents.

COUNT	DESCRIPTION OF REVISIONS	BY	CHKD	DATE	COUNT	DESCRIPTION OF REVISIONS	BY	CHKD	DATE



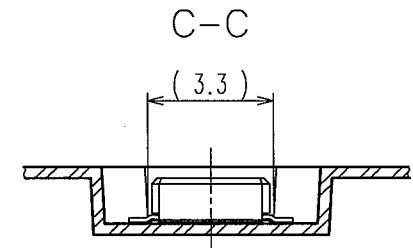
△ Fig.6 : REEL DIMENSIONS (FREE)



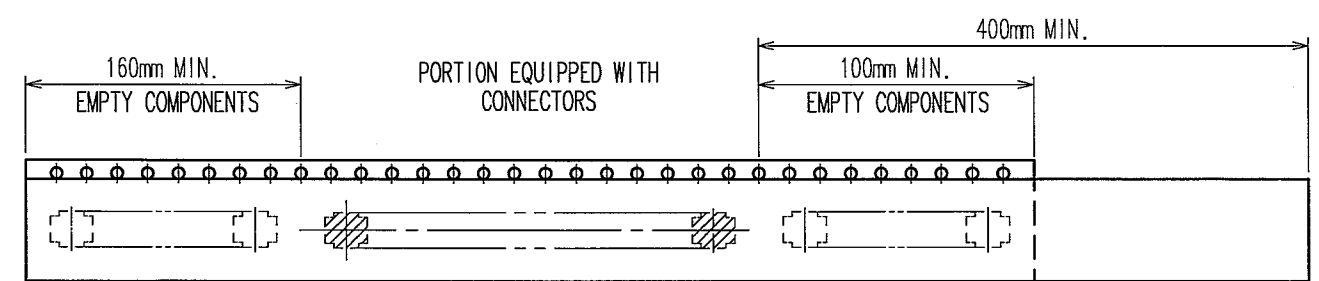
◇ 6 DETAIL OF PART NO. LABEL

DATE OF MANUFACTURED	** * * *
CODE NO.	CL688-0806-1-91
PART NO.	DF23C-10DP-0.5V(91)
QUANTITY	3000
SUPPLIER	HIROSE ELECTRIC CO.,LTD.

DIRECTION OF UNREELING →



- NOTES
- 3 PER REEL 3000 CONNECTORS
 - 4 THE DIMENSIONS IN PARENTHESES ARE FOR REFERENCE
 - ◇ 5 REFER TO JIS C 0806 (PACKAGING OF COMPONENTS FOR AUTOMATIC HANDLING)
 - ◇ 6 DETAIL OF PART NO. LABEL IS WRITTEN IN JAPANESE.



◇ 5 Fig.5 : TAPING

CODE NO. (OLD)	DRAWN	DESIGNED	CHECKED	APPROVED	RELEASED
	T.Yamamoto	T.Yamamoto	K.Akiyama	K.Akiyama	
	'03. 5. 8	'03. 5. 8	'03. 5. 8	'03. 5. 8	
DRAWING NO.	PART NO.				
EDC3-164008-11	DF23C-10DP-0.5V(91)				
SCALE	CODE NO.				
5 : 1	CL688-0806-1-91				
UNITS					
mm					

X-ON Electronics

Largest Supplier of Electrical and Electronic Components

Click to view similar products for [Board to Board & Mezzanine Connectors](#) category:

Click to view products by [Hirose](#) manufacturer:

Other Similar products are found below :

[589158040000018](#) [FCN-230C068-11](#) [FCN-268F012-G/BD](#) [FCN-268F036-G/BD](#) [FCN-268M012-G/0D](#) [FCN-268M024-G/1D](#) [FCN-723J004/1](#) [MIS-048-01-F-D-DP-K](#) [832-10-034-10-001000](#) [FX4C-80S-1.27DSA](#) [FCN-214Q030-G/0](#) [FCN-234P048-G/0](#) [FCN-235D050-G/C](#) [2-22603-0](#) [AXG720047](#) [5031084030](#) [MIT-114-03-F-D-K](#) [55323-1519](#) [YFT-20-05-H-03-SB-K](#) [503308-3040](#) [026-6203-PDB](#) [027-6203-PDB](#) [069159702701000](#) [10123981-102LF](#) [101A10019X](#) [55650-0588-C](#) [68682-310LF](#) [68684-306](#) [75140-7012](#) [87471-650](#) [YTW-30-07-H-Q-410-140](#) [194261-1](#) [FCN-268F024-G0D](#) [10124054-515LF](#) [68685-603](#) [8-1616154-3](#) [MIS-019-01-F-D](#) [FCN-268M024-G/3D](#) [FCN-268M036-G/BD](#) [20021832-06016C1LF](#) [KX15-20KLDL-E1000E](#) [AXE810124](#) [FCN-214J100-G/0](#) [FCN-230C068-E/S](#) [AXE812124](#) [AXE816124](#) [AXE720127](#) [354184](#) [MIT-019-04-F-D-K](#) [P50-028-DDS-TG](#)