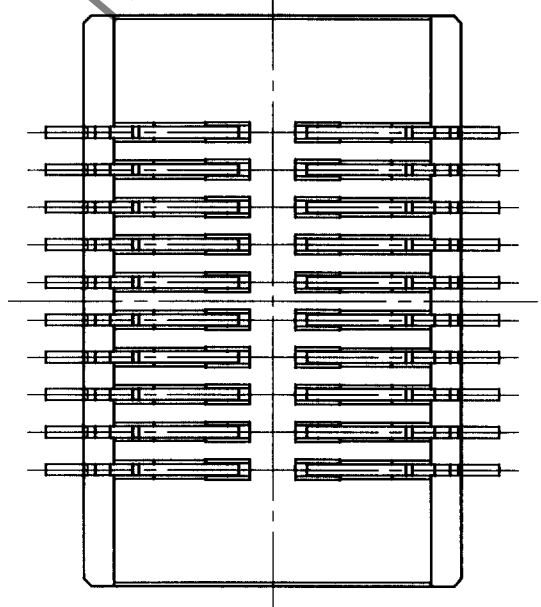
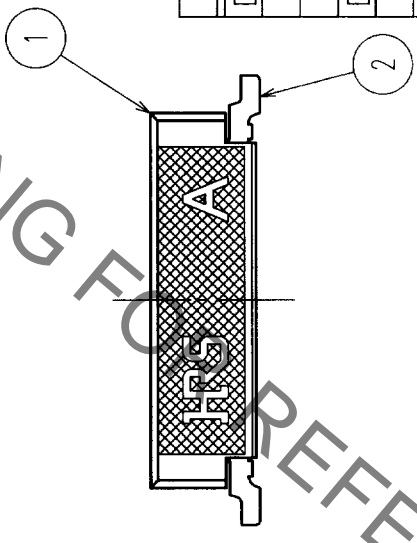
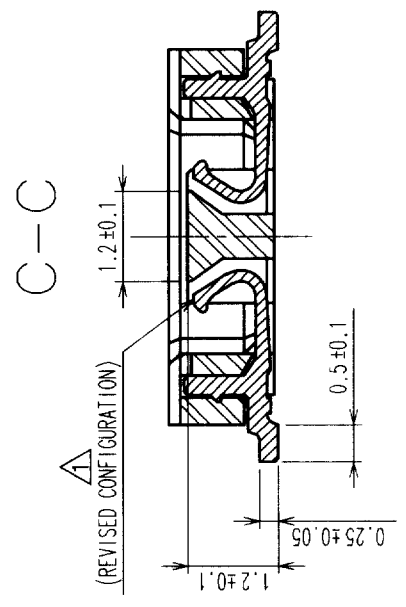
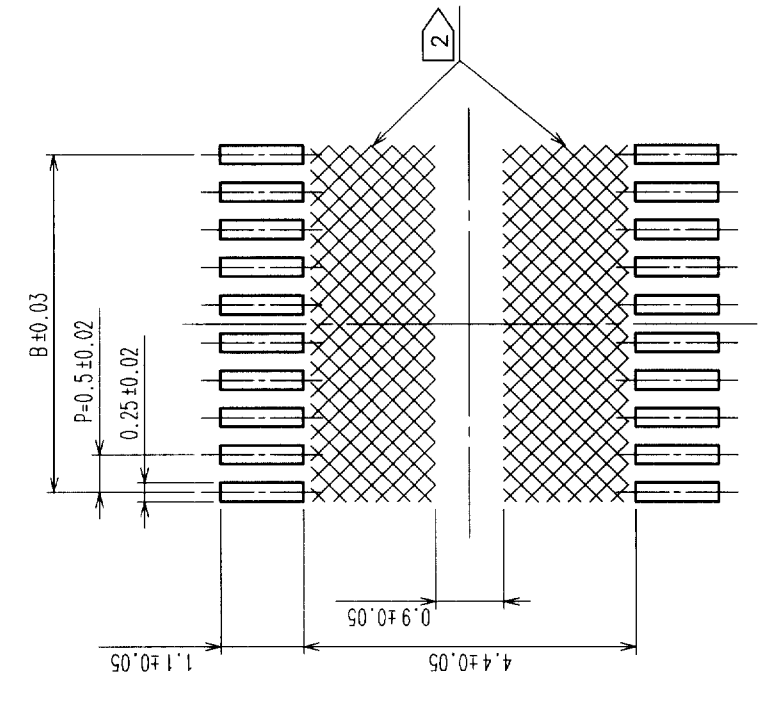


| COUNT | DESCRIPTION OF REVISIONS | BY | CHKD | DATE | COUNT | DESCRIPTION OF REVISIONS | BY | CHKD | DATE |
|-------|--------------------------|---------|------|----------|-------|--------------------------|----|------|------|
| 7 | RE-H-04872 | T.G.K.A | | 02.02.13 | | | | | |
| | | | | | | | | | |
| | | | | | | | | | |

RECOMMENDED PATTERN



| PART NO. | CODE NO. | NUMBER OF CONTACT | A | B |
|---------------------|-----------------|-------------------|-----|-----|
| DF23C-10DS-0.5V(53) | CL688-0306-9-53 | 10 | 5.1 | 2.0 |
| DF23C-18DS-0.5V(53) | CL688-0308-4-53 | 18 | 7.1 | 4.0 |
| | | | | |
| | | | | |

NOTES1: LEAD CO-PLANARITY SHALL BE 0.1 mm MAX.
 2: WHEN A PART MARKED WITH HAS A PATTERN BUT NO RESIST ON IT, TAKE CARE TO PREVENT THE CONNECTOR FROM TOUCHING IT.

| NO. | MATERIAL | FINISH, REMARKS | NO. | MATERIAL | FINISH, REMARKS |
|-----|-----------------|-----------------|-----|-----------|-----------------|
| 2 | PHOSPHOR BRONZE | GOLD PLATED | 4 | POLYESTER | CLEAR |
| 1 | LCP | BLACK, UL94V-0 | 3 | PS | CLEAR |

| CODE NO. (OLD) | DRAWN | DESIGNED | CHECKED | APPROVED | RELEASED |
|----------------|-----------|-----------|-----------|------------|----------|
| | T.Goi | T.Goi | K.Akiyama | K.Katayose | |
| | '01. 5.26 | '01. 5.26 | '01. 5.31 | '01. 5.31 | |

| DRAWING NO. | PART NO. |
|----------------|--------------------|
| EDC3-163543-03 | DF23C-*DS-0.5V(53) |

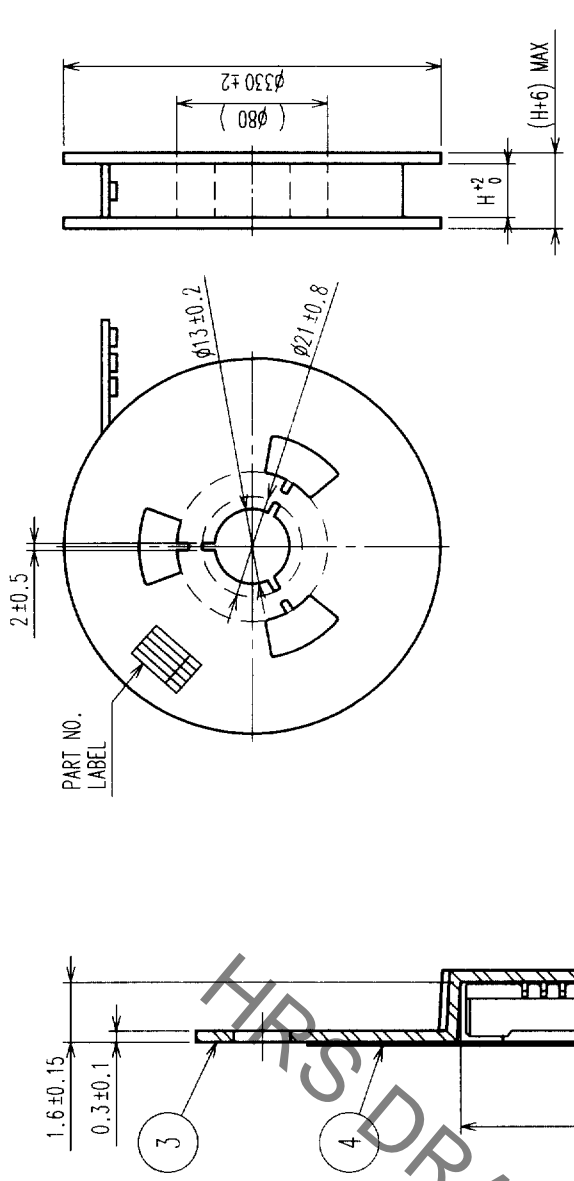
| SCALE | UNITS | CODE NO. |
|--------|-------|----------|
| 10 : 1 | mm | CL688- |

| | |
|----|--|
| TO | |
| | |
| | |

| COUNT | DESCRIPTION OF REVISIONS | BY | CHKD | DATE | COUNT | DESCRIPTION OF REVISIONS | BY | CHKD | DATE |
|-------|--------------------------|----|------|------|-------|--------------------------|----|------|------|
| △ | | | | | △ | | | | |
| △ | | | | | △ | | | | |
| △ | | | | | △ | | | | |

| PART NO. | CODE NO. | NUMBER OF CONTACT | D | E | F | G | H |
|---------------------|-----------------|-------------------|------|---|-----|-----|------|
| DF23C-10DS-0.5V(53) | CL688-0306-9-53 | 10 | 16.0 | - | 7.5 | 5.4 | 16.4 |
| DF23C-18DS-0.5V(53) | CL688-0308-4-53 | 18 | 16.0 | - | 7.5 | 7.4 | 16.4 |
| | | | | | | | |
| | | | | | | | |

STYLE AND DIMENSIONS OF REEL(FREE)



[6] DETAIL OF PART NO. LABEL

| | |
|----------------------|---------------------------|
| DATE OF MANUFACTURED | ** ** * |
| CODE NO. | CL688-****-53 |
| PART NO. | DF23C-*DS-0.5V(53) |
| QUANTITY | 3000 |
| SUPPLIER | HIROSE ELECTRIC CO., LTD. |

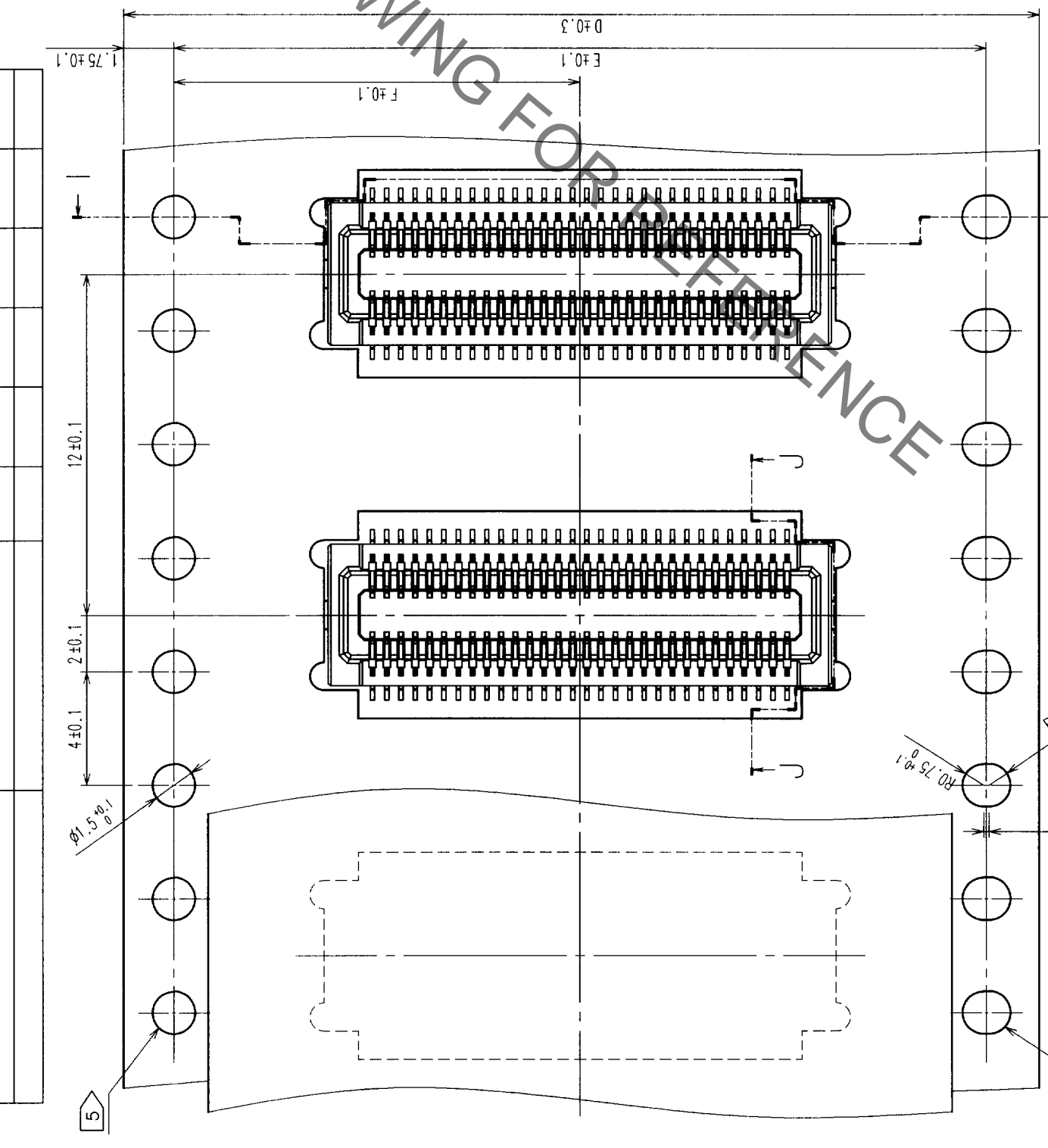
NOTE 3: 1 REEL: 3000 CONNECTORS

△ 4: AT THE BEGINNING OF REEL, 30 COMPONENTS ARE EMPTY.
 AT THE END OF REEL, 20 COMPONENTS ARE EMPTY.

[5] WHEN TAPE WIDTH IS 16 mm OR 24 mm, SPROCKET HOLES ARE PUNCHED IN UPPER SIDE OF REEL.

WHEN TAPE WIDTH IS 32 mm, SPROCKET HOLES ARE PUNCHED IN BOTH SIDE OF REEL AS SHOWN ON THIS DRAWING.

[6] DETAIL OF PART NO. LABEL IS WRITTEN IN JAPANESE.



DIRECTION OF UNREELING

(5.3)

CODE NO. (OLD)

| | | | | | | | |
|-------------|--------------------------|---------|-----------|--------------------|------------|----------|-----------|
| DESIGNED | T.Goi | CHECKED | K.Akiyama | APPROVED | K.Katayose | RELEASED | |
| DRAWN | T.Goi | DATE | '01. 5.26 | DATE | '01. 5.31 | DATE | '01. 5.31 |
| DRAWING NO. | EDC3-163543-03 | | PART NO. | DF23C-*DS-0.5V(53) | | CODE NO. | CL688- |
| SCALE | 5 : 1 | | UNITS | mm | | | |
| | HIROSE ELECTRIC CO., LTD | | | | | | |

| | |
|----|--|
| TO | |
|----|--|

X-ON Electronics

Largest Supplier of Electrical and Electronic Components

Click to view similar products for [Board to Board & Mezzanine Connectors](#) category:

Click to view products by [Hirose](#) manufacturer:

Other Similar products are found below :

[589158040000018](#) [MDF7C-18P-2.54DSA\(55\)](#) [FCN-230C068-11](#) [FCN-268F012-G/BD](#) [FCN-268F036-G/BD](#) [FCN-268M012-G/0D](#) [FCN-268M024-G/1D](#) [FCN-723J004/1](#) [MIS-048-01-F-D-DP-K](#) [832-10-034-10-001000](#) [FX4C-80S-1.27DSA](#) [FCN-214Q030-G/0](#) [FCN-234P048-G/0](#) [FCN-235D050-G/C](#) [210-93-314-41-105000](#) [2-22603-0](#) [MDF7-40DP-2.54DSA\(55\)](#) [AXG720047](#) [MIT-114-03-F-D-K](#) [55323-1519](#) [DF33-2P-3.3DSA\(24\)](#) [YFT-20-05-H-03-SB-K](#) [503308-3040](#) [026-6203-PDB](#) [027-6203-PDB](#) [069159702701000](#) [10123981-102LF](#) [101A10019X](#) [55650-0588-C](#) [68682-310LF](#) [68684-306](#) [75140-7012](#) [87471-650](#) [YTW-30-07-H-Q-410-140](#) [FCN-268F024-G0D](#) [10124054-515LF](#) [68685-603](#) [8-1616154-3](#) [MIS-019-01-F-D](#) [FCN-268M024-G/3D](#) [FCN-268M036-G/BD](#) [20021832-06016C1LF](#) [KX15-20KLDL-E1000E](#) [AXE810124](#) [FCN-214J100-G/0](#) [FCN-230C068-E/S](#) [AXE812124](#) [AXE816124](#) [AXE720127](#) [354184](#)