

Aug.1.2021 Copyright 2021 HIROSE ELECTRIC CO., LTD. All Rights Reserved.  
 In case of consideration for using Automotive equipment / device which demand high reliability, kindly contact our sales window correspondents.

COUNT	DESCRIPTION OF REVISIONS	BY	CHKD	DATE	COUNT	DESCRIPTION OF REVISIONS	BY	CHKD	DATE
3	RE-H-06510	T.Y	T.S	04.09.30					

A 1 2 3 4 5 6 7 8

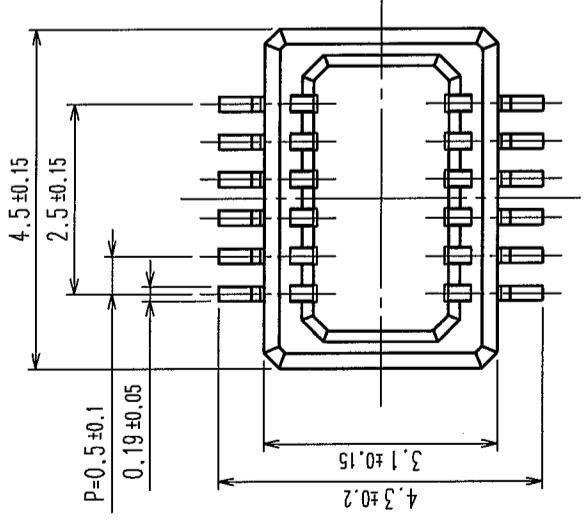


Fig.1 : PLATING SPECIFICATION (40:1) Fig.2 : RECOMMENDED PATTERN

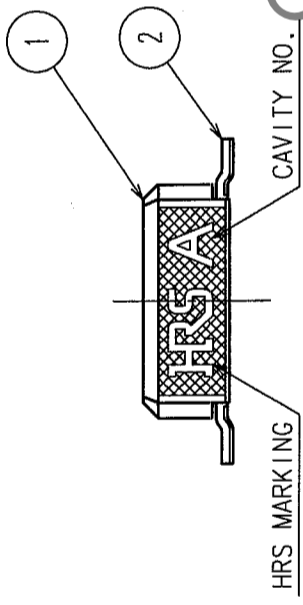
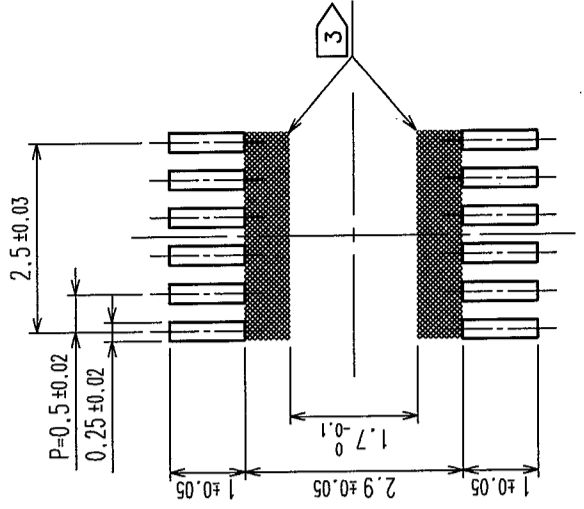
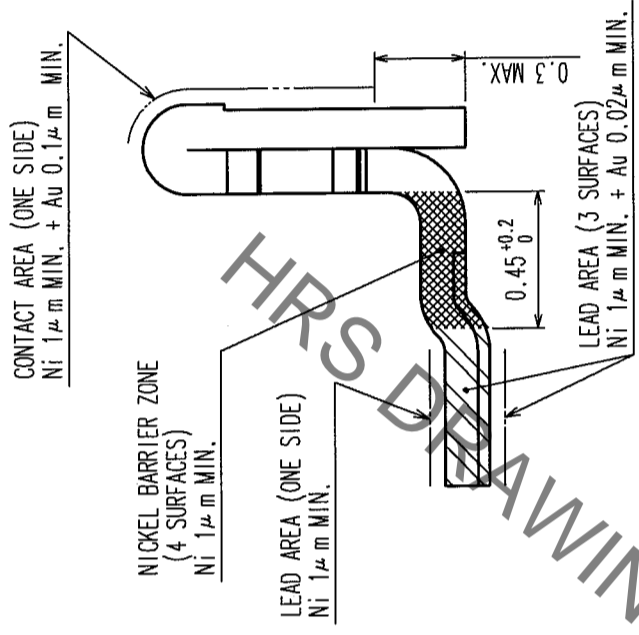


Fig.3 : A-A CROSS SECTION VIEW

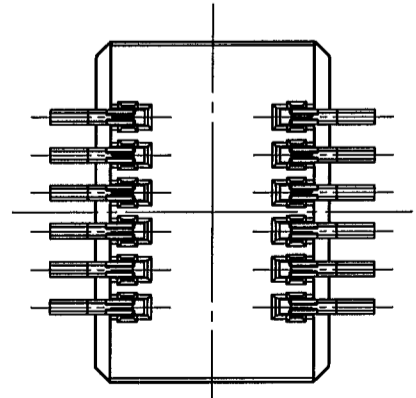
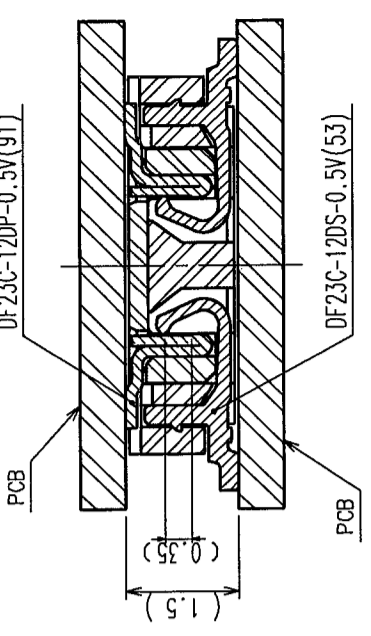


Fig.4 : MATING VIEW



NO.	MATERIAL	FINISH, REMARKS	NO.	MATERIAL	FINISH, REMARKS
2	PHOSPHOR BRONZE	BLACK, J194V-0	4	POLYESTER	CLEAR
1	LCP		3	PS	CLEAR

CODE NO. (OLD)	DRAWN	DESIGNED	CHECKED	APPROVED	RELEASED
	F.Matsuki '03. 8.25	T.Yamamoto '03. 8.25	K.Akiyama '03. 8.25	K.Akiyama '03. 8.25	

DRAWING NO.	EDC3-302689-01	PART NO.	DF23C-12DP-0.5V(91)
SCALE	10 : 1	CODE NO.	CL688-0809-0-91
UNITS	ITM		

NOTES 1 LEAD CO-PLANARITY SHALL BE 0.1mm MAX.  
 2 REFER TO Fig.1  
 3 WHEN A PART MARKED WITH ■ HAS A PATTERN BUT NO RESIST ON IT, TAKE CARE TO PREVENT THE CONNECTOR FROM TOUCHING IT.

In case of consideration for using Automotive equipment / device which demand high reliability, kindly contact our sales window correspondents.

COUNT	DESCRIPTION OF REVISIONS		DATE	CHKD	BY	CHKD	DATE
	DESCRIPTION OF REVISIONS	COUNT					

Fig.6 : REEL DIMENSIONS (FREE)

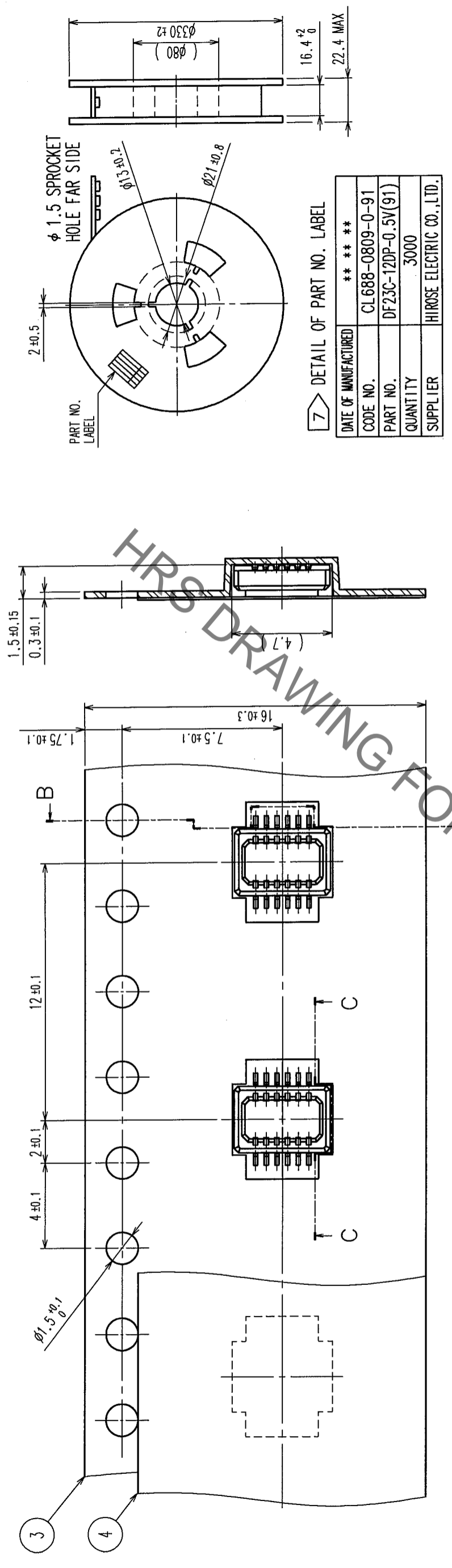
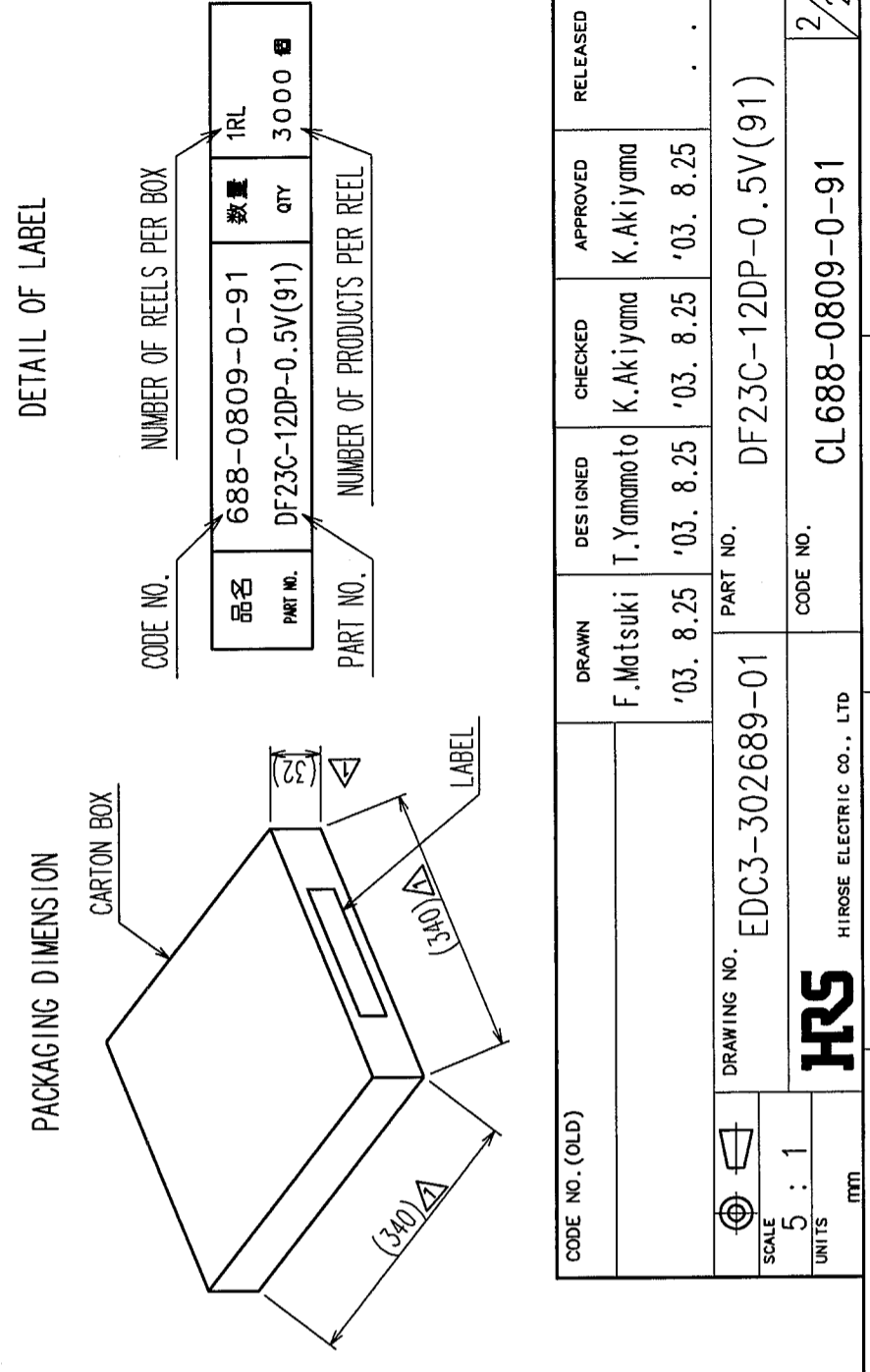
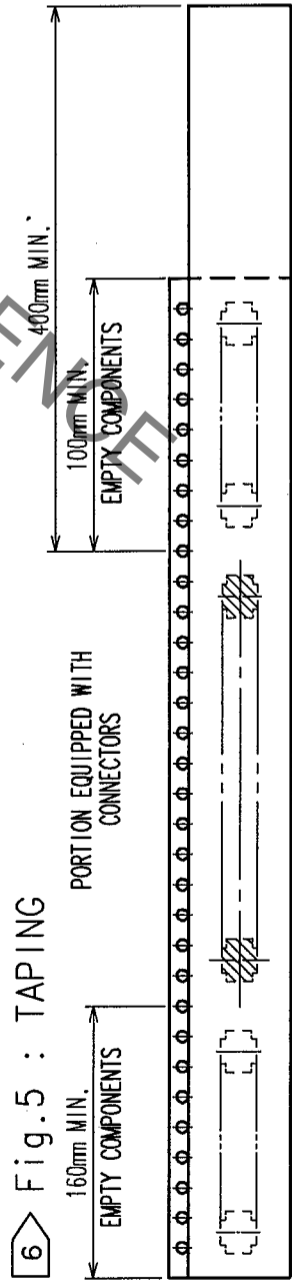


Fig.7 : PACKAGING SPECIFICATION (FREE)



NOTES  
 4 PER REEL 3000 CONNECTORS  
 5 THE DIMENSIONS IN PARENTHESES ARE FOR REFERENCE  
 6 REFER TO JIS C 0806 (PACKAGING OF COMPONENTS FOR AUTOMATIC HANDLING)  
 7 DETAIL OF PART NO. LABEL IS WRITTEN IN JAPANESE.



TRAILER  
 LEADER

CODE NO. (OLD)	DRAWN	DESIGNED	CHECKED	APPROVED	RELEASED
	F.Matsuki	T.Yamamoto	K.Akiyama	K.Akiyama	
	'03. 8.25	'03. 8.25	'03. 8.25	'03. 8.25	
	DRAWING NO. EDC3-302689-01		PART NO. DF23C-12DP-0.5V(91)		
	SCALE 5:1	CODE NO. CL688-0809-0-91			
	UNITS mm	HIROSE ELECTRIC CO., LTD.			

TO	
----	--

## X-ON Electronics

Largest Supplier of Electrical and Electronic Components

*Click to view similar products for [Board to Board & Mezzanine Connectors](#) category:*

*Click to view products by [Hirose](#) manufacturer:*

Other Similar products are found below :

[589158040000018](#) [MDF7C-18P-2.54DSA\(55\)](#) [FCN-230C068-11](#) [FCN-268F012-G/BD](#) [FCN-268F036-G/BD](#) [FCN-268M012-G/0D](#) [FCN-268M024-G/1D](#) [FCN-723J004/1](#) [MIS-048-01-F-D-DP-K](#) [832-10-034-10-001000](#) [FX4C-80S-1.27DSA](#) [FCN-214Q030-G/0](#) [FCN-234P048-G/0](#) [FCN-235D050-G/C](#) [210-93-314-41-105000](#) [2-22603-0](#) [MDF7-40DP-2.54DSA\(55\)](#) [AXG720047](#) [MIT-114-03-F-D-K](#) [55323-1519](#) [DF33-2P-3.3DSA\(24\)](#) [YFT-20-05-H-03-SB-K](#) [503308-3040](#) [026-6203-PDB](#) [027-6203-PDB](#) [069159702701000](#) [10123981-102LF](#) [101A10019X](#) [55650-0588-C](#) [68682-310LF](#) [68684-306](#) [75140-7012](#) [87471-650](#) [YTW-30-07-H-Q-410-140](#) [FCN-268F024-G0D](#) [10124054-515LF](#) [68685-603](#) [8-1616154-3](#) [MIS-019-01-F-D](#) [FCN-268M024-G/3D](#) [FCN-268M036-G/BD](#) [20021832-06016C1LF](#) [KX15-20KLDL-E1000E](#) [AXE810124](#) [FCN-214J100-G/0](#) [FCN-230C068-E/S](#) [AXE812124](#) [AXE816124](#) [AXE720127](#) [354184](#)