

Sep.1.2021 Copyright 2021 HIROSE ELECTRIC CO., LTD. All Rights Reserved.
In case of consideration for using Automotive equipment / device which demand high reliability, kindly contact our sales window correspondents.

COUNT	DESCRIPTION OF REVISIONS	BY	CHKD	DATE	COUNT	DESCRIPTION OF REVISIONS	BY	CHKD	DATE

Fig.1 : RECOMMENDED PATTERN

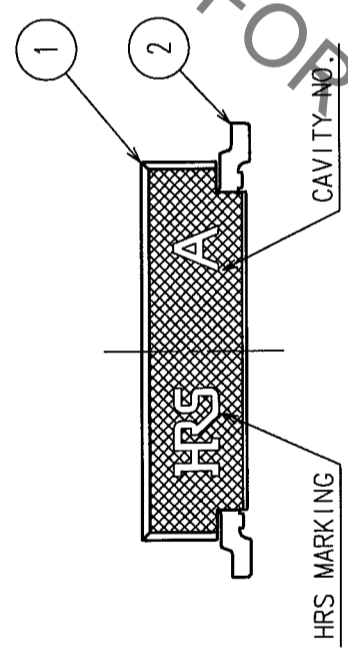
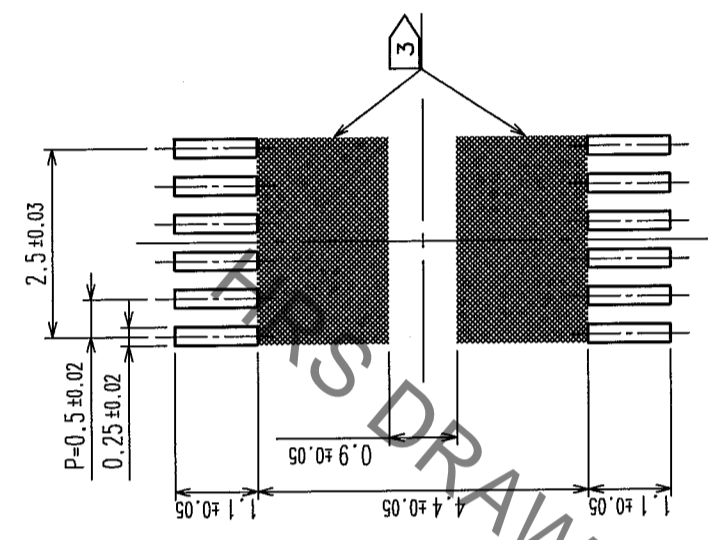


Fig.2 : A-A CROSS SECTION VIEW

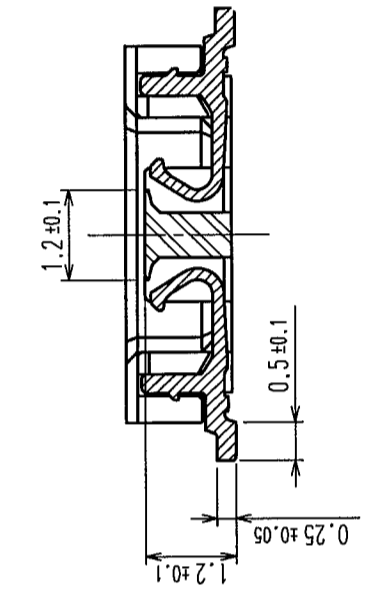


Fig.3 : MATING VIEW

NOTES 1 LEAD CO-PLANARITY SHALL BE 0.1mm MAX.
2 PLATING

CONTACT AREA : GOLD 0.1μm MIN.
LEAD AREA : GOLD 0.02μm MIN.
UNDER PLATING : NICKEL 1μm MIN.

3 WHEN A PART MARKED WITH ■ HAS A PATTERN BUT NO RESIST ON IT, TAKE CARE TO PREVENT THE CONNECTOR FROM TOUCHING IT.

NO.	MATERIAL	FINISH, REMARKS	NO.	MATERIAL	FINISH, REMARKS
2	PHOSPHOR BRONZE		4	POLYESTER	CLEAR
1	LCP	BLACK, UL94V-0	3	PS	CLEAR

CODE NO. (OLD)	DESIGNED	CHECKED	APPROVED	RELEASED
	M. Nakamoto	T. Yamamoto	T. Sakata	T. Sakata
	'04.09.30	'04.9.30	'04.9.30	'04.9.30

DRAWING NO.	PART NO.
EDC3-302690-02	DF23C-12DS-0.5V(53)

SCALE	UNITS	CODE NO.
10 : 1	mm	CL688-0309-7-53

TO

1/2

NC

Sep.1.2021 Copyright 2021 HIROSE ELECTRIC CO., LTD. All Rights Reserved.
 2 In case of consideration for using Automotive equipment / device which demand high reliability, kindly contact our sales window correspondents.

COUNT	DESCRIPTION OF REVISIONS	BY	CHKD	DATE	COUNT	DESCRIPTION OF REVISIONS	BY	CHKD	DATE

Fig.5 : REEL DIMENSIONS (FREE)

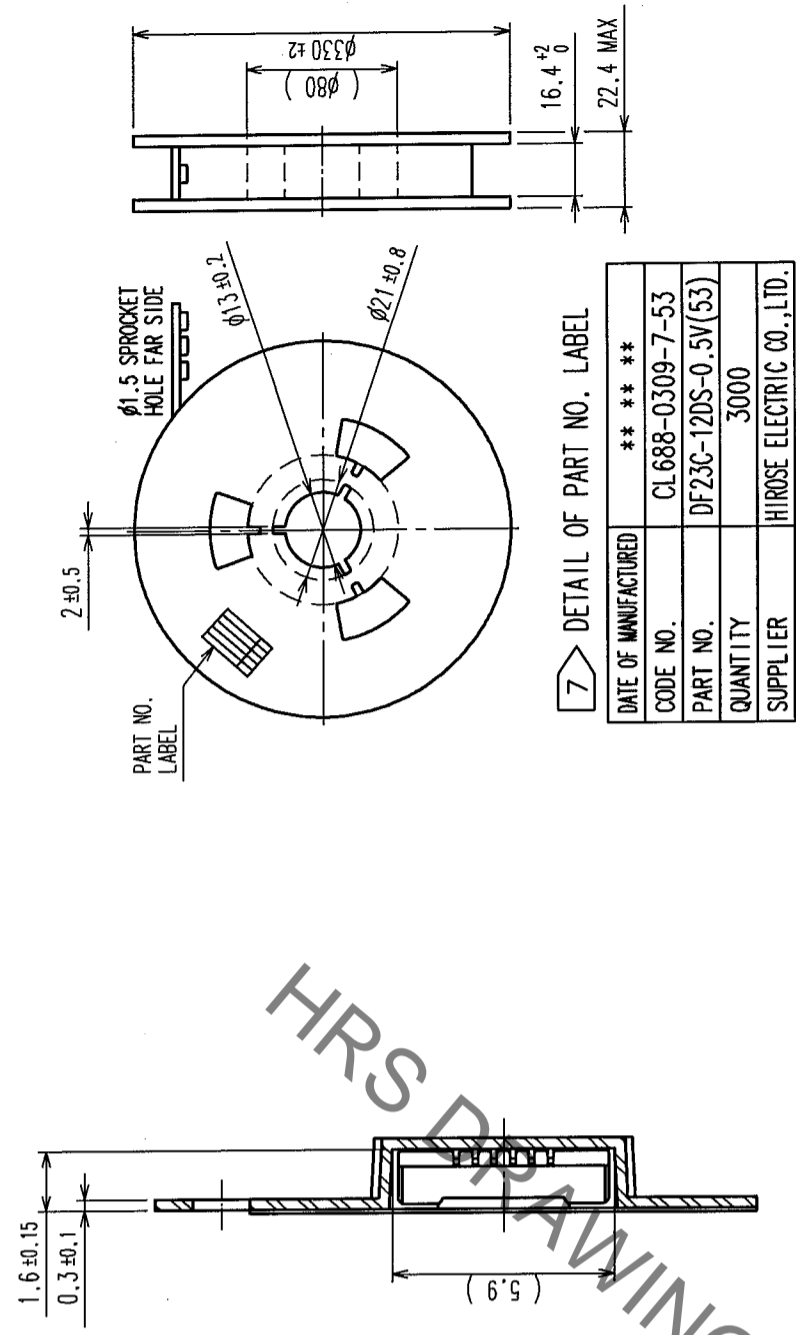


Fig.6 : PACKAGING SPECIFICATION (FREE)

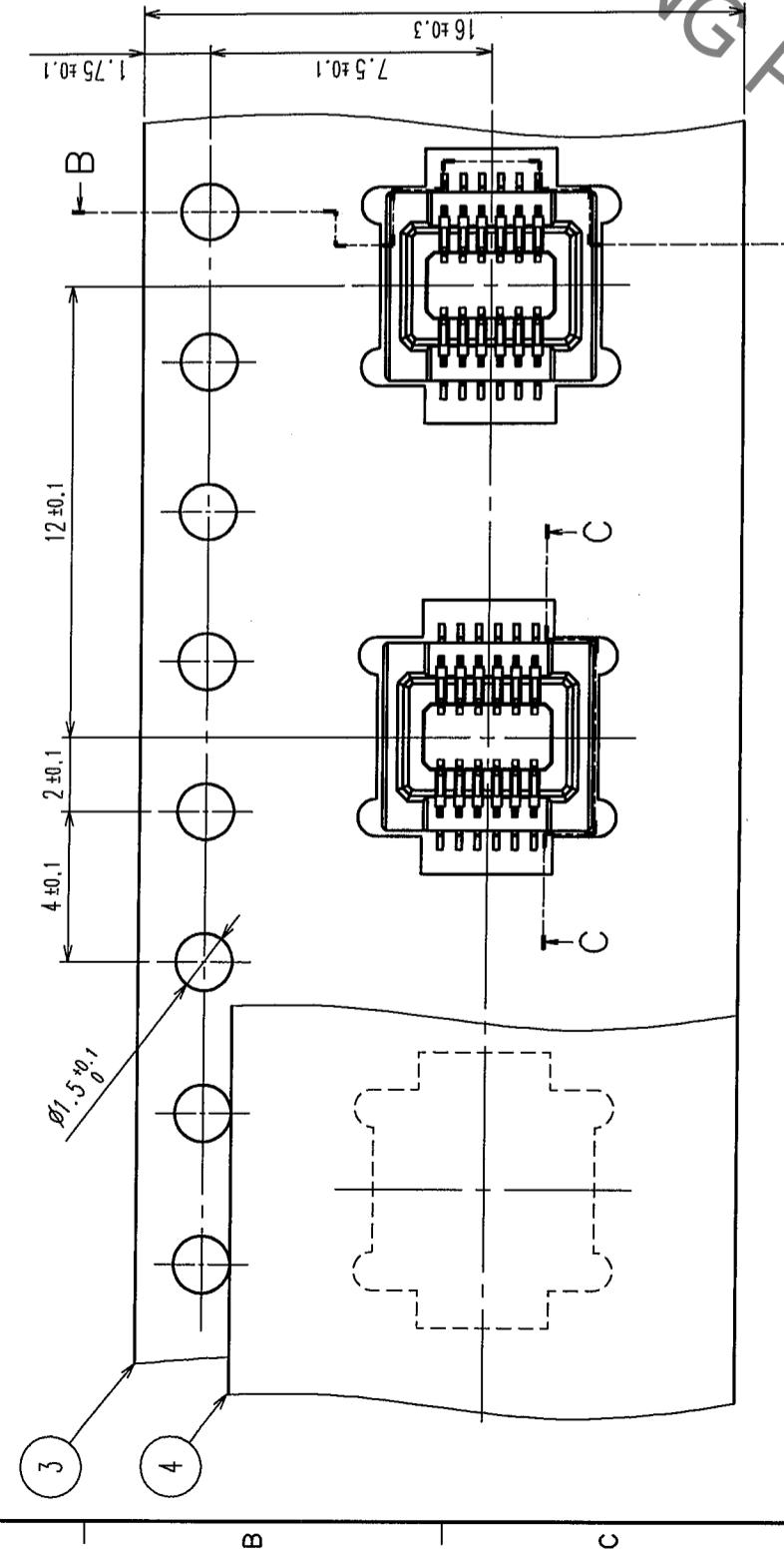
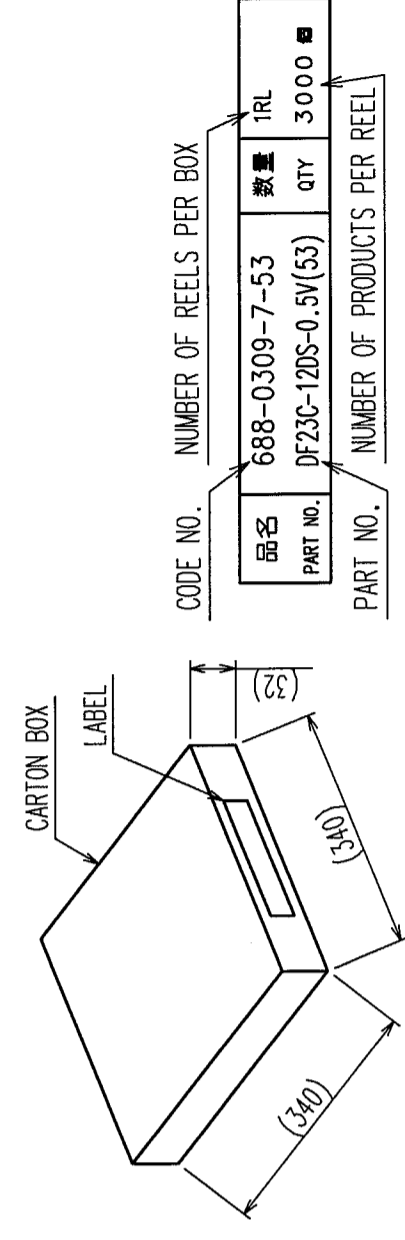


Fig.4 : TAPING

TRAILER LEADER

- NOTES 4 PER REEL 3000 CONNECTORS
- 5 THE DIMENSIONS IN PARENTHESES ARE FOR REFERENCE
- 6 REFER TO JIS C 0806 (PACKAGING OF COMPONENTS FOR AUTOMATIC HANDLING)
- 7 DETAIL OF PART NO. LABEL IS WRITTEN IN JAPANESE.

CODE NO. (OLD)	DRAWN	DESIGNED	CHECKED	APPROVED	RELEASED
	M. Nakamoto	T. Yamamoto	T. Sabeuta	T. Sabeuta	
	'04.09.30	'04.9.30	'04.9.30	'04.9.30	

DRAWING NO.	PART NO.
EDC3-302690-02	DF23C-12DS-0.5V(53)

SCALE	UNITS
5 : 1	mm

CODE NO.	CL688-0309-7-53

X-ON Electronics

Largest Supplier of Electrical and Electronic Components

Click to view similar products for [Board to Board & Mezzanine Connectors](#) category:

Click to view products by [Hirose](#) manufacturer:

Other Similar products are found below :

[589158040000018](#) [MDF7C-18P-2.54DSA\(55\)](#) [FCN-230C068-11](#) [FCN-268F012-G/BD](#) [FCN-268F036-G/BD](#) [FCN-268M012-G/0D](#) [FCN-268M024-G/1D](#) [FCN-723J004/1](#) [MIS-048-01-F-D-DP-K](#) [832-10-034-10-001000](#) [FX4C-80S-1.27DSA](#) [FCN-214Q030-G/0](#) [FCN-234P048-G/0](#) [FCN-235D050-G/C](#) [210-93-314-41-105000](#) [2-22603-0](#) [MDF7-40DP-2.54DSA\(55\)](#) [AXG720047](#) [MIT-114-03-F-D-K](#) [55323-1519](#) [DF33-2P-3.3DSA\(24\)](#) [YFT-20-05-H-03-SB-K](#) [503308-3040](#) [026-6203-PDB](#) [027-6203-PDB](#) [069159702701000](#) [10123981-102LF](#) [101A10019X](#) [55650-0588-C](#) [68682-310LF](#) [68684-306](#) [75140-7012](#) [87471-650](#) [YTW-30-07-H-Q-410-140](#) [FCN-268F024-G0D](#) [10124054-515LF](#) [68685-603](#) [8-1616154-3](#) [MIS-019-01-F-D](#) [FCN-268M024-G/3D](#) [FCN-268M036-G/BD](#) [20021832-06016C1LF](#) [KX15-20KLDL-E1000E](#) [AXE810124](#) [FCN-214J100-G/0](#) [FCN-230C068-E/S](#) [AXE812124](#) [AXE816124](#) [AXE720127](#) [354184](#)