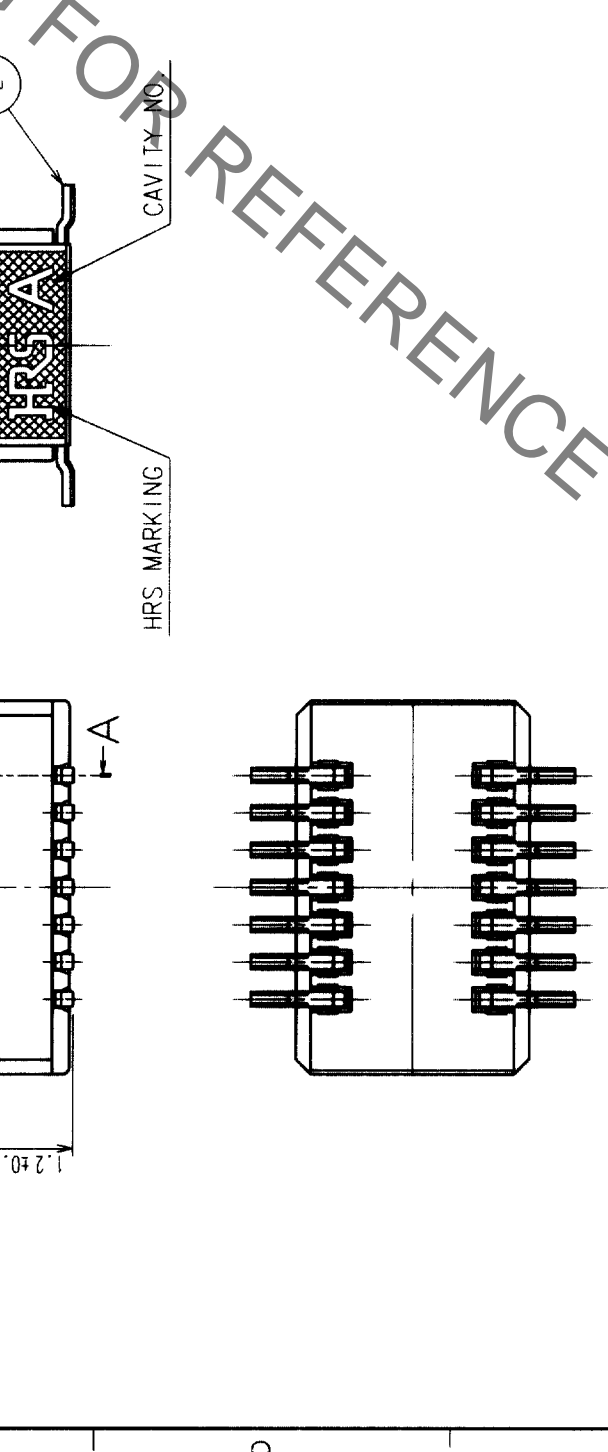
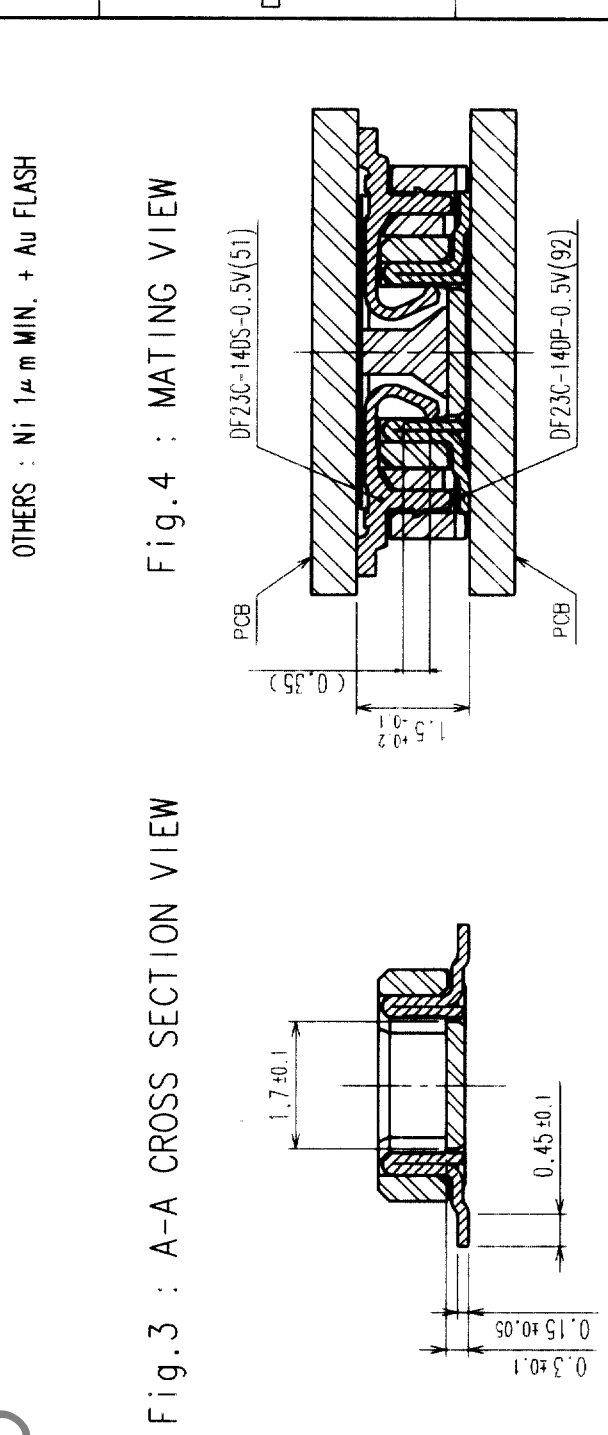
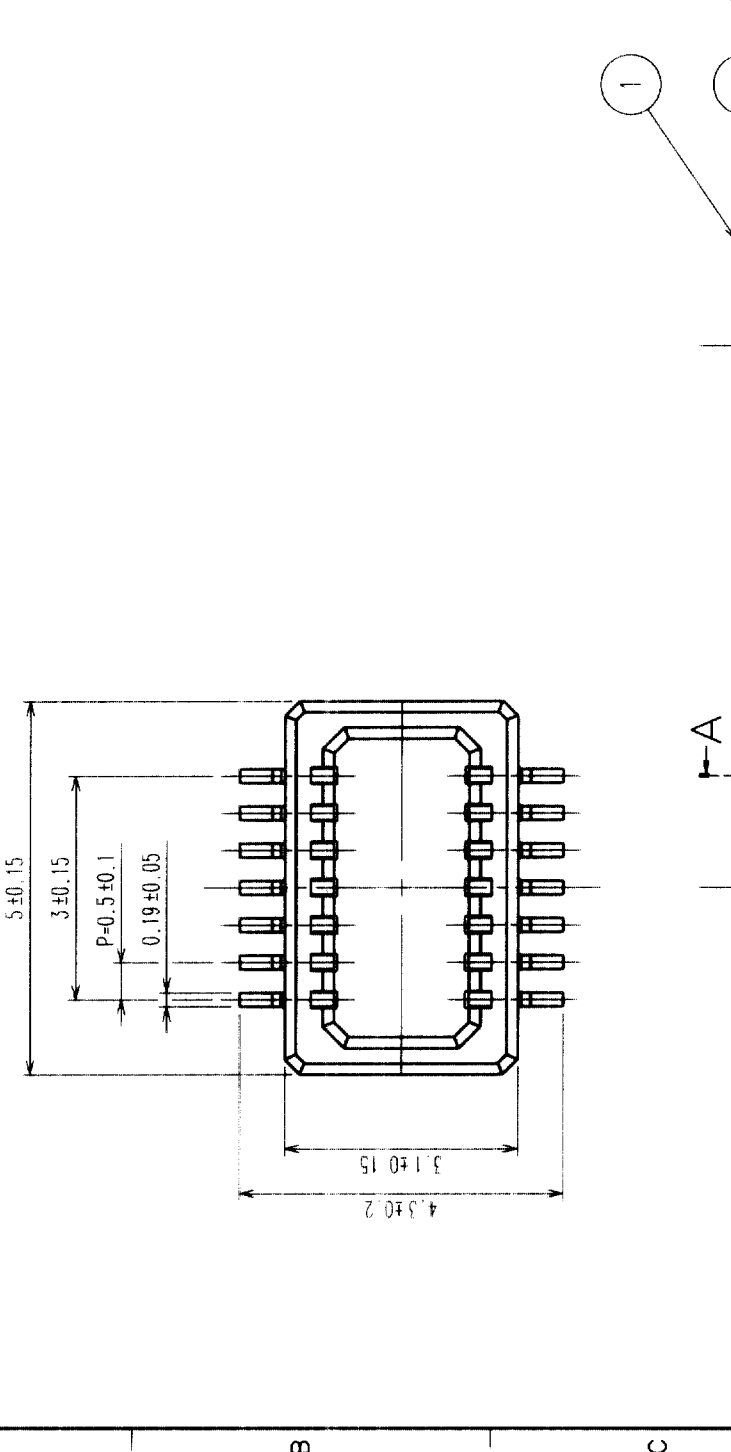
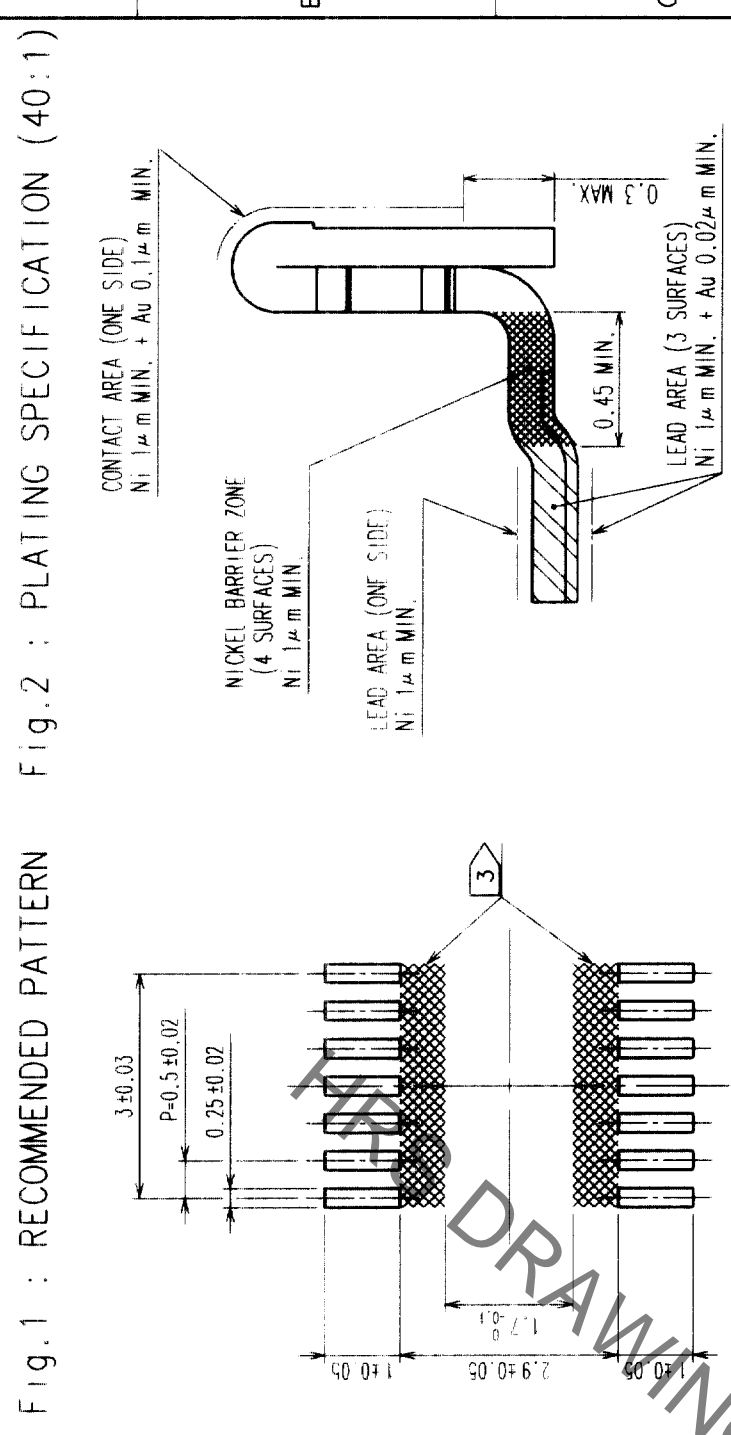


Jun.1.2021 Copyright 2021 HIROSE ELECTRIC CO., LTD. All Rights Reserved.

In case of consideration for using Automotive equipment / device which demand high reliability, kindly contact our sales window correspondents.

COUNT	DESCRIPTION OF REVISIONS	BY	CHKD	DATE	COUNT	DESCRIPTION OF REVISIONS	BY	CHKD	DATE



NOTES 1 LEAD CO-PLANARITY SHALL BE 0.1mm MAX.
 2 BLACK, UL94V-0
 3 WHEN A PART MARKED WITH HAS A PATTERN BUT NO RESIST ON IT, TAKE CARE TO PREVENT THE CONNECTOR FROM TOUCHING IT.

NO.	MATERIAL	FINISH, REMARKS	NO.	MATERIAL	FINISH, REMARKS
2	PHOSPHOR BRONZE	2	4	POLYESTER	CLEAR
1	LCP	BLACK, UL94V-0	3	PS	CLEAR

CODE NO. (OLD)	DRAWN	DESIGNED	CHECKED	APPROVED	RELEASED
	T. Yamamoto	T. Yamamoto	K. Akiyama	K. Akiyama	
	'03.10.1	'03.10.2	'03.10.2	'03.10.2	

DRAWING NO.	PART NO.
EDC3-163722-02	DF23C-14DP-0.5V(92)

SCALE	UNITS
10 : 1	mm

CODE NO.	CL
CL688-0800-5-92	1/2

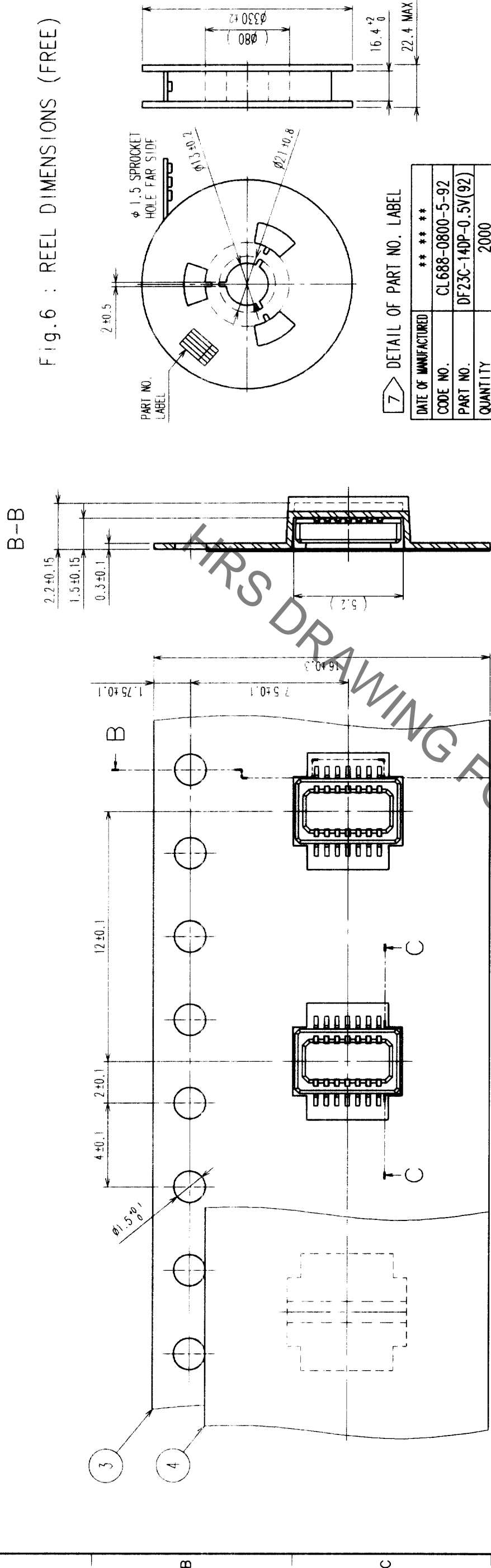
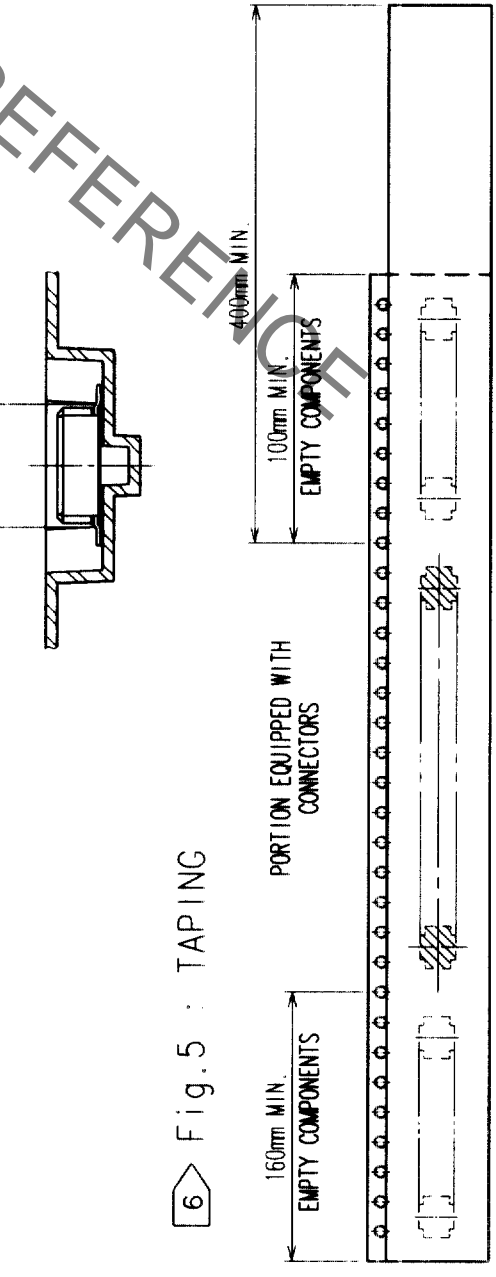


Fig. 6 : REEL DIMENSIONS (FREE)

7 > DETAIL OF PART NO. LABEL

DATE OF MANUFACTURED	*** ** *
CODE NO.	CL688-0800-5-92
PART NO.	DF23C-14DP-0.5V(92)
QUANTITY	2000
SUPPLIER	HIROSE ELECTRIC CO., LTD.

DIRECTION OF UNREELING →



6 > Fig. 5 : TAPING

TRAILER

LEADER

- NOTES
- 4 PER REEL 2000 CONNECTORS
 - 5 THE DIMENSIONS IN PARENTHESES ARE FOR REFERENCE.
 - 6 REFER TO JIS C 0806 (PACKAGING OF COMPONENTS FOR AUTOMATIC HANDLING)
 - 7 DETAIL OF PART NO. LABEL IS WRITTEN IN JAPANESE.

PACKAGING DIMENSION

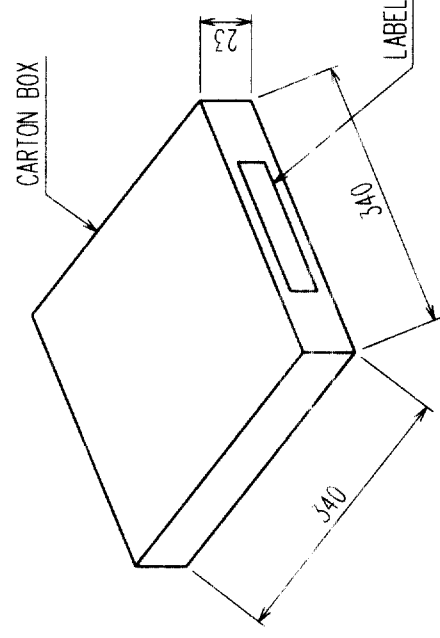


Fig. 6 : PACKAGING SPECIFICATION (FREE)

DETAIL OF LABEL

CODE NO. NUMBER OF REELS PER BOX

品名	688-0800-5-92	数量	1RL
PART NO.	DF23C-14DP-0.5V(92)	QTY	2000

PART NO. NUMBER OF PRODUCTS PER REEL

品名	688-0800-5-92	数量	1RL
PART NO.	DF23C-14DP-0.5V(92)	QTY	2000

TO	

CODE NO. (OLD)		DESIGNED	T. Yamamoto	CHECKED	K. Hayashi	APPROVED	K. Hayashi	RELEASED	
DRAWING NO.	EDC3-163722-02	DRAWN	T. Yamamoto	DESIGNED	T. Yamamoto	CHECKED	K. Hayashi	APPROVED	K. Hayashi
SCALE	5 : 1								
UNITS	mm								
PART NO.	DF23C-14DP-0.5V(92)								
CODE NO.	CL688-0800-5-92								

X-ON Electronics

Largest Supplier of Electrical and Electronic Components

Click to view similar products for [Board to Board & Mezzanine Connectors](#) category:

Click to view products by [Hirose](#) manufacturer:

Other Similar products are found below :

[589158040000018](#) [MDF7C-18P-2.54DSA\(55\)](#) [FCN-230C068-11](#) [FCN-268F012-G/BD](#) [FCN-268F036-G/BD](#) [FCN-268M012-G/0D](#) [FCN-268M024-G/1D](#) [FCN-723J004/1](#) [MIS-048-01-F-D-DP-K](#) [832-10-034-10-001000](#) [FX4C-80S-1.27DSA](#) [FCN-214Q030-G/0](#) [FCN-234P048-G/0](#) [FCN-235D050-G/C](#) [210-93-314-41-105000](#) [2-22603-0](#) [MDF7-40DP-2.54DSA\(55\)](#) [AXG720047](#) [MIT-114-03-F-D-K](#) [55323-1519](#) [DF33-2P-3.3DSA\(24\)](#) [YFT-20-05-H-03-SB-K](#) [503308-3040](#) [026-6203-PDB](#) [027-6203-PDB](#) [069159702701000](#) [10123981-102LF](#) [101A10019X](#) [55650-0588-C](#) [68682-310LF](#) [68684-306](#) [75140-7012](#) [87471-650](#) [YTW-30-07-H-Q-410-140](#) [FCN-268F024-G0D](#) [10124054-515LF](#) [68685-603](#) [8-1616154-3](#) [MIS-019-01-F-D](#) [FCN-268M024-G/3D](#) [FCN-268M036-G/BD](#) [20021832-06016C1LF](#) [KX15-20KLDL-E1000E](#) [AXE810124](#) [FCN-214J100-G/0](#) [FCN-230C068-E/S](#) [AXE812124](#) [AXE816124](#) [AXE720127](#) [354184](#)