

Sep.1.2021 Copyright 2021 HIROSE ELECTRIC CO., LTD. All Rights Reserved.  
In case of consideration for using Automotive equipment / device which demand high reliability, kindly contact our sales window correspondents.

| COUNT | DESCRIPTION OF REVISIONS | BY | CHKD | DATE | COUNT | DESCRIPTION OF REVISIONS | BY | CHKD | DATE |
|-------|--------------------------|----|------|------|-------|--------------------------|----|------|------|
| △     |                          |    |      | ..   | △     |                          |    |      | ..   |
| △     |                          |    |      | ..   | △     |                          |    |      | ..   |
| △     |                          |    |      | ..   | △     |                          |    |      | ..   |

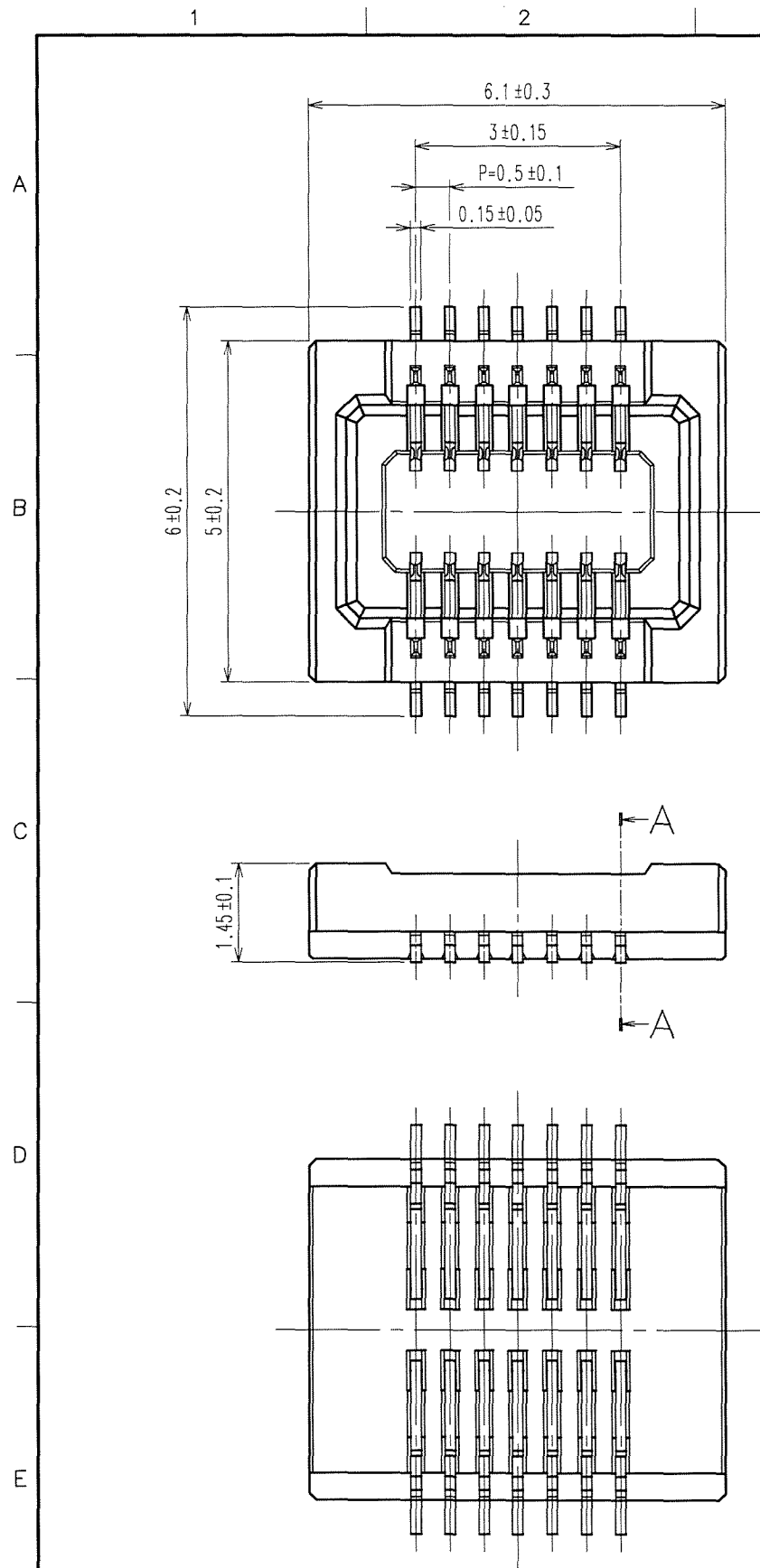


Fig.1 : RECOMMENDED PATTERN

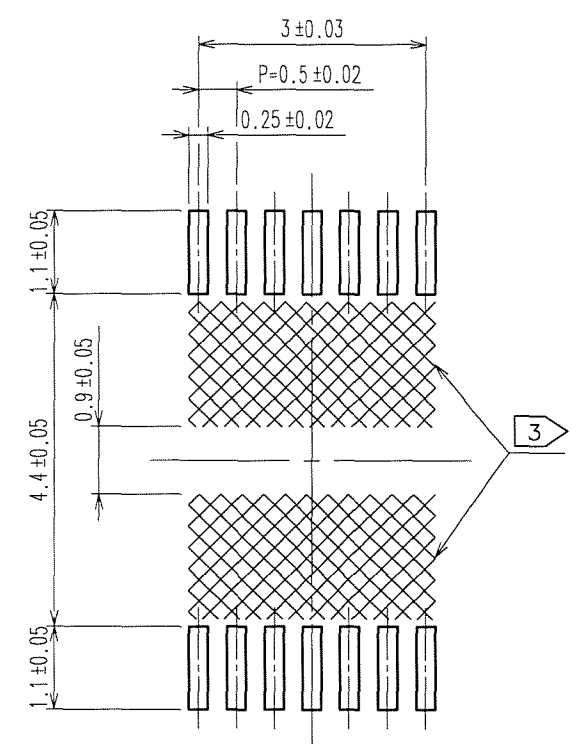


Fig.2 : A-A CROSS SECTION VIEW

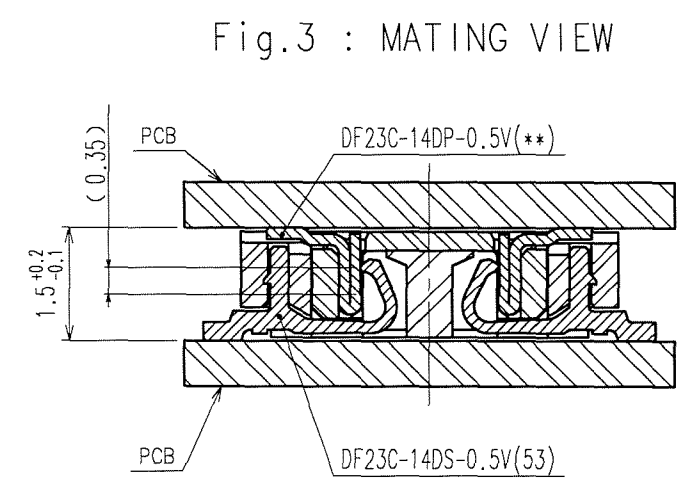
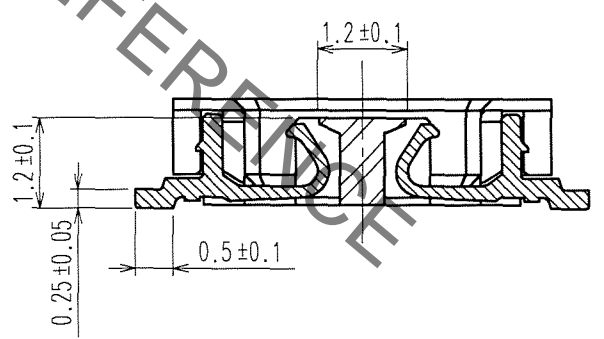
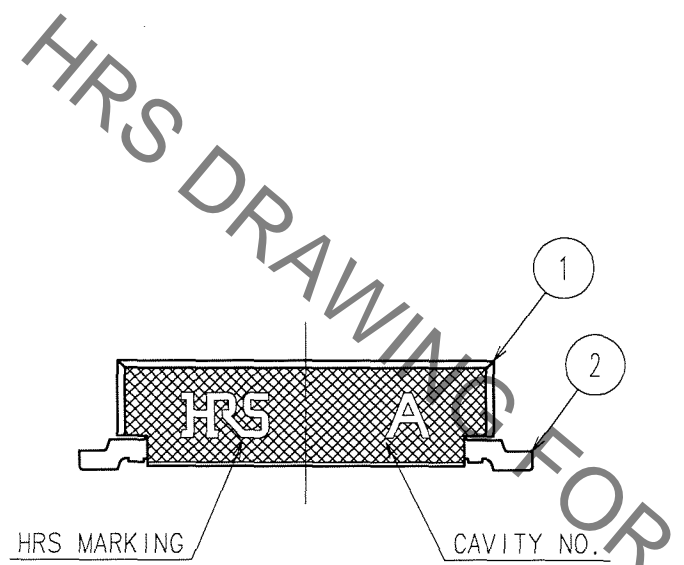


Fig.3 : MATING VIEW



- NOTES
- LEAD CO-PLANARITY SHALL BE 0.1mm MAX.
  - PLATING  
 CONTACT AREA : GOLD  $0.1\mu\text{m}$  MIN.  
 LEAD AREA : GOLD  $0.02\mu\text{m}$  MIN.  
 UNDER PLATING : NICKEL  $1\mu\text{m}$  MIN.
  - WHEN A PART MARKED WITH HAS A PATTERN BUT NO RESIST ON IT, TAKE CARE TO PREVENT THE CONNECTOR FROM TOUCHING IT.
  - THE DIMENSIONS IN PARENTHESES ARE FOR REFERENCE.

| NO. | MATERIAL        | FINISH, REMARKS | NO. | MATERIAL  | FINISH, REMARKS              |
|-----|-----------------|-----------------|-----|-----------|------------------------------|
| 2   | PHOSPHOR BRONZE |                 | 4   | POLYESTER | CLEAR(COVER TAPE)            |
| 1   | LCP             | BLACK,UL94V-0   | 3   | PS        | CLEAR(EMBOSSED CARRIER TAPE) |

| CODE NO. (OLD) | DRAWN     | DESIGNED   | CHECKED    | APPROVED   | RELEASED |
|----------------|-----------|------------|------------|------------|----------|
|                | A.Aoyagi  | T.Yamanoto | T.Miyagaki | M.Hokamura |          |
|                | '07. 6. 6 | 07. 6. 6   | 07.06.06   | 07.06.07   |          |

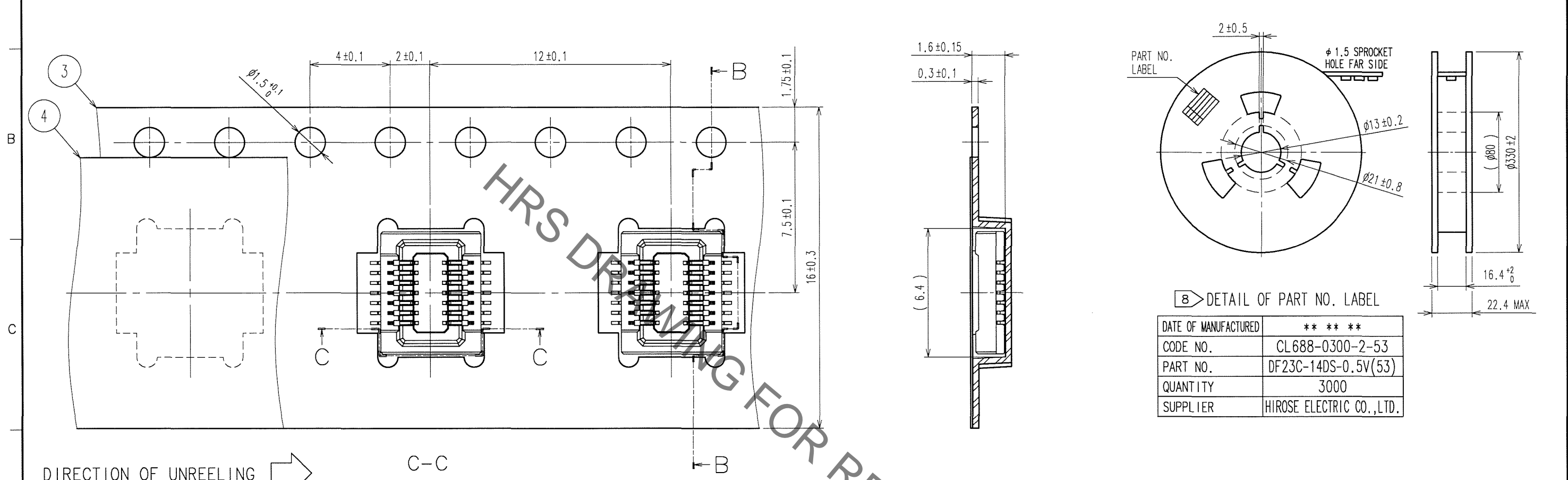
|        |                              |                     |
|--------|------------------------------|---------------------|
| SCALE  | DRAWING NO.                  | PART NO.            |
| 10 : 1 | EDC3-163721-02               | DF23C-14DS-0.5V(53) |
| UNITS  | HRS HIROSE ELECTRIC CO., LTD | CODE NO.            |
| mm     |                              | CL688-0300-2-53     |

|    |
|----|
| TO |
|    |
|    |
|    |

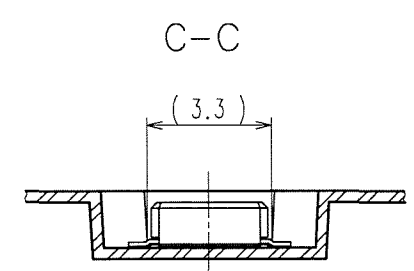
Sep.1.2021 Copyright 2021 HIROSE ELECTRIC CO., LTD. All Rights Reserved.  
In case of consideration for using Automotive equipment / device which demand high reliability, kindly contact our sales window correspondents.

| COUNT | DESCRIPTION OF REVISIONS | BY | CHKD | DATE | COUNT | DESCRIPTION OF REVISIONS | BY | CHKD | DATE |
|-------|--------------------------|----|------|------|-------|--------------------------|----|------|------|
|       |                          |    |      |      |       |                          |    |      |      |
|       |                          |    |      |      |       |                          |    |      |      |
|       |                          |    |      |      |       |                          |    |      |      |

B-B Fig.5 : STYLE AND DIMENSIONS OF REEL(FREE)



DIRECTION OF UNREELING →



7 Fig.4 : TAPING

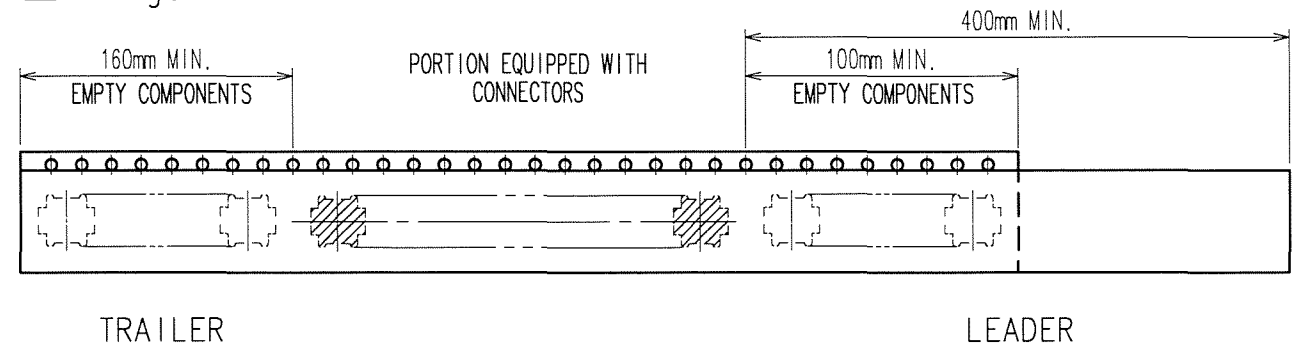


Fig.6 : PACKAGING SPECIFICATION (FREE)

PACKAGING DIMENSION

DETAIL OF LABEL

NOTES  
 5 PER REEL 3000 CONNECTORS  
 6 THE DIMENSIONS IN PARENTHESES ARE FOR REFERENCE  
 7 REFER TO JIS C 0806 (PACKAGING OF COMPONENTS FOR AUTOMATIC HANDLING)  
 8 DETAIL OF PART NO. LABEL IS WRITTEN IN JAPANESE.

|                               |                                 |                                     |                                      |                                       |          |
|-------------------------------|---------------------------------|-------------------------------------|--------------------------------------|---------------------------------------|----------|
| CODE NO. (OLD)                | DRAWN<br>A. Aoyagi<br>'07. 6. 6 | DESIGNED<br>J. Yamamoto<br>07. 6. 6 | CHECKED<br>T. Mizogaki<br>07. 06. 06 | APPROVED<br>M. Nakamura<br>07. 06. 07 | RELEASED |
| DRAWING NO.<br>EDC3-163721-02 |                                 | PART NO.<br>DF23C-14DS-0.5V(53)     |                                      |                                       |          |
| SCALE<br>5 : 1                |                                 | CODE NO.<br>CL688-0300-2-53         |                                      |                                       |          |
| UNITS<br>mm                   |                                 | HIROSE ELECTRIC CO., LTD            |                                      |                                       |          |

|    |
|----|
| TO |
|    |
|    |
|    |

## X-ON Electronics

Largest Supplier of Electrical and Electronic Components

*Click to view similar products for [Board to Board & Mezzanine Connectors](#) category:*

*Click to view products by [Hirose](#) manufacturer:*

Other Similar products are found below :

[589158040000018](#) [MDF7C-18P-2.54DSA\(55\)](#) [FCN-230C068-11](#) [FCN-268F012-G/BD](#) [FCN-268F036-G/BD](#) [FCN-268M012-G/0D](#) [FCN-268M024-G/1D](#) [FCN-723J004/1](#) [MIS-048-01-F-D-DP-K](#) [832-10-034-10-001000](#) [FX4C-80S-1.27DSA](#) [FCN-214Q030-G/0](#) [FCN-234P048-G/0](#) [FCN-235D050-G/C](#) [210-93-314-41-105000](#) [2-22603-0](#) [MDF7-40DP-2.54DSA\(55\)](#) [AXG720047](#) [MIT-114-03-F-D-K](#) [55323-1519](#) [DF33-2P-3.3DSA\(24\)](#) [YFT-20-05-H-03-SB-K](#) [503308-3040](#) [026-6203-PDB](#) [027-6203-PDB](#) [069159702701000](#) [10123981-102LF](#) [101A10019X](#) [55650-0588-C](#) [68682-310LF](#) [68684-306](#) [75140-7012](#) [87471-650](#) [YTW-30-07-H-Q-410-140](#) [FCN-268F024-G0D](#) [10124054-515LF](#) [68685-603](#) [8-1616154-3](#) [MIS-019-01-F-D](#) [FCN-268M024-G/3D](#) [FCN-268M036-G/BD](#) [20021832-06016C1LF](#) [KX15-20KLDL-E1000E](#) [AXE810124](#) [FCN-214J100-G/0](#) [FCN-230C068-E/S](#) [AXE812124](#) [AXE816124](#) [AXE720127](#) [354184](#)