

COUNT	DESCRIPTION OF REVISIONS	BY	CHKD	DATE	COUNT	DESCRIPTION OF REVISIONS	BY	CHKD	DATE

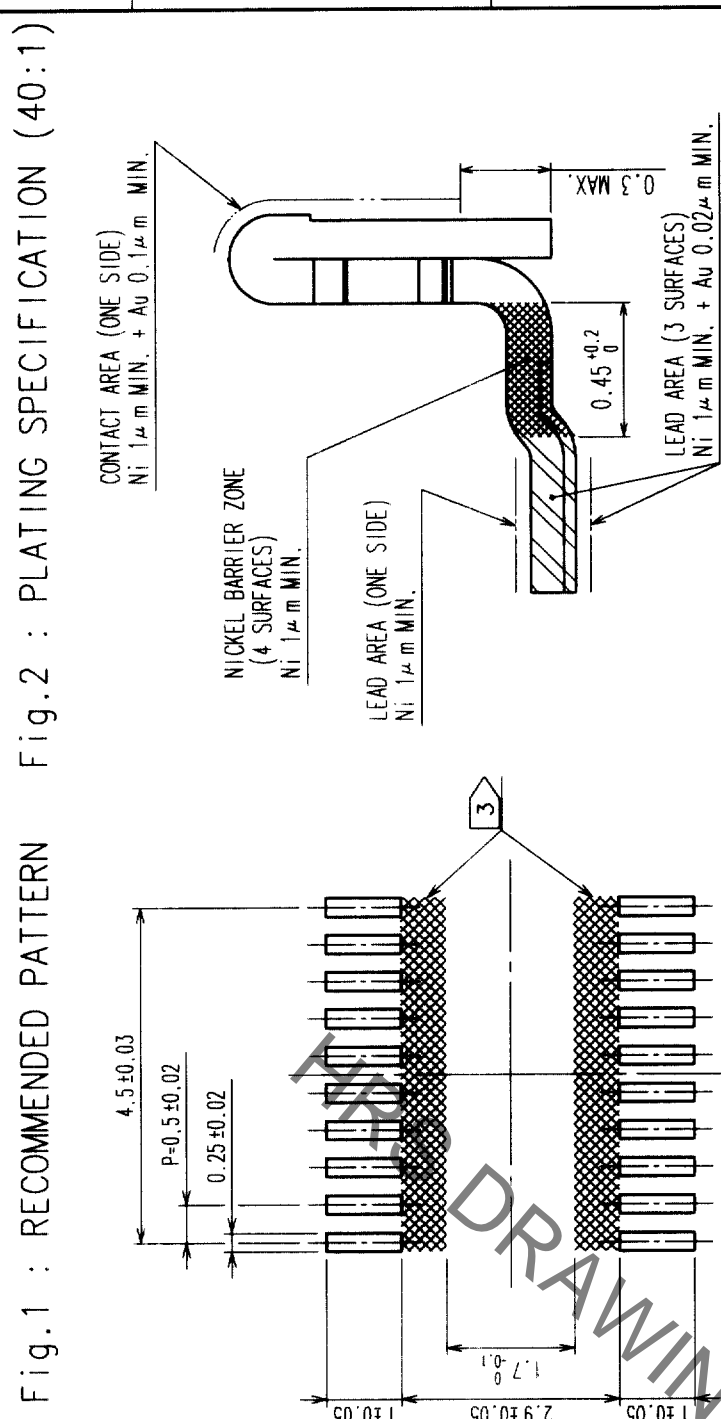


Fig.1 : RECOMMENDED PATTERN Fig.2 : PLATING SPECIFICATION (40:1)

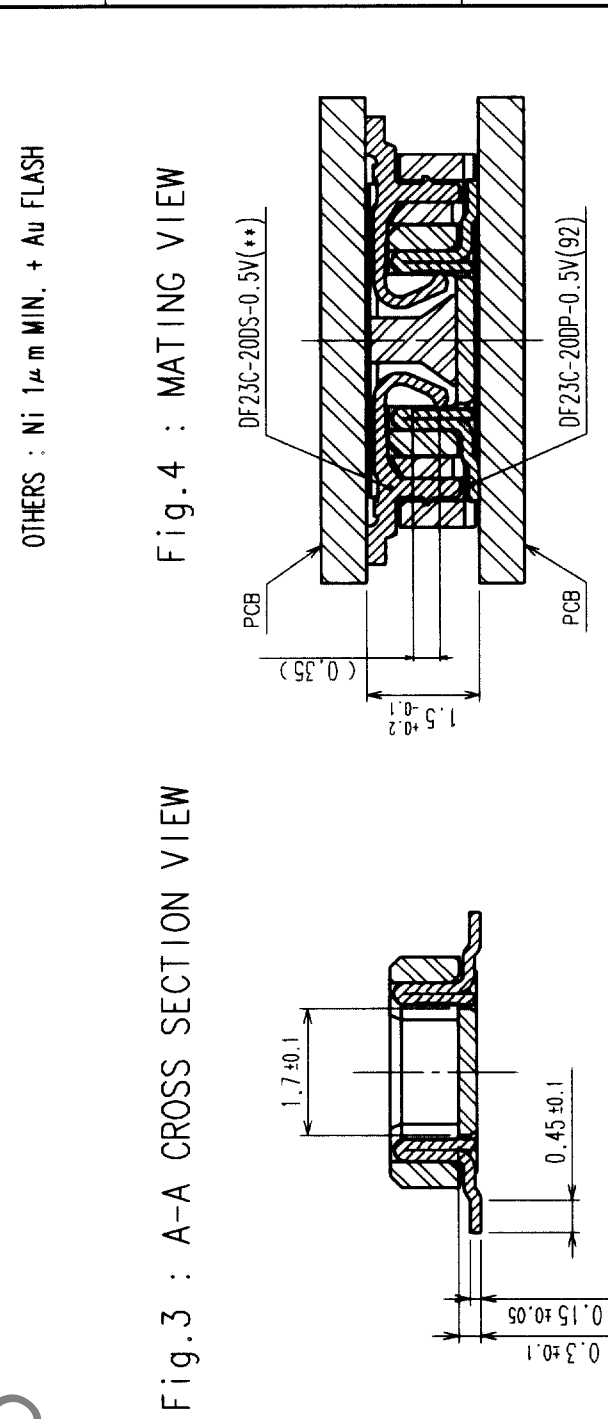


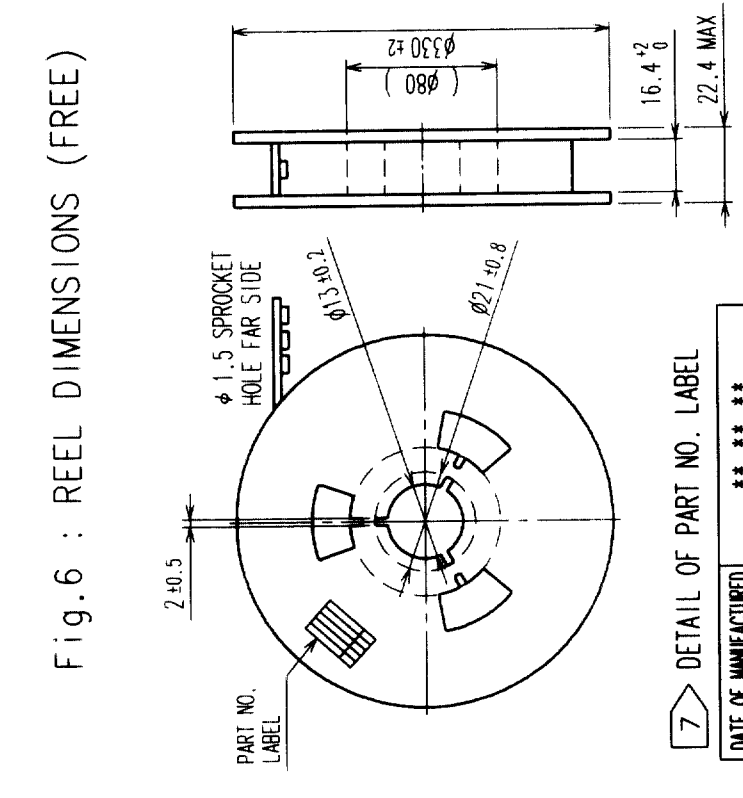
Fig.3 : A-A CROSS SECTION VIEW Fig.4 : MATING VIEW

2	PHOSPHOR BRONZE	2	POLYESTER	CLEAR
1	LCP	3	PS	CLEAR
NO.	MATERIAL	FINISH, REMARKS	NO.	MATERIAL
CODE NO. (OLD)	DRAWN F. Matsuki '03.12.11			
	DESIGNED T. Yamamoto '03.12.11			
	CHECKED T. Sakata '03.12.11			
	APPROVED T. Sakata '03.12.11			
	RELEASED			
DRAWING NO. EDC3-164003-03		PART NO. DF23C-20DP-0.5V(92)		
SCALE 10 : 1	CODE NO. CL688-0801-8-92			
UNITS mm	HIROSE ELECTRIC CO., LTD			

NOTES 1 LEAD CO-PLANARITY SHALL BE 0.1mm MAX.  
 2 BLACK, UL94V-0  
 3 WHEN A PART MARKED WITH HAS A PATTERN BUT NO RESIST ON IT, TAKE CARE TO PREVENT THE CONNECTOR FROM TOUCHING IT.

TO	

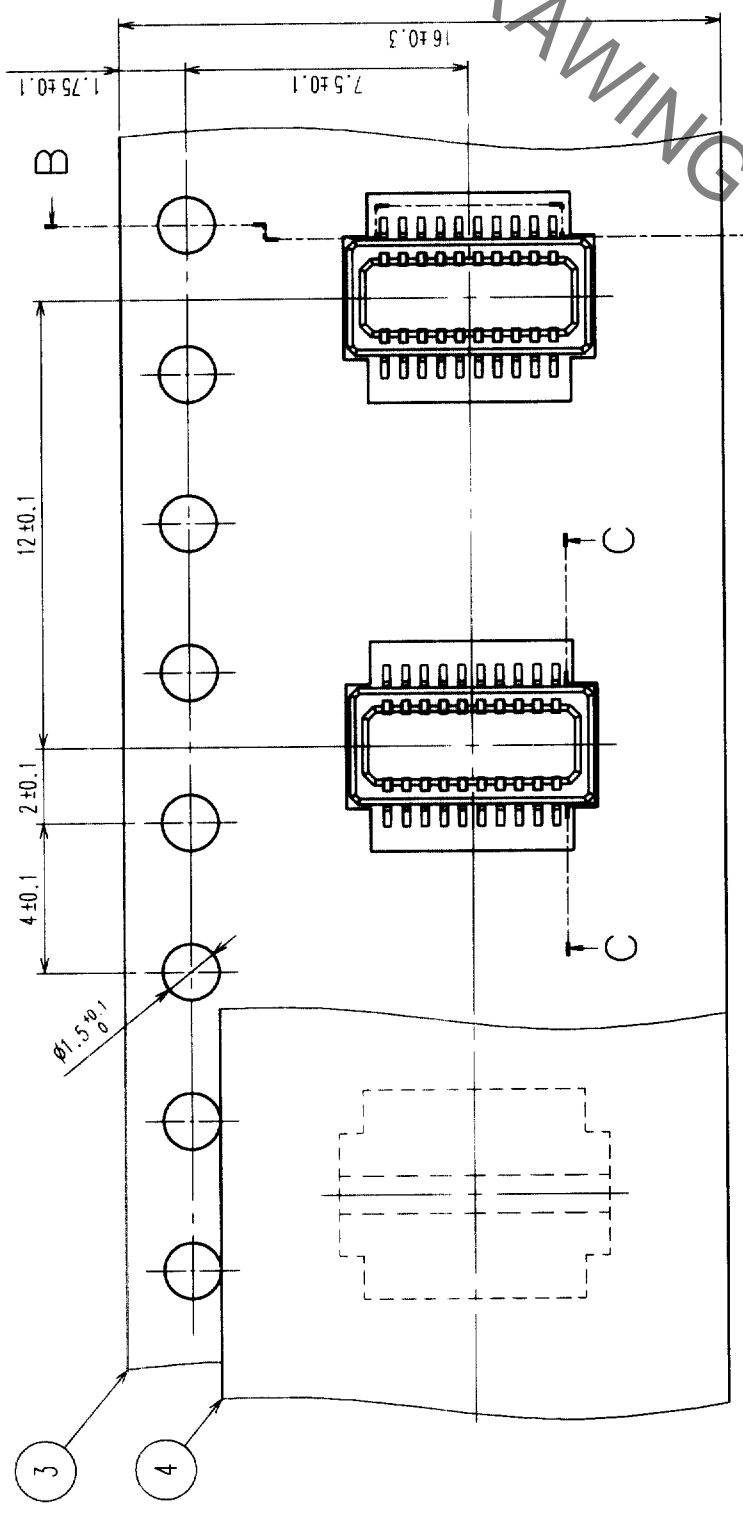
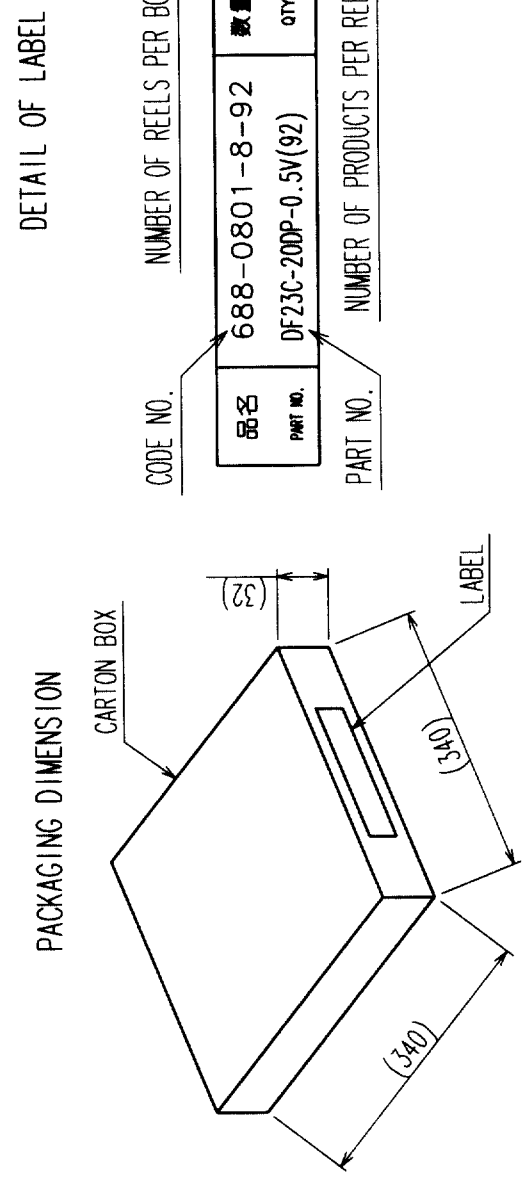
Fig.6 : REEL DIMENSIONS (FREE)



7 DETAIL OF PART NO. LABEL

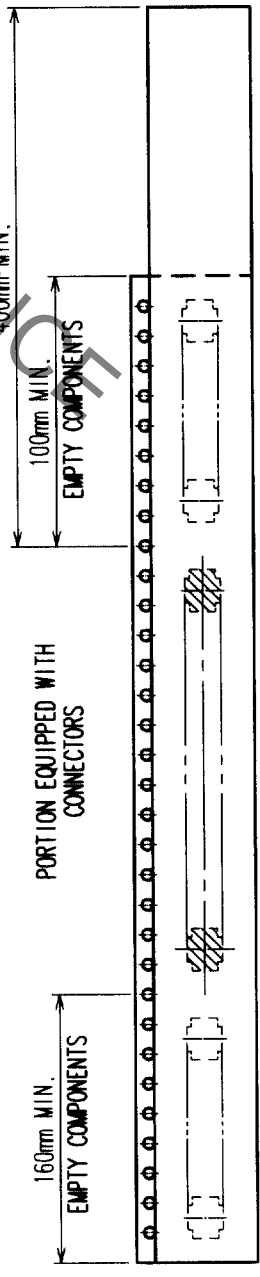
DATE OF MANUFACTURED	*** ** *
CODE NO.	CL688-0801-8-92
PART NO.	DF23C-20DP-0.5V(92)
QUANTITY	2000
SUPPLIER	HIROSE ELECTRIC CO.,LTD.

Fig.7 : PACKAGING SPECIFICATION (FREE)



DIRECTION OF UNREELING →

6 Fig.5 : TAPING (FREE)



TRAILER

LEADER

NOTES 4 PER REEL 2000 CONNECTORS  
 5 THE DIMENSIONS IN PARENTHESES ARE FOR REFERENCE.  
 6 REFER TO JIS C 0806  
 (PACKAGING OF COMPONENTS FOR AUTOMATIC HANDLING)  
 7 DETAIL OF PART NO. LABEL IS WRITTEN IN JAPANESE.

CODE NO. (OLD)	DRAWN	DESIGNED	CHECKED	APPROVED	RELEASED
	F. Matsuki	J. Yamamoto	J. Saito	J. Saito	
	'03.12.11	'03.12.11	'03.12.11	'03.12.11	
DRAWING NO. EDC3-164003-03	PART NO. DF23C-20DP-0.5V(92)				
SCALE 5 : 1	CODE NO. CL688-0801-8-92				
UNITS ITM	HIROSE ELECTRIC CO., LTD				

## X-ON Electronics

Largest Supplier of Electrical and Electronic Components

*Click to view similar products for [Board to Board & Mezzanine Connectors](#) category:*

*Click to view products by [Hirose](#) manufacturer:*

Other Similar products are found below :

[589158040000018](#) [FCN-230C068-11](#) [FCN-268F012-G/BD](#) [FCN-268F036-G/BD](#) [FCN-268M012-G/0D](#) [FCN-268M024-G/1D](#) [FCN-723J004/1](#) [MIS-048-01-F-D-DP-K](#) [832-10-034-10-001000](#) [FX4C-80S-1.27DSA](#) [FCN-214Q030-G/0](#) [FCN-234P048-G/0](#) [FCN-235D050-G/C](#) [2-22603-0](#) [AXG720047](#) [5031084030](#) [MIT-114-03-F-D-K](#) [55323-1519](#) [YFT-20-05-H-03-SB-K](#) [503308-3040](#) [026-6203-PDB](#) [027-6203-PDB](#) [069159702701000](#) [10123981-102LF](#) [101A10019X](#) [55650-0588-C](#) [68682-310LF](#) [68684-306](#) [75140-7012](#) [87471-650](#) [YTW-30-07-H-Q-410-140](#) [194261-1](#) [FCN-268F024-G0D](#) [10124054-515LF](#) [68685-603](#) [8-1616154-3](#) [MIS-019-01-F-D](#) [FCN-268M024-G/3D](#) [FCN-268M036-G/BD](#) [20021832-06016C1LF](#) [KX15-20KLDL-E1000E](#) [AXE810124](#) [FCN-214J100-G/0](#) [FCN-230C068-E/S](#) [AXE812124](#) [AXE816124](#) [AXE720127](#) [354184](#) [MIT-019-04-F-D-K](#) [P50-028-DDS-TG](#)