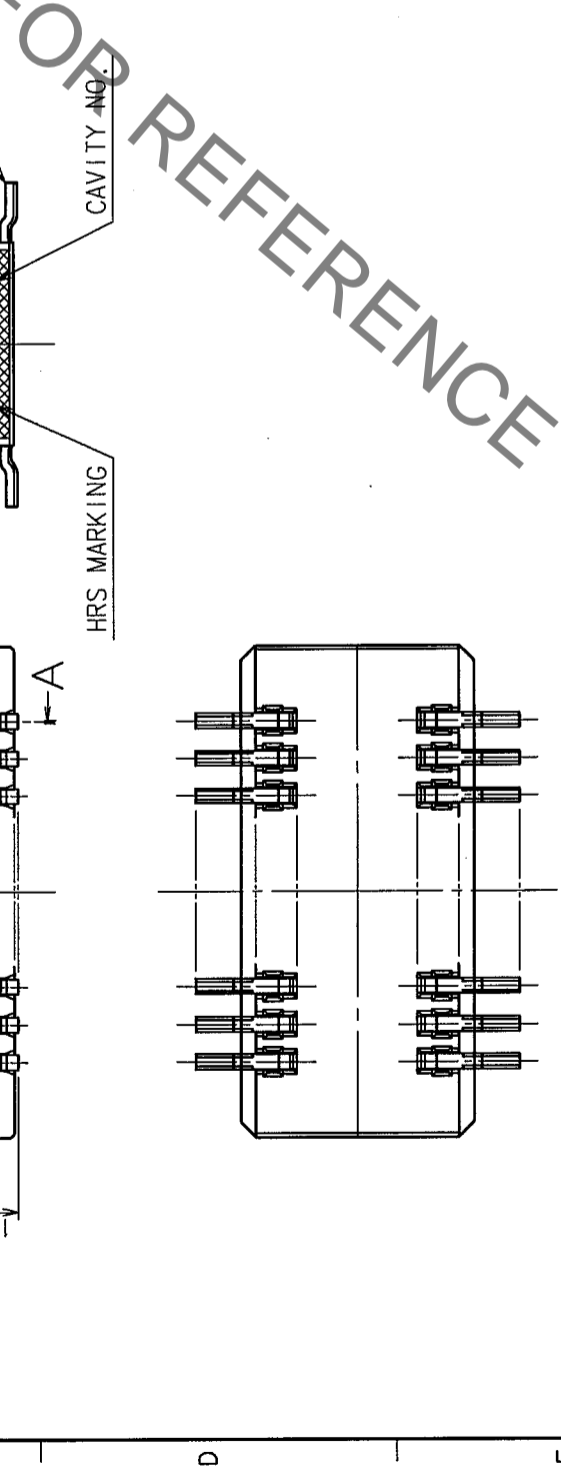
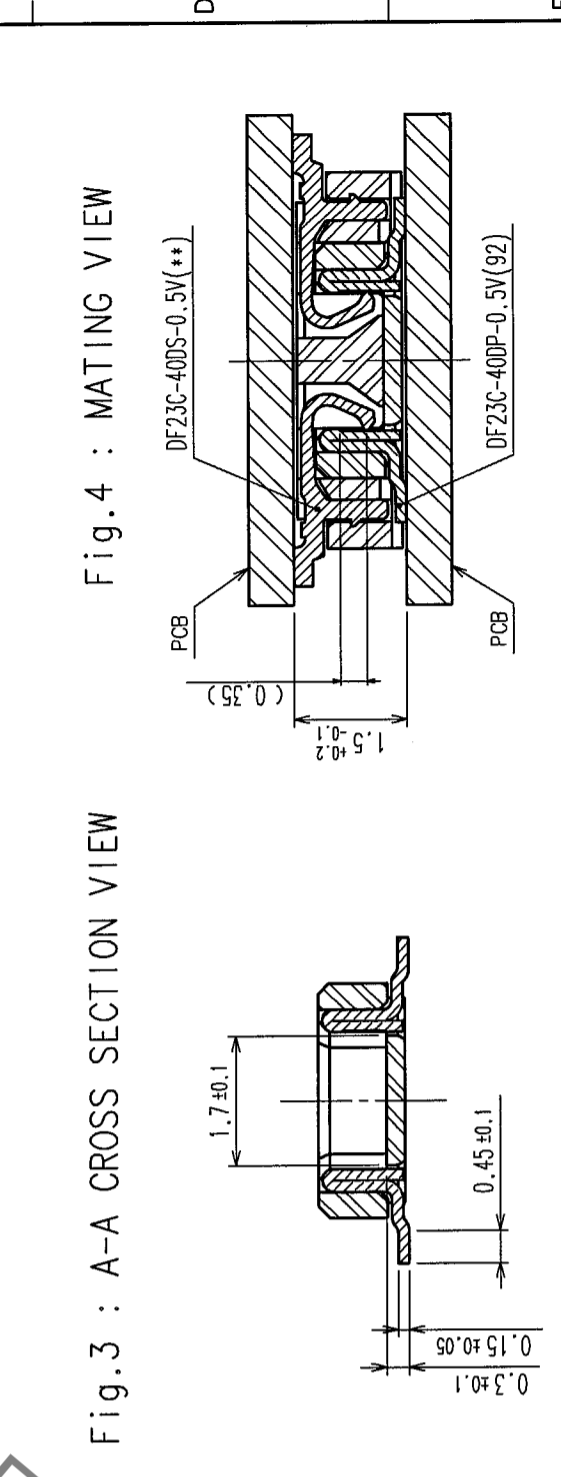
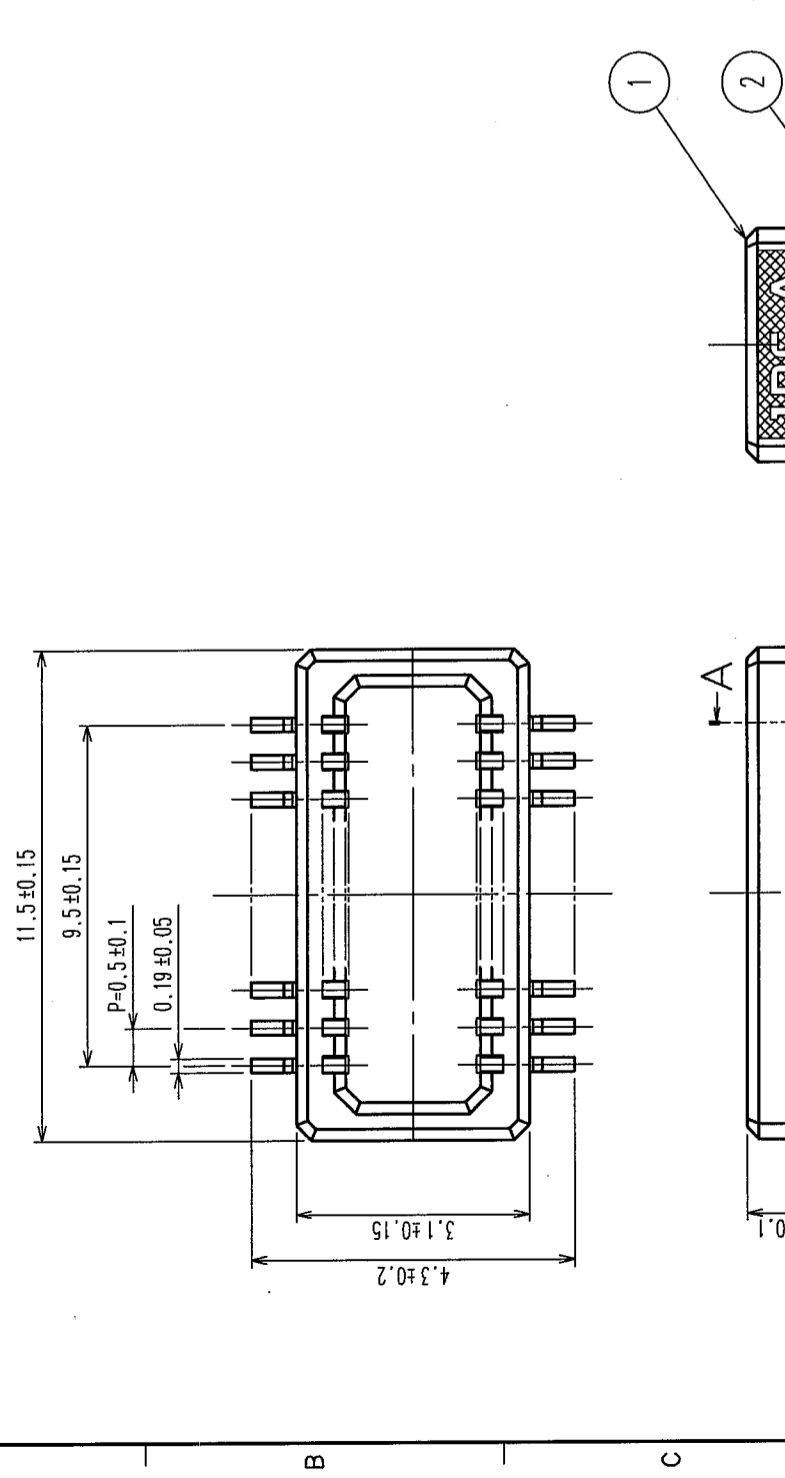
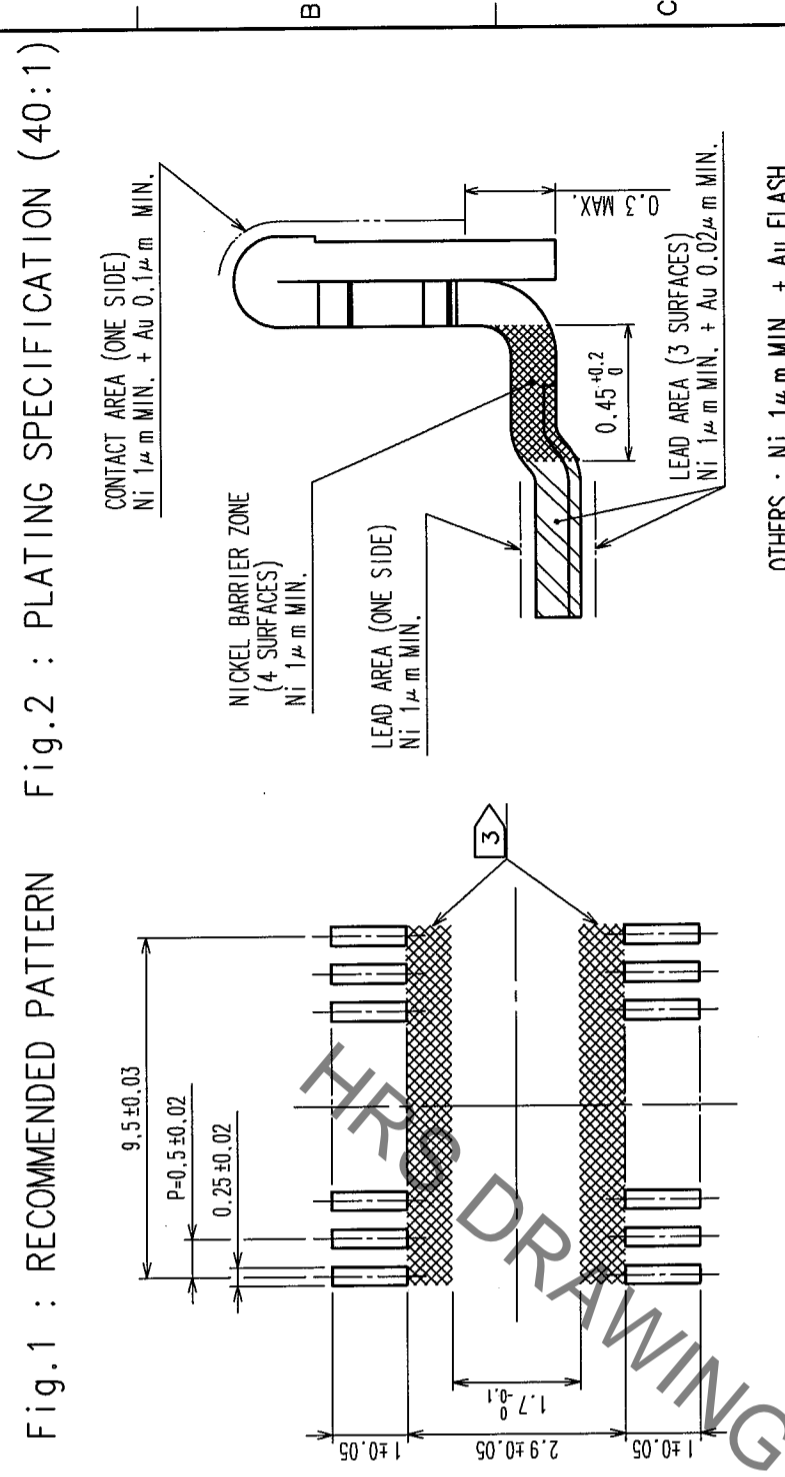


| COUNT | DESCRIPTION OF REVISIONS | BY | CHKD | DATE | COUNT | DESCRIPTION OF REVISIONS | BY | CHKD | DATE |
|-------|--------------------------|----|------|------|-------|--------------------------|----|------|------|
| | | | | | | | | | |
| | | | | | | | | | |
| | | | | | | | | | |



| NO. | MATERIAL | FINISH, REMARKS | NO. | MATERIAL | FINISH, REMARKS |
|-----|-----------------|-----------------|-----|-----------|-----------------|
| 2 | PHOSPHOR BRONZE | ② | 4 | POLYESTER | CLEAR |
| 1 | LCP | BLACK, UL94V-0 | 3 | PS | CLEAR |

| CODE NO. (OLD) | DRAWN | DESIGNED | CHECKED | APPROVED | RELEASED |
|----------------|------------|-------------|-----------|-----------|----------|
| | F. Matsuki | T. Yamamoto | T. Sakata | T. Sakata | |
| | '04.01.15 | '04.1.15 | '04.1.16 | '04.1.16 | |

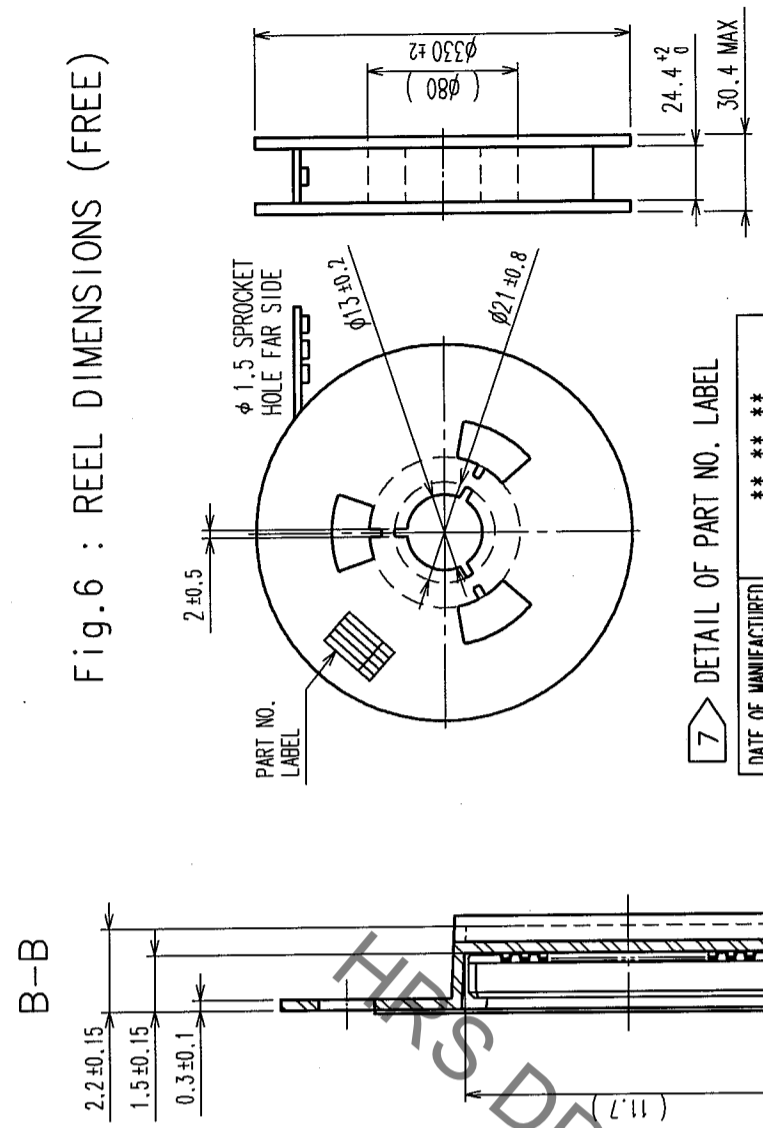
| DRAWING NO. | PART NO. |
|----------------|---------------------|
| EDC3-164005-02 | DF23C-40DP-0.5V(92) |

| SCALE | UNITS | CODE NO. |
|--------|-------|-----------------|
| 10 : 1 | mm | CL688-0803-3-92 |

NOTES 1 LEAD CO-PLANARITY SHALL BE 0.1mm MAX.
 ② REFER TO Fig.2
 ③ WHEN A PART MARKED WITH HAS A PATTERN BUT NO RESIST ON IT, TAKE CARE TO PREVENT THE CONNECTOR FROM TOUCHING IT.

| | |
|----|--|
| TO | |
|----|--|

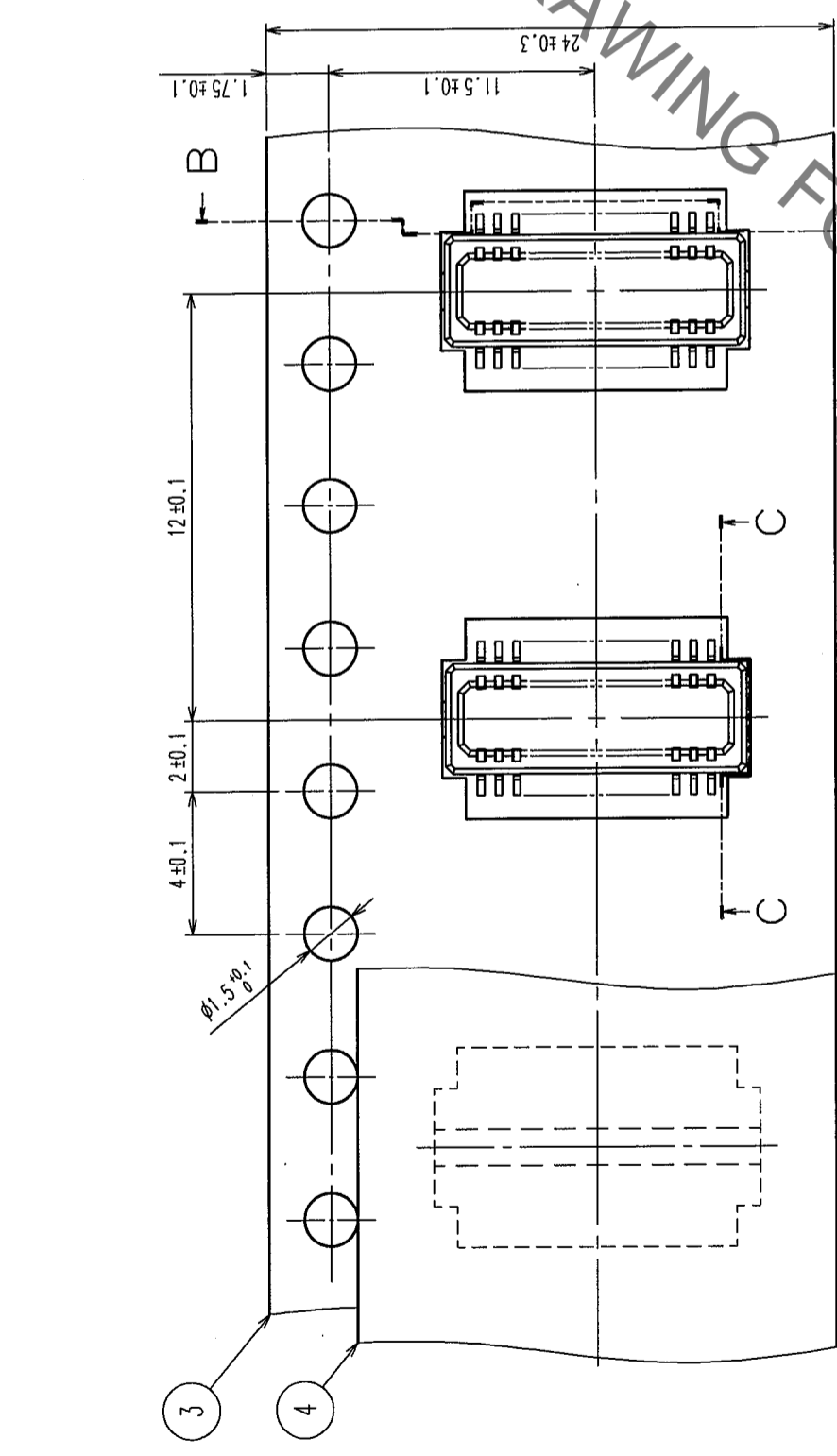
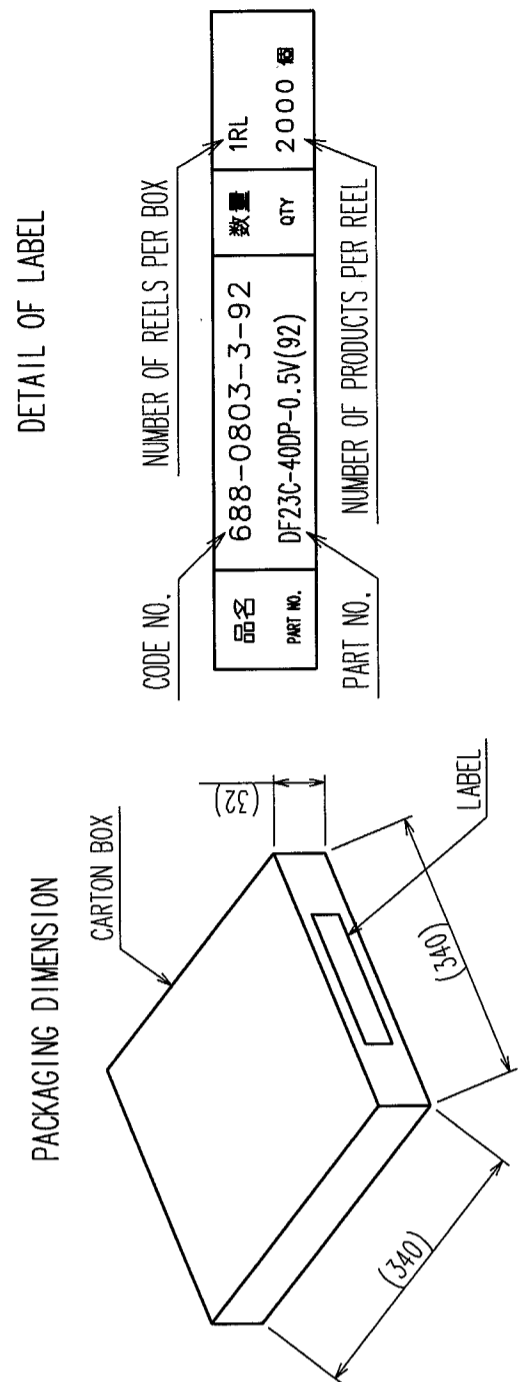
Fig.6 : REEL DIMENSIONS (FREE)



DETAIL OF PART NO. LABEL

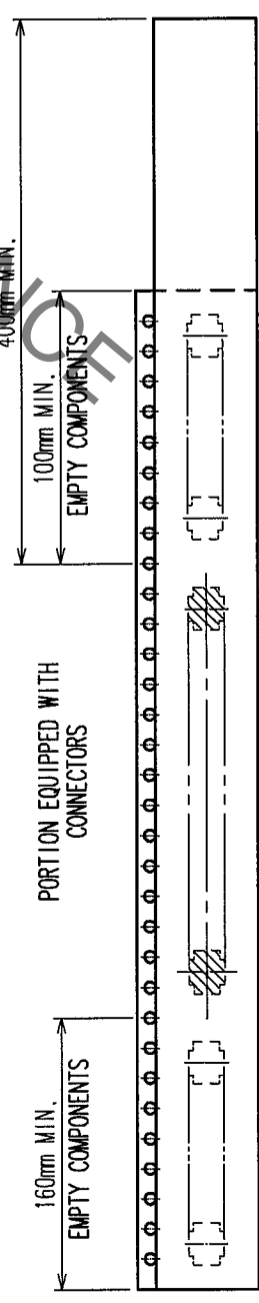
| | |
|----------------------|---------------------------|
| DATE OF MANUFACTURED | *** ** * |
| CODE NO. | CL688-0803-3-92 |
| PART NO. | DF23C-40DP-0.5V(92) |
| QUANTITY | 2000 |
| SUPPLIER | HIROSE ELECTRIC CO., LTD. |

Fig.6 : PACKAGING SPECIFICATION (FREE)



DIRECTION OF UNREELING →

Fig.5 : TAPING



TRAILER

LEADER

NOTES
 4 PER REEL 2000 CONNECTORS
 5 THE DIMENSIONS IN PARENTHESES ARE FOR REFERENCE.
 6 REFER TO JIS C 0806
 (PACKAGING OF COMPONENTS FOR AUTOMATIC HANDLING)
 7 DETAIL OF PART NO. LABEL IS WRITTEN IN JAPANESE.

| COUNT | DESCRIPTION OF REVISIONS | BY | CHKD | DATE | COUNT | DESCRIPTION OF REVISIONS | BY | CHKD | DATE |
|-------|--------------------------|----|------|------|-------|--------------------------|----|------|------|
| | | | | | | | | | |
| | | | | | | | | | |

| CODE NO. (OLD) | DRAWN | DESIGNED | CHECKED | APPROVED | RELEASED |
|----------------|------------|-------------|-----------|-----------|----------|
| | F. Matsuki | T. Yamamoto | T. Sakata | T. Sakata | |
| | '04.01.15 | '04.1.16 | '04.1.16 | '04.1.16 | |

| DRAWING NO. | PART NO. | CODE NO. |
|---|---|-----------------|
| EDC3-164005-02 <td>DF23C-40DP-0.5V(92) <td>CL688-0803-3-92 </td></td> | DF23C-40DP-0.5V(92) <td>CL688-0803-3-92 </td> | CL688-0803-3-92 |

| SCALE | UNITS |
|-------|-------|
| 5 : 1 | mm |

X-ON Electronics

Largest Supplier of Electrical and Electronic Components

Click to view similar products for [Board to Board & Mezzanine Connectors](#) category:

Click to view products by [Hirose](#) manufacturer:

Other Similar products are found below :

[589158040000018](#) [MDF7C-18P-2.54DSA\(55\)](#) [FCN-230C068-11](#) [FCN-268F012-G/BD](#) [FCN-268F036-G/BD](#) [FCN-268M012-G/0D](#) [FCN-268M024-G/1D](#) [FCN-723J004/1](#) [MIS-048-01-F-D-DP-K](#) [832-10-034-10-001000](#) [FX4C-80S-1.27DSA](#) [FCN-214Q030-G/0](#) [FCN-234P048-G/0](#) [FCN-235D050-G/C](#) [210-93-314-41-105000](#) [2-22603-0](#) [MDF7-40DP-2.54DSA\(55\)](#) [AXG720047](#) [MIT-114-03-F-D-K](#) [55323-1519](#) [DF33-2P-3.3DSA\(24\)](#) [YFT-20-05-H-03-SB-K](#) [503308-3040](#) [026-6203-PDB](#) [027-6203-PDB](#) [069159702701000](#) [10123981-102LF](#) [101A10019X](#) [55650-0588-C](#) [68682-310LF](#) [68684-306](#) [75140-7012](#) [87471-650](#) [YTW-30-07-H-Q-410-140](#) [FCN-268F024-G0D](#) [10124054-515LF](#) [68685-603](#) [8-1616154-3](#) [MIS-019-01-F-D](#) [FCN-268M024-G/3D](#) [FCN-268M036-G/BD](#) [20021832-06016C1LF](#) [KX15-20KLDL-E1000E](#) [AXE810124](#) [FCN-214J100-G/0](#) [FCN-230C068-E/S](#) [AXE812124](#) [AXE816124](#) [AXE720127](#) [354184](#)