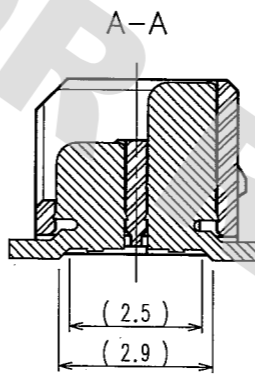
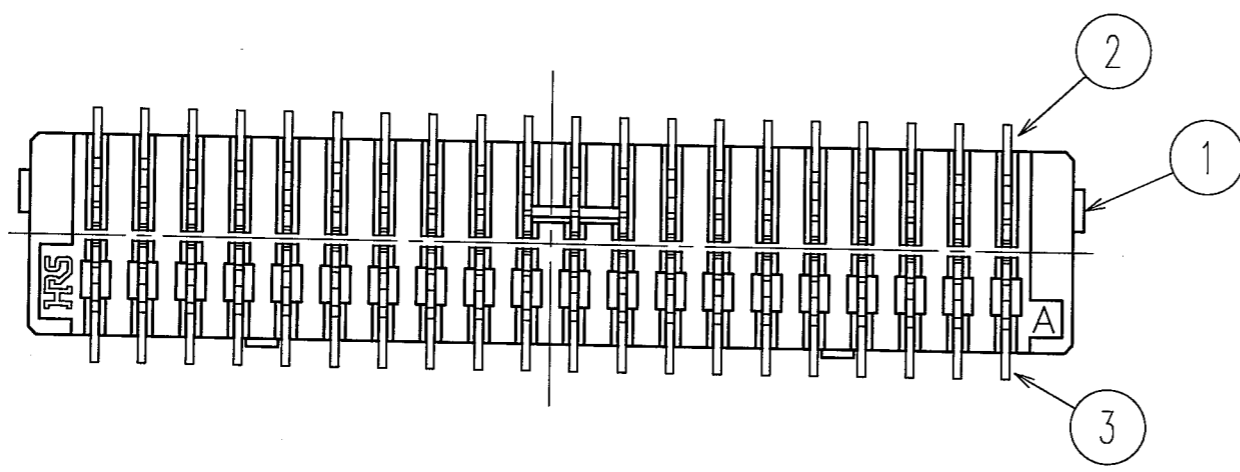
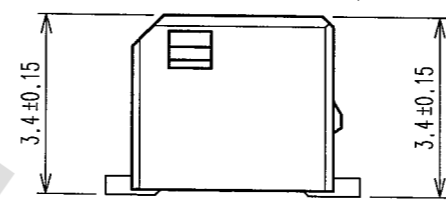
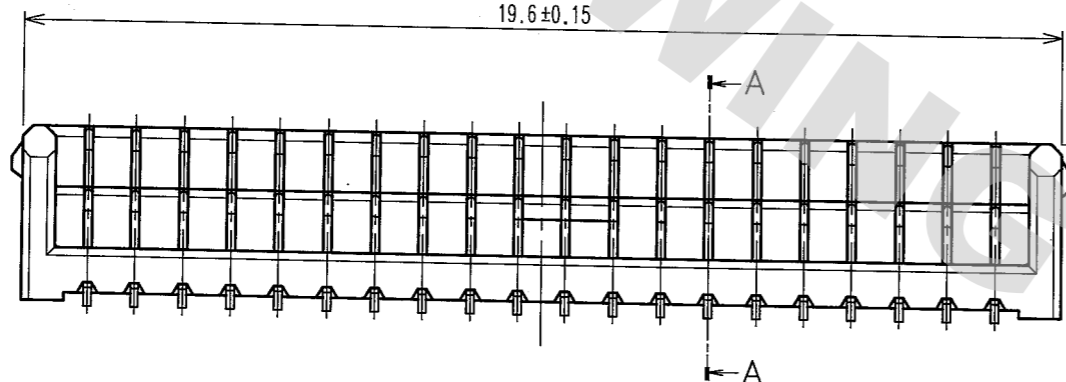
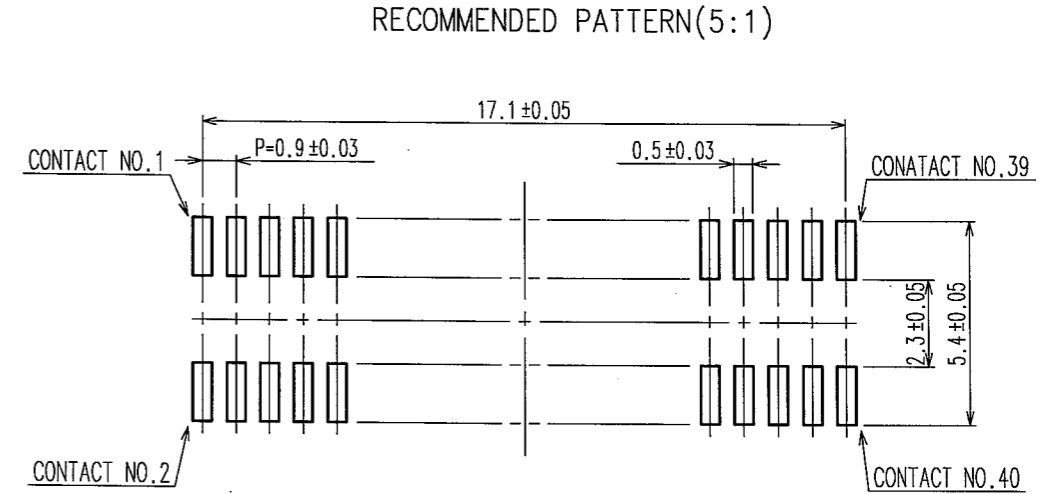
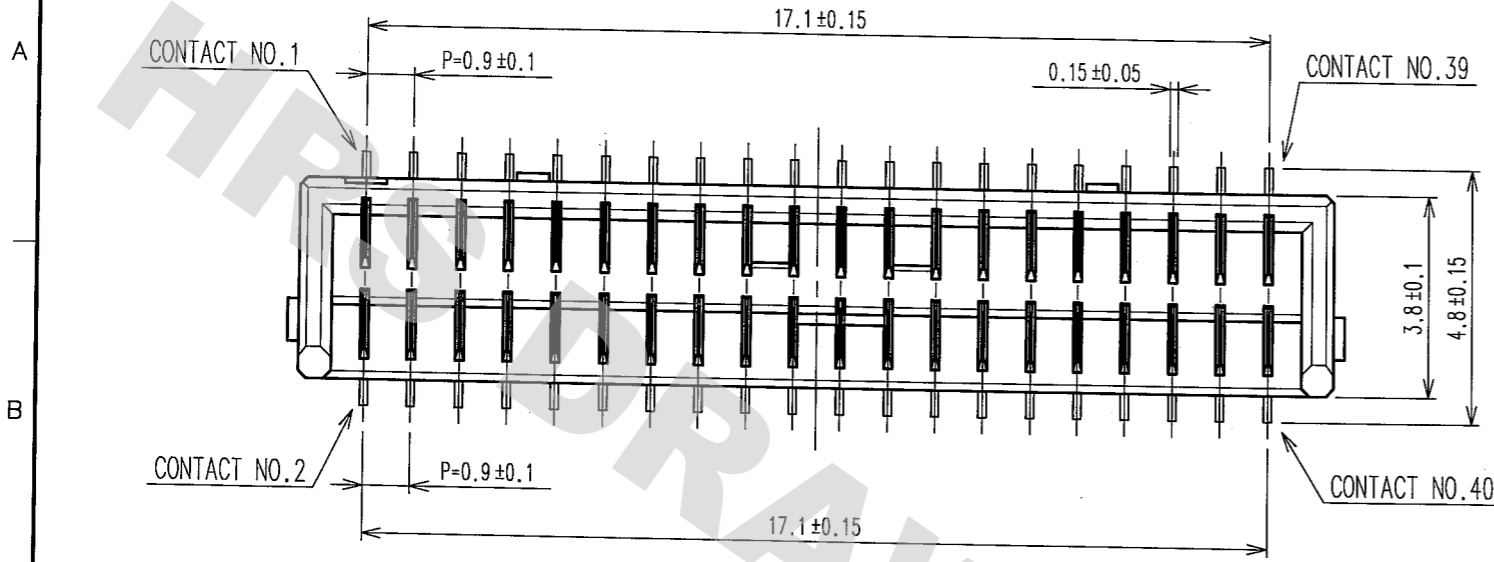


COUNT	DESCRIPTION OF REVISIONS	BY	CHKD	DATE	COUNT	DESCRIPTION OF REVISIONS	BY	CHKD	DATE
△				..	△				..
△				..	△				..
△				..	△				..



NOTE 1 : LEAD CO-PLANARITY SHALL BE 0.1mm MAX.
 2 : () SIZE BE A REFERENCE SIZE.
 3 : CONTACT PLATING SPECIFICATION
 CONTACT AREA : GOLD PLATED 0.1μ m min.
 LEAD AREA : GOLD FLASH PLATED.
 UNDER PLATING : NICKEL PLATED 1.5μ m min.
 4 : PACKING SPECIFICATION IS SHOWN IN 2 PAGES.

3	PHOSPHOR BRONZE	3	6	POLYAMIDE	UL94V-0, BLACK
2			5	POLYESTER	COVER TAPE
1	POLYAMIDE	UL94V-0, BLACK	4	PS	EMBOSSED CARRIER TAPE
NO.	MATERIAL	FINISH, REMARKS	NO.	MATERIAL	FINISH, REMARKS

CODE NO. (OLD)	DRAWN	DESIGNED	CHECKED	APPROVED	RELEASED
	F.Matsuki '05.08.31	T.Kumagawa '05.08.31	H.Umehara '05.09.01	J.Oma '05.09.01	

SCALE FR:EE	DRAWING NO. EDC3-301586-01	PART NO. DF24A-40DP-0.9V(51)
UNITS mm	HRS HIROSE ELECTRIC CO., LTD	CODE NO. CL687-3208-0-51

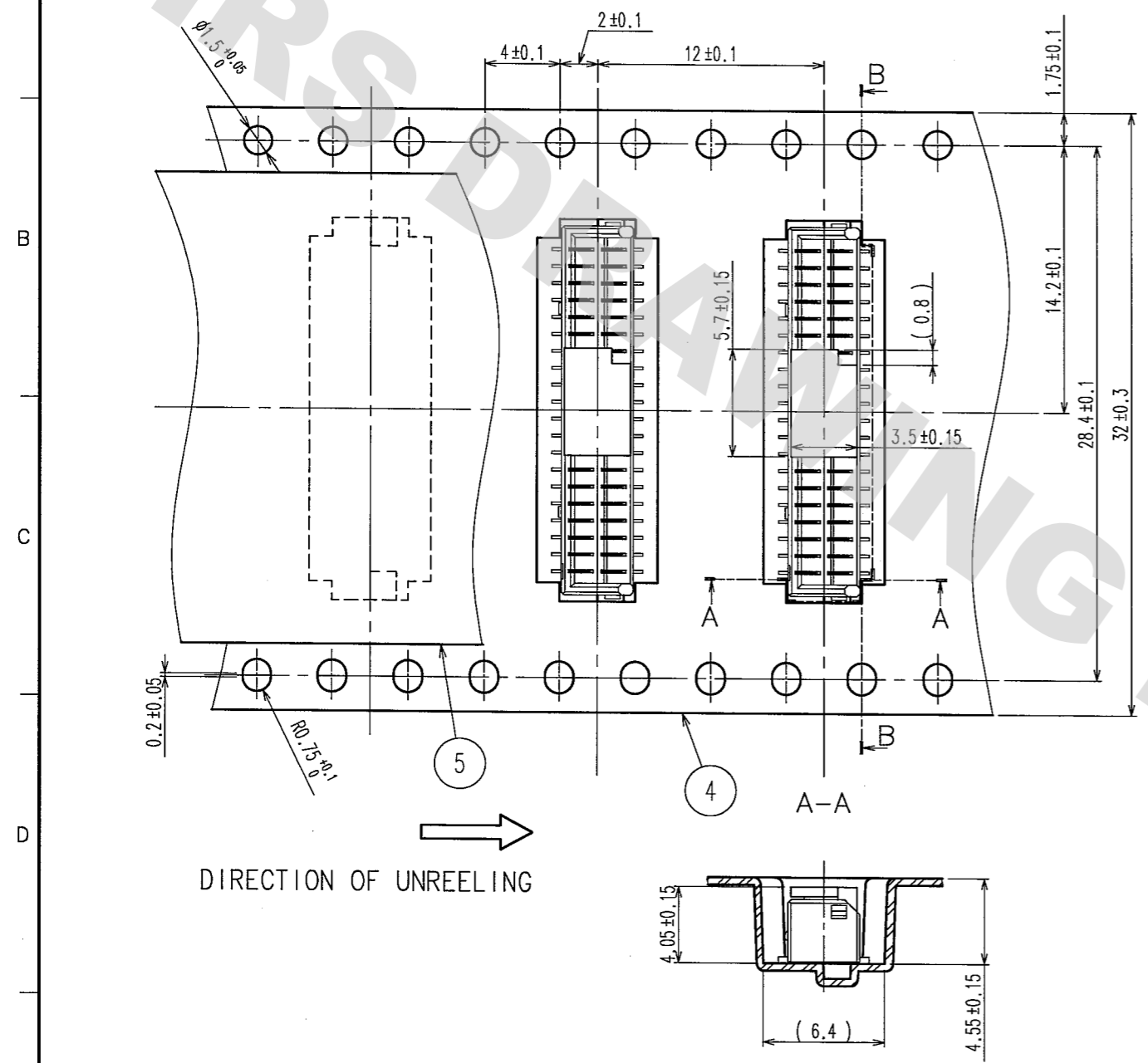
DRAWING FOR REFERENCE: This is subject to change without notice
08/11/2012

TO

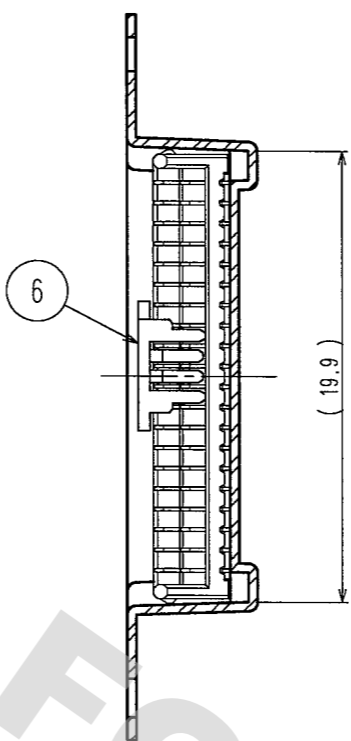
DRAWING FOR REFERENCE: This is subject to change without notice
08/11/2012

TO

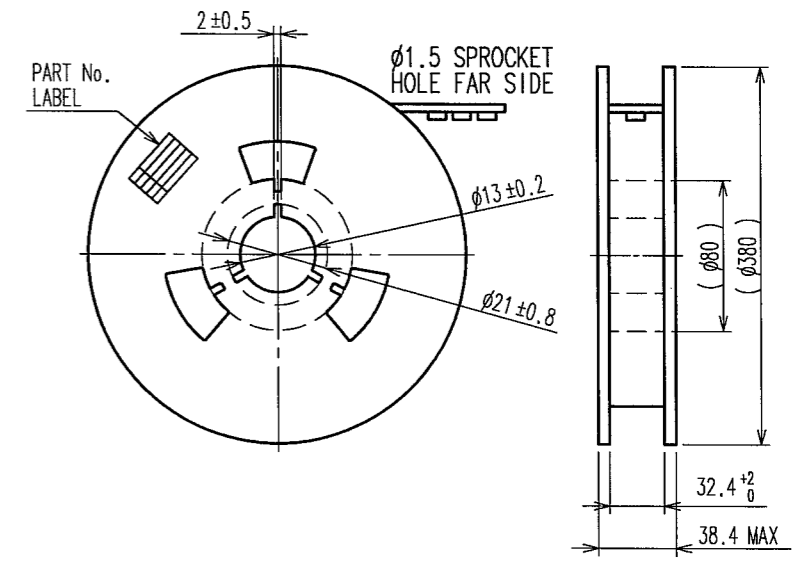
5				6				7				8			
COUNT	DESCRIPTION OF REVISIONS	BY	CHKD	DATE	COUNT	DESCRIPTION OF REVISIONS	BY	CHKD	DATE	COUNT	DESCRIPTION OF REVISIONS	BY	CHKD	DATE	



B-B



STYLE AND DIMMENSION OF REEL(FREE)



DETAIL OF PART No. LABEL

DATE OF MANUFACTURED	** ** *
CODE NO.	CL687-3208-0-51
PART NO.	DF24A-40DP-0.9V(51)
QUANTITY	1000 PCS
SUPPLIER	HIROSE ELECTRIC CO.,LTD.

NOTES 5 : 1000 PIECES PER REEL.
6 : AT THE BEGINNING OF THE REEL, 100mm MAX SHALL BE EMPTY.
AT THE END OF THE REEL, 160mm MAX SHALL BE EMPTY.

CODE NO. (OLD)	DRAWN	DESIGNED	CHECKED	APPROVED	RELEASED
	F.Matsuki	T.Kumagawa	H.Umehara	T.Oma	
	'05.08.31	'05.08.31	'05.09.01	'05.09.01	
SCALE	DRAWING NO.		PART NO.		
FR:EE	EDC3-301586-01		DF24A-40DP-0.9V(51)		
UNITS	HRS HIROSE ELECTRIC CO., LTD		CODE NO.		2
mm			CL687-3208-0-51		

X-ON Electronics

Largest Supplier of Electrical and Electronic Components

Click to view similar products for [Headers & Wire Housings](#) category:

Click to view products by [Hirose](#) manufacturer:

Other Similar products are found below :

[892-18-020-10-001101](#) [58102-G61-06LF](#) [582553-1](#) [0009485154](#) [009176003701906](#) [0050291907](#) [LY20-4P-DT1-P1E-BR](#) [02.125.8002.8](#)
[609-3404](#) [61062-3](#) [622-0430](#) [622-3653LF](#) [63453-116](#) [636-1030](#) [636-1427](#) [636-3427](#) [636-4007](#) [641938-9](#) [641991-4](#) [644827-2](#) [65817-010LF](#)
[65817-015LF](#) [65863-015LF](#) [66207-023LF](#) [67095-007LF](#) [67601157](#) [68648-049](#) [70.362.1628.0](#) [70-4210](#) [70-4226B](#) [70-4853B](#) [707-5020](#) [707-](#)
[5028](#) [71.350.2428.0](#) [71918-208LF](#) [71961-016LF](#) [733-134](#) [733-162](#) [754199-000](#) [760-3052](#) [787-8014-00](#) [79531-3000](#) [FCN-360C032-B](#) [FCN-](#)
[367T-T012/H](#) [FCN-723D010/2](#) [80.063.4001.1](#) [800-90-001-10-001000](#) [800-90-010-10-002000](#) [801-43-002-10-013000](#) [801-43-006-10-002000](#)