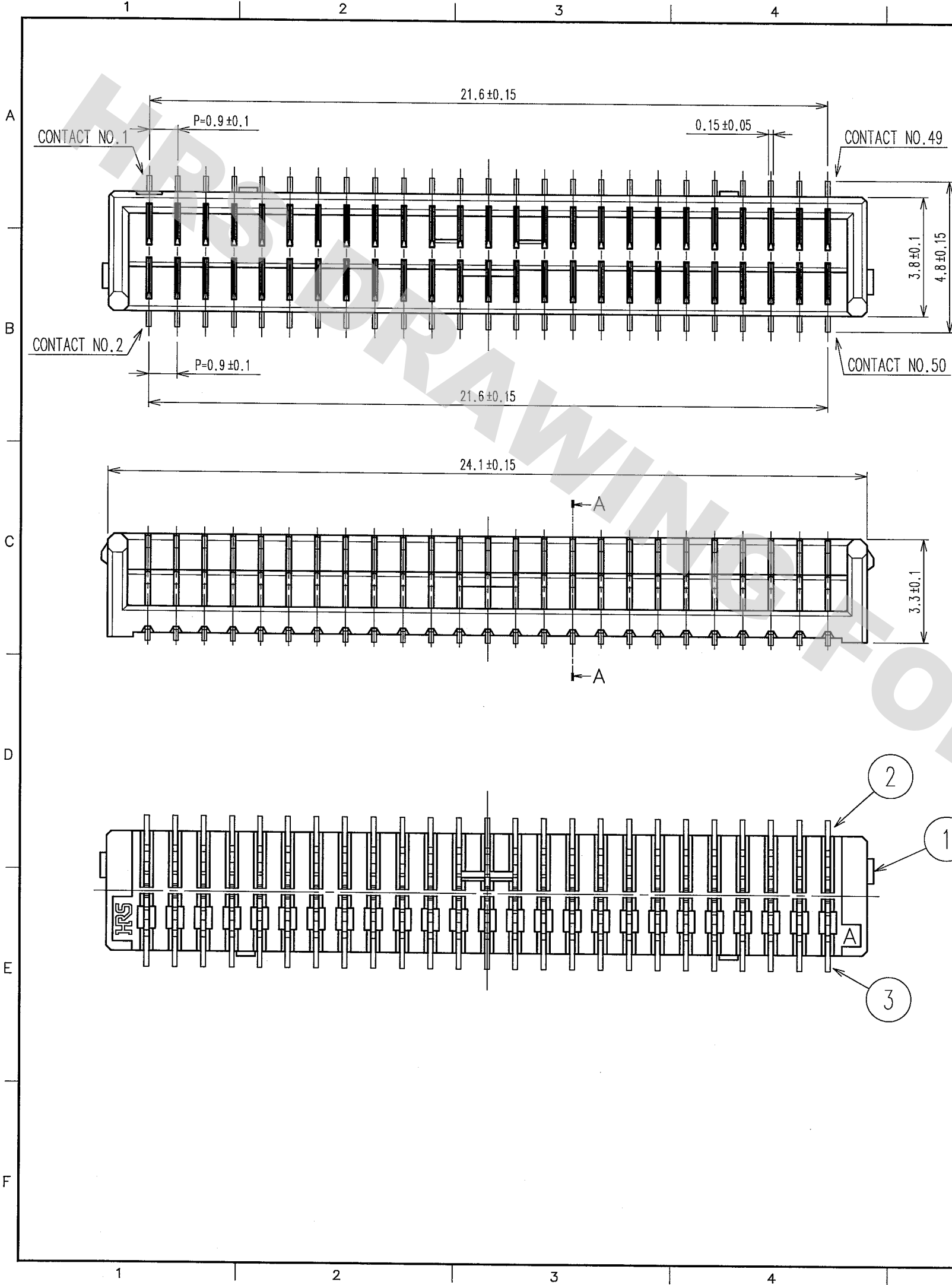


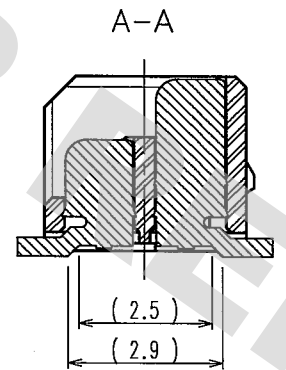
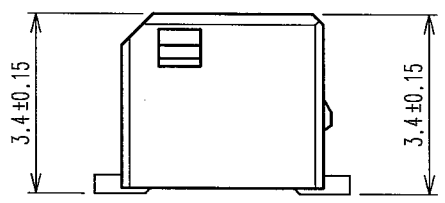
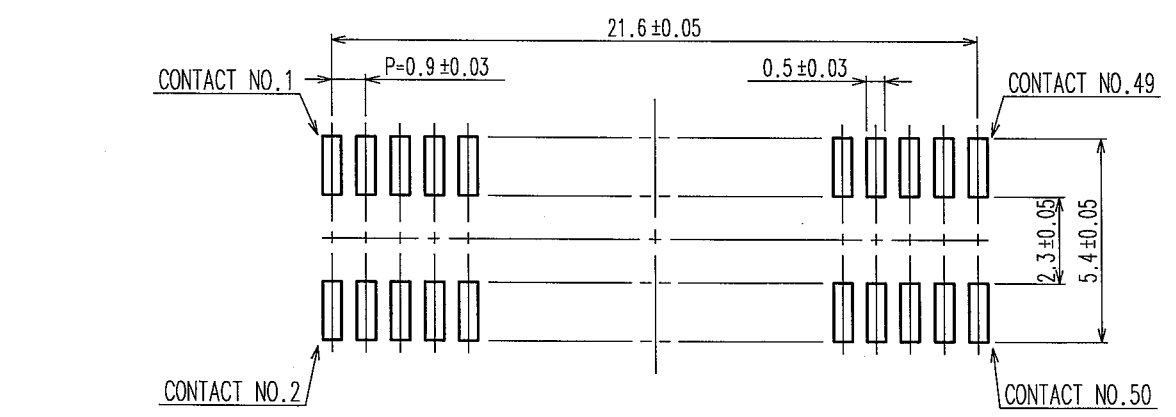
DRAWING FOR REFERENCE: This is subject to change without notice
08/11/2012

TO



COUNT	DESCRIPTION OF REVISIONS	BY	CHKD	DATE	COUNT	DESCRIPTION OF REVISIONS	BY	CHKD	DATE

RECOMMENDED PATTERN(5:1)



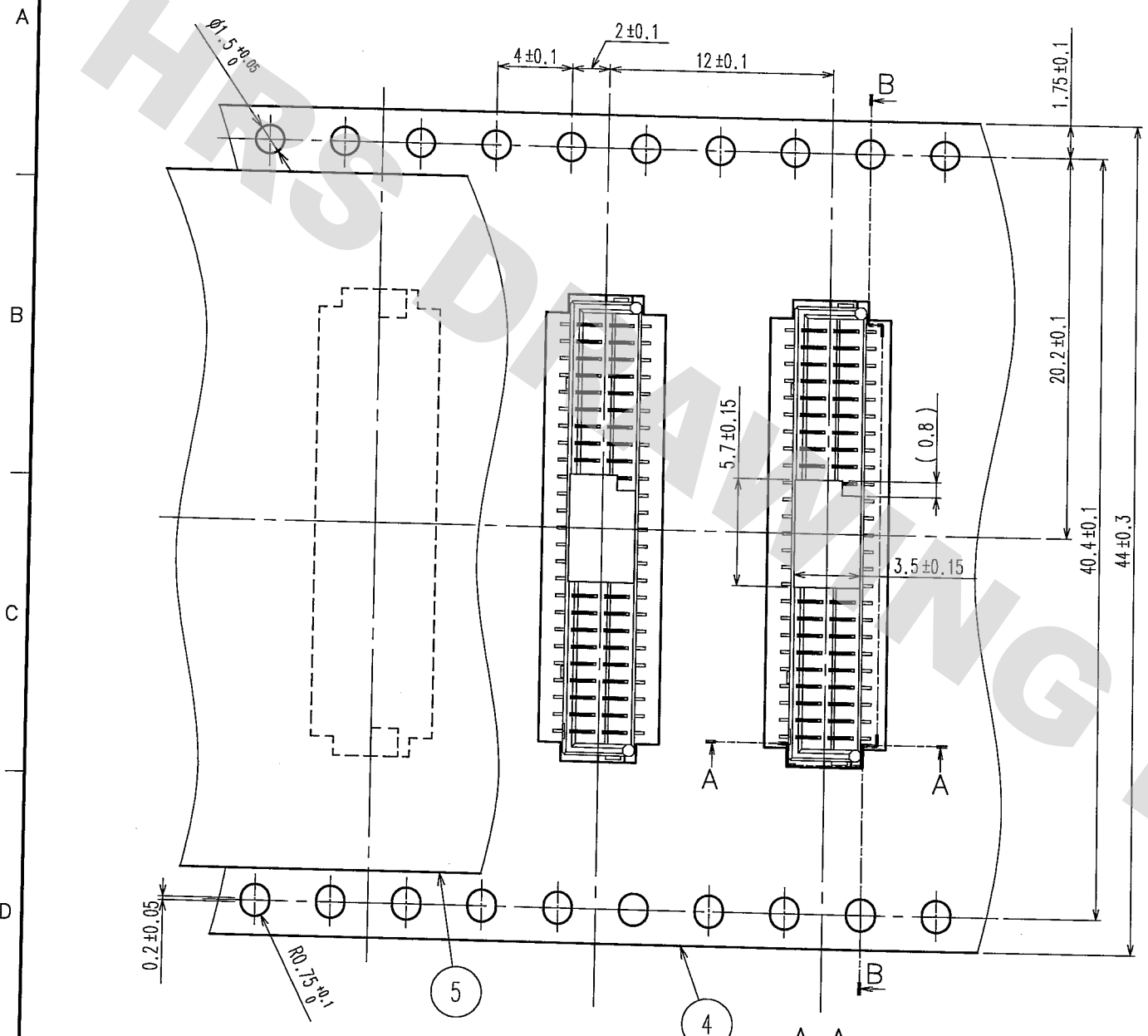
- NOTE 1 : LEAD CO-PLANARITY SHALL BE 0.1mm MAX.
 2 : () SIZE BE A REFERENCE SIZE.
 3 : CONTACT PLATING SPECIFICATION
 CONTACT AREA : GOLD PLATED 0.1μm min.
 LEAD AREA : GOLD FLASH PLATED.
 UNDER PLATING : NICKEL PLATED 1.5μm min.
 4 : PACKING SPECIFICATION IS SHOWN IN 2 PAGES.

NO.	MATERIAL	FINISH, REMARKS	NO.	MATERIAL	FINISH, REMARKS
3	PHOSPHOR BRONZE	3	6	POLYAMIDE	UL94V-0, BLACK
2			5	POLYESTER	COVER TAPE
1	POLYAMIDE	UL94V-0, BLACK	4	PS	EMBOSSED CARRIER TAPE

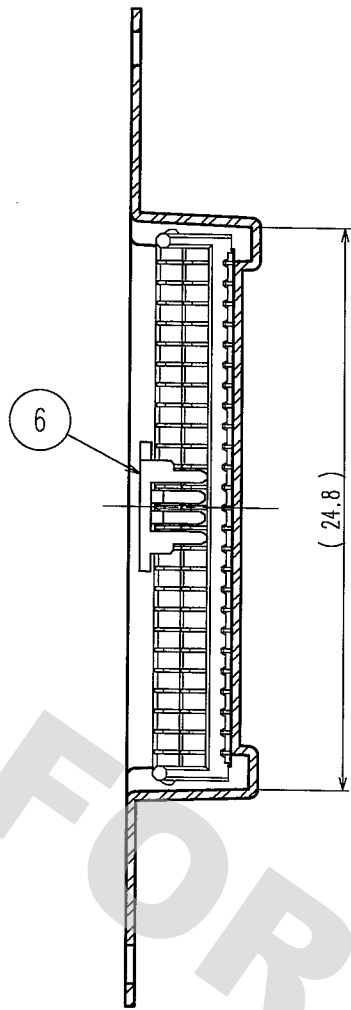
CODE NO. (OLD)	DRAWN	DESIGNED	CHECKED	APPROVED	RELEASED
	F.Matsuki	T.Kumazawa	H.Uehara	J. Ona	
	'05.08.31	'05.08.31	'05.09.01	'05.09.01	

SCALE	DRAWING NO.	PART NO.
FR:EE	EDC3-301587-01	DF24A-50DP-0.9V(51)
UNITS	HRS HIROSE ELECTRIC CO., LTD	CODE NO.
mm		CL687-3209-2-51

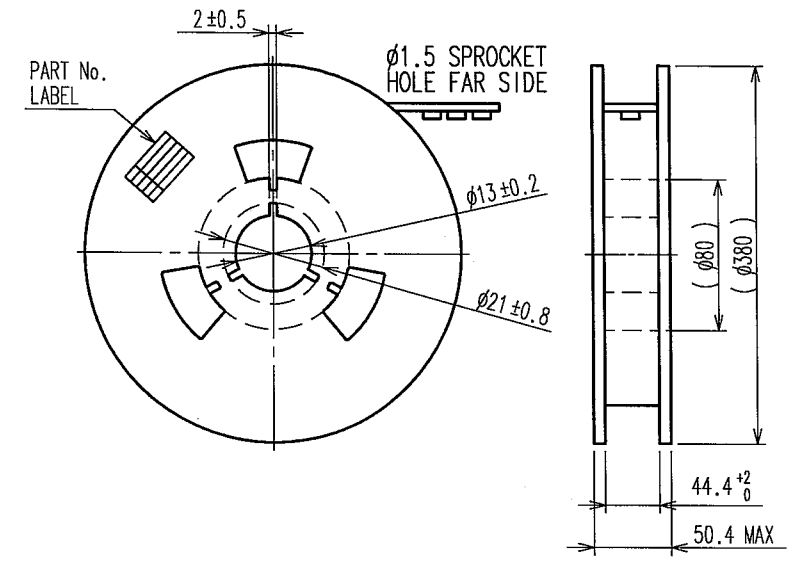
COUNT	DESCRIPTION OF REVISIONS	BY	CHKD	DATE	COUNT	DESCRIPTION OF REVISIONS	BY	CHKD	DATE



B-B



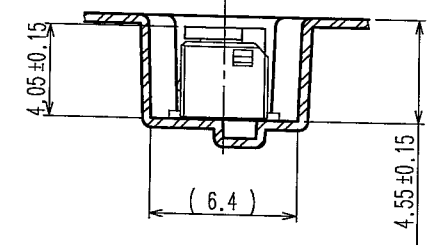
STYLE AND DIMMENSION OF REEL (FREE)



DETAIL OF PART No. LABEL

DATE OF MANUFACTURED	** * * *
CODE NO.	CL687-3209-2-51
PART NO.	DF24A-50DP-0.9V(51)
QUANTITY	1000 PCS
SUPPLIER	HIROSE ELECTRIC CO., LTD.

DIRECTION OF UNREELING



NOTES 5 : 1000 PIECES PER REEL.
6 : AT THE BEGINING OF THE REEL, 100mm MAX SHALL BE EMPTY.
AT THE END OF THE REEL, 160mm MAX SHALL BE EMPTY.

DRAWING FOR REFERENCE: This is subject to change without notice
08/11/2012

TO

CODE NO. (OLD)	DRAWN	DESIGNED	CHECKED	APPROVED	RELEASED
	F. Matsuki	T. Kumazawa	H. Umehara	J. Ono	
	'05.08.31	'05.08.31	'05.09.01	'05.09.01	
SCALE	DRAWING NO.		PART NO.		
FR:EE	EDC3-301587-01		DF24A-50DP-0.9V(51)		
UNITS	HIROSE ELECTRIC CO., LTD		CODE NO.		
mm	HRS		CL687-3209-2-51		

X-ON Electronics

Largest Supplier of Electrical and Electronic Components

Click to view similar products for [Headers & Wire Housings](#) category:

Click to view products by [Hirose](#) manufacturer:

Other Similar products are found below :

[892-18-020-10-001101](#) [58102-G61-06LF](#) [582553-1](#) [0009485154](#) [009176003701906](#) [0050291907](#) [LY20-4P-DT1-P1E-BR](#) [02.125.8002.8](#)
[609-3404](#) [61062-3](#) [622-0430](#) [622-3653LF](#) [63453-116](#) [636-1030](#) [636-1427](#) [636-3427](#) [636-4007](#) [641938-9](#) [641991-4](#) [644827-2](#) [65817-010LF](#)
[65817-015LF](#) [65863-015LF](#) [66207-023LF](#) [67095-007LF](#) [67601157](#) [68648-049](#) [70.362.1628.0](#) [70-4210](#) [70-4226B](#) [70-4853B](#) [707-5020](#) [707-5028](#) [71.350.2428.0](#) [71918-208LF](#) [71961-016LF](#) [733-134](#) [733-162](#) [754199-000](#) [760-3052](#) [787-8014-00](#) [79531-3000](#) [FCN-360C032-B](#) [FCN-367T-T012/H](#) [FCN-723D010/2](#) [80.063.4001.1](#) [800-90-001-10-001000](#) [800-90-010-10-002000](#) [801-43-002-10-013000](#) [801-43-006-10-002000](#)