

COUNT	DESCRIPTION OF REVISIONS	BY	CHKD	DATE	COUNT	DESCRIPTION OF REVISIONS	BY	CHKD	DATE
5	RE-H-05647	A.H.K.A	T.S	03. 6. 30					
1	RE-H-05903	T.Y	T.S	03.11.13					

Fig.1 : A-A(10:1)

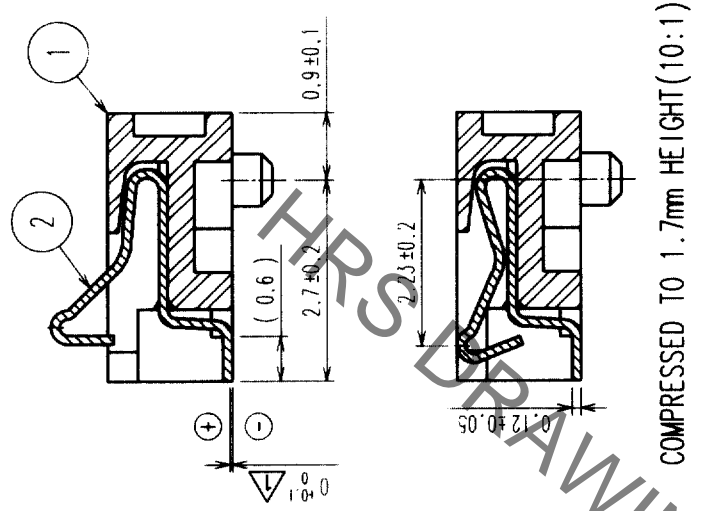


Fig.2 : PLATING SPECIFICATION (20:1)

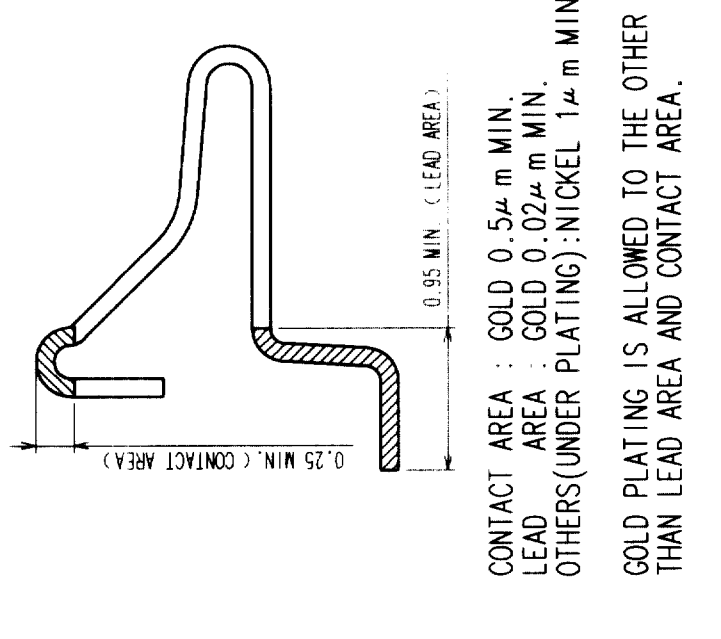


Fig.3 : RECOMMENDED PATTERN FOR MOUNTING (5:1)

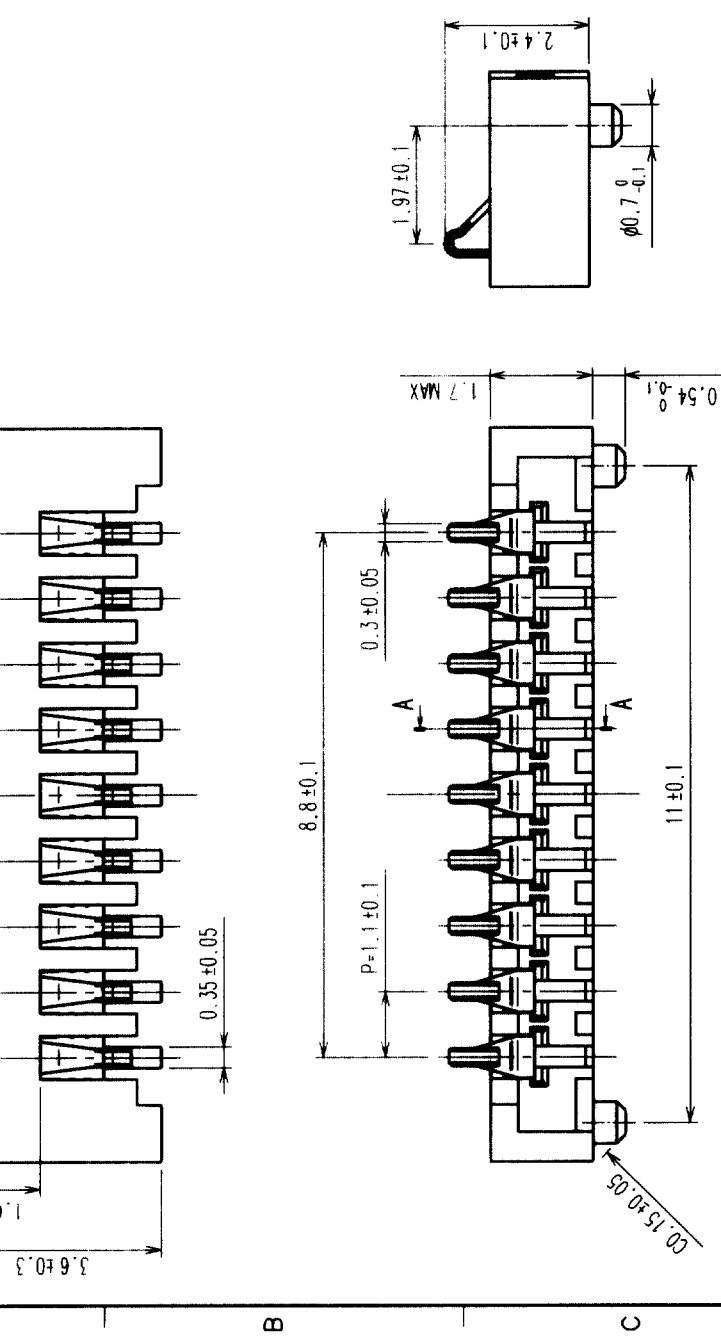
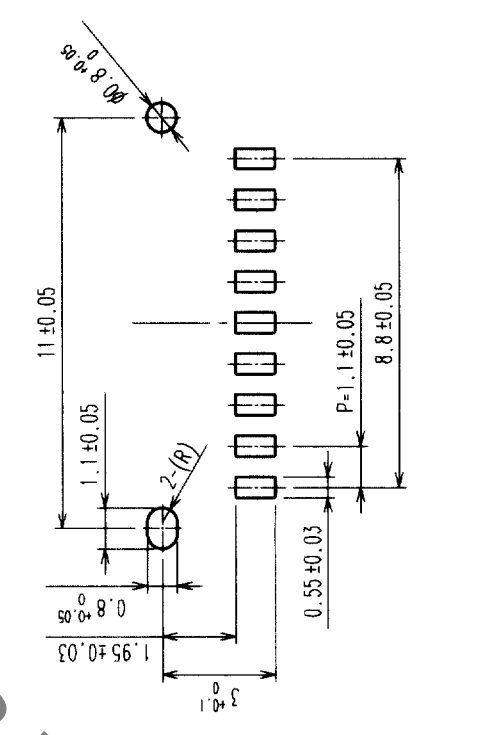


Fig.4 : RECOMMENDED PATTERN FOR MATING (5:1)



- NOTES 1. LEAD CO-PLANARITY SHALL BE WITHIN 0.1mm
2. THIS PRODUCT TO BE SHIPPED BY TAPE AND REEL PACKAGE.
REFER TO NEXT SHEET FOR DETAILS OF PACKAGING SPECIFICATIONS.

NO.	PHOSPHOR BRONZE	REFER TO Fig.2	4	POLYESTER	CLEAR(COVER TAPE)
1	LCP	BLACK, UL94V-0	3	PS	CLEAR(EMBOSSED CARRIER TAPE)
NO.	MATERIAL	FINISH, REMARKS	NO.	MATERIAL	FINISH, REMARKS
CODE NO. (OLD)					
DRAWN		DESIGNED		CHECKED	
T. Yamamoto		T. Yamamoto		K. Akiyama	
'02.10. 3		'02.10. 3		'02.10. 4	
APPROVED		APPROVED		RELEASED	
K. Katayose		K. Katayose			
'02.10. 4		'02.10. 4		'02.10. 4	

DRAWING NO.	EDC3-164058-01	PART NO.	DF26A1.7-9CP-1.1V(66)
SCALE	FREE	CODE NO.	CL661-0008-1-66
UNITS	mm		

TO	
----	--

In case of consideration for using Automotive equipment / device which demand high reliability, kindly contact our sales window correspondents.

Sep.1.2021 Copyright 2021 HIROSE ELECTRIC CO., LTD. All Rights Reserved.

COUNT		DESCRIPTION OF REVISIONS		BY		CHKD		DATE	

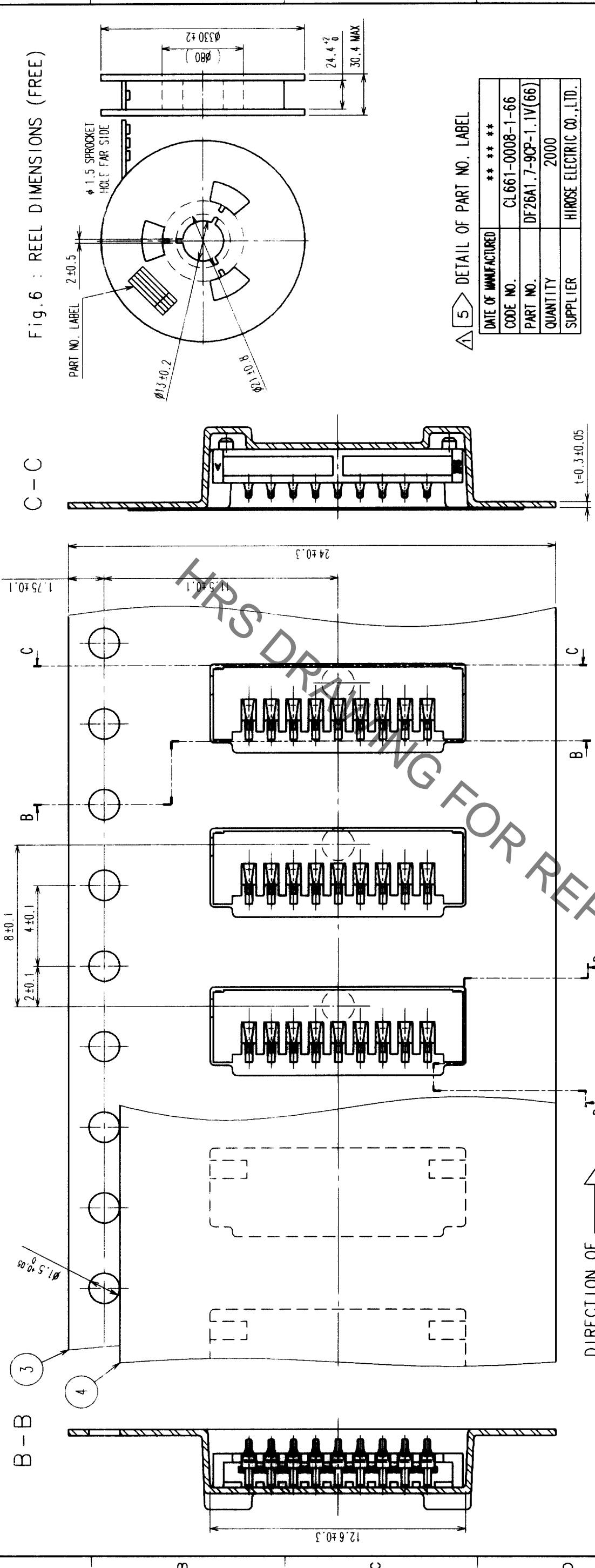


Fig.6 : REEL DIMENSIONS (FREE)



Fig.5 : TAPING (FREE)

NOTES 3. PER REEL : 2000 CONNECTORS
 4 REFER TO JIS C 0806
 (PACKAGING OF COMPONENTS FOR AUTOMATIC HANDLING)
 5 DETAIL OF PART NO. LABEL IS WRITTEN IN JAPANESE.

TO									

CODE NO. (OLD)	DRAWN	DESIGNED	CHECKED	APPROVED	RELEASED
	T. Yamamoto	T. Yamamoto	K. Akiyama	K. Katayose	
	'02.10.3	'02.10.3	'02.10.4	'02.10.4	

DRAWING NO.	PART NO.
EDC3-164058-01	DF26A1.7-9CP-1.1V(66)

SCALE	UNITS	mm
5 : 1		

X-ON Electronics

Largest Supplier of Electrical and Electronic Components

Click to view similar products for [Board to Board & Mezzanine Connectors](#) category:

Click to view products by [Hirose](#) manufacturer:

Other Similar products are found below :

[589158040000018](#) [MDF7C-18P-2.54DSA\(55\)](#) [FCN-230C068-11](#) [FCN-268F012-G/BD](#) [FCN-268F036-G/BD](#) [FCN-268M012-G/0D](#) [FCN-268M024-G/1D](#) [FCN-723J004/1](#) [MIS-048-01-F-D-DP-K](#) [832-10-034-10-001000](#) [FX4C-80S-1.27DSA](#) [FCN-214Q030-G/0](#) [FCN-234P048-G/0](#) [FCN-235D050-G/C](#) [210-93-314-41-105000](#) [2-22603-0](#) [MDF7-40DP-2.54DSA\(55\)](#) [AXG720047](#) [MIT-114-03-F-D-K](#) [55323-1519](#) [DF33-2P-3.3DSA\(24\)](#) [YFT-20-05-H-03-SB-K](#) [503308-3040](#) [026-6203-PDB](#) [027-6203-PDB](#) [069159702701000](#) [10123981-102LF](#) [101A10019X](#) [55650-0588-C](#) [68682-310LF](#) [68684-306](#) [75140-7012](#) [87471-650](#) [YTW-30-07-H-Q-410-140](#) [FCN-268F024-G0D](#) [10124054-515LF](#) [68685-603](#) [8-1616154-3](#) [MIS-019-01-F-D](#) [FCN-268M024-G/3D](#) [FCN-268M036-G/BD](#) [20021832-06016C1LF](#) [KX15-20KLDL-E1000E](#) [AXE810124](#) [FCN-214J100-G/0](#) [FCN-230C068-E/S](#) [AXE812124](#) [AXE816124](#) [AXE720127](#) [354184](#)