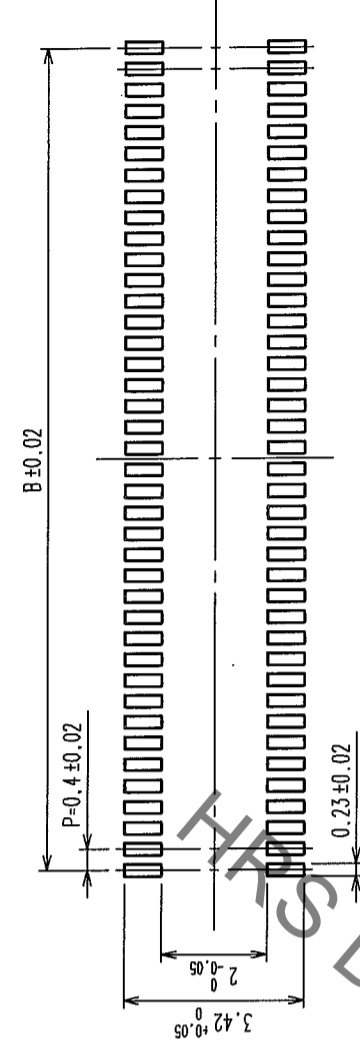
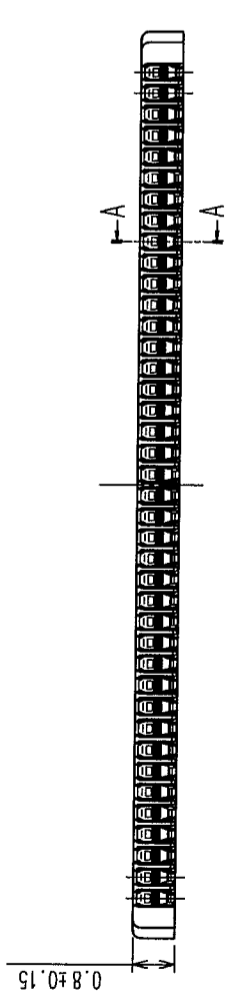
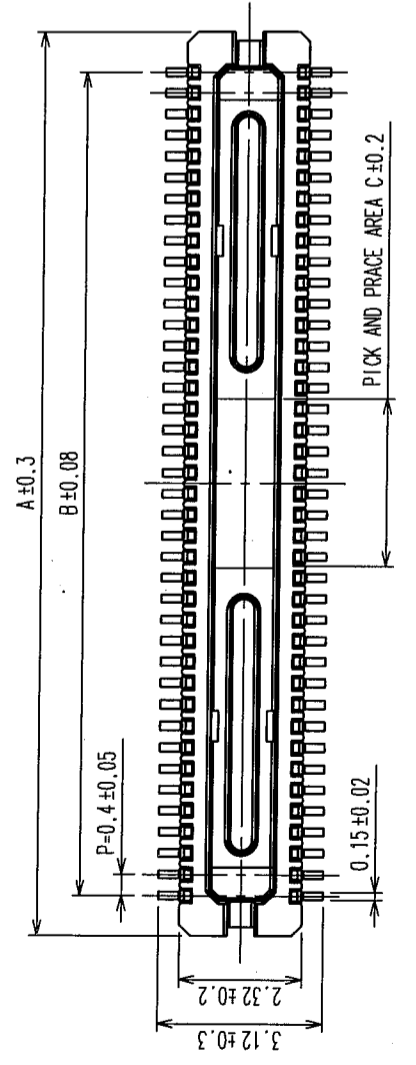


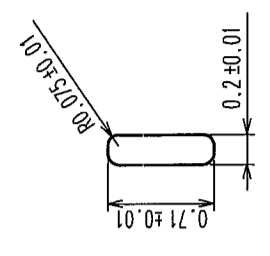
2 In case of consideration for using Automotive equipment / device which demand high reliability, kindly contact our sales window correspondents.

COUNT	DESCRIPTION OF REVISIONS	BY	CHKD	DATE	COUNT	DESCRIPTION OF REVISIONS	BY	CHKD	DATE
△					△				
△					△				
△					△				

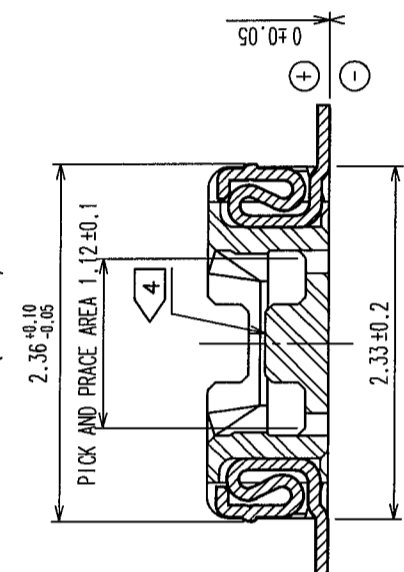


RECOMMENDED SOLDER PASTE: THICKNESS 120μm

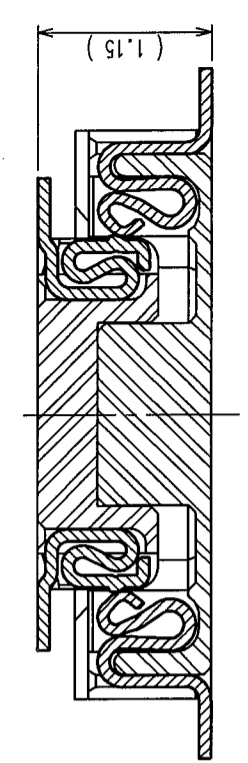
RECOMMENDED METAL MASK OPENING DIMENSIONS FOR LEAD PAD (20:1)



A-A(20:1)



ENGAGEMENT FIGURE(20:1)



- NOTE 1. ALL LEADS CO-PLANARITY SHALL BE 0.1 MAX.
 2. PER REEL : 1000 CONNECTORS.
 3. AT THE BEGINNING OF THE REEL, 100 mm AT MIN SHALL BE EMPTY POCKETS.
 AT THE END OF THE REEL, 160 mm AT MIN SHALL BE EMPTY POCKETS.
 4 NO CAVITY ON THE CONNECTORS LESS THAN 24 POS.
 5 CONTACT PLATING SPECIFICATIONS.

CONTACT AREA : GOLD 0.05μm MIN.
 SMT LEAD : GOLD 0.02μm MIN.
 UNDERPLATING : NICKEL 1μm MIN.
 (SURFACE : SEALING)

PART NO.	CODE NO.	A	B	C
DF30CJ-800P-0.4V(82)	CL684-1156-8-82	17.14	15.6	3.2
DF30CJ-700P-0.4V(82)	CL684-1155-5-82	15.14	13.6	2.8
DF30CJ-600P-0.4V(82)	CL684-1154-2-82	13.14	11.6	2.4
DF30CJ-500P-0.4V(82)	CL684-1153-0-82	11.14	9.6	2
DF30CJ-400P-0.4V(82)	CL684-1152-7-82	9.14	7.6	1.6
DF30CJ-340P-0.4V(82)	CL684-1151-4-82	7.94	6.4	1.36
DF30CJ-300P-0.4V(82)	CL684-1150-1-82	7.14	5.6	1.2
DF30CJ-240P-0.4V(82)	CL684-1149-2-82	5.94	4.4	1.2
DF30CJ-220P-0.4V(82)	CL684-1148-0-82	5.54	4.0	1.2
DF30CJ-200P-0.4V(82)	CL684-1147-7-82	5.14	3.6	1.2

NO.	MATERIAL	FINISH, REMARKS	NO.	MATERIAL	FINISH, REMARKS
2	PHOSPHOR BRONZE	5	PS	POLYESTER	BLACK(PLASTIC REEL)
1	LCP	UL94V-0, BLACK	4	POLYESTER	CLEAR(COVER TAPE)
			3	PS	CREAR (EMBOSSED CARRIER TAPE)

DRAWN	DESIGNED	CHECKED	APPROVED	RELEASED
F. Matsuki	A. Kobayashi	T. Miyayaki	J. Oka	
'05.03.08	'05.03.09	'05.03.09	'05.03.09	'05.03.09

DRAWING NO.	PART NO.
EDC3-304055-01	DF30CJ-*DP-0.4V(82)

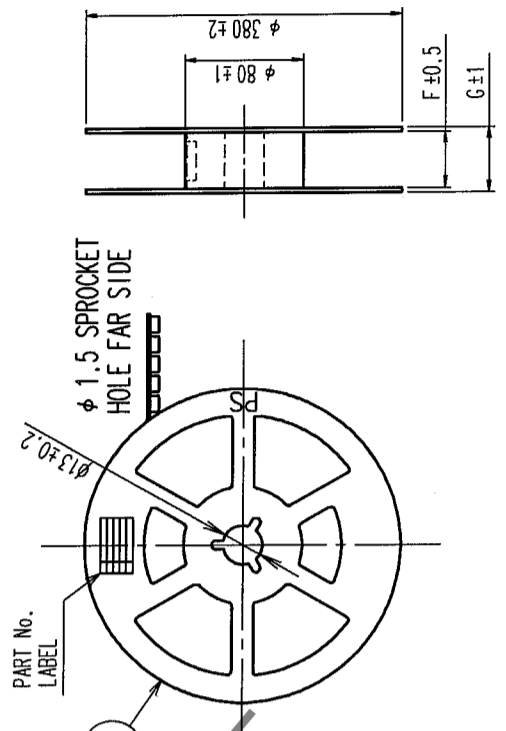
SCALE	UNITS
FREE	mm

HIROSE ELECTRIC CO., LTD

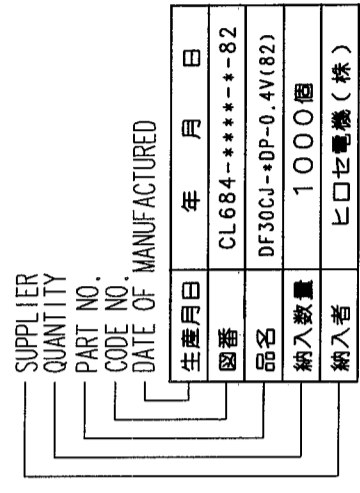
CL684-***-82

COUNT	DESCRIPTION OF REVISIONS	BY	CHKD	DATE	COUNT	DESCRIPTION OF REVISIONS	BY	CHKD	DATE

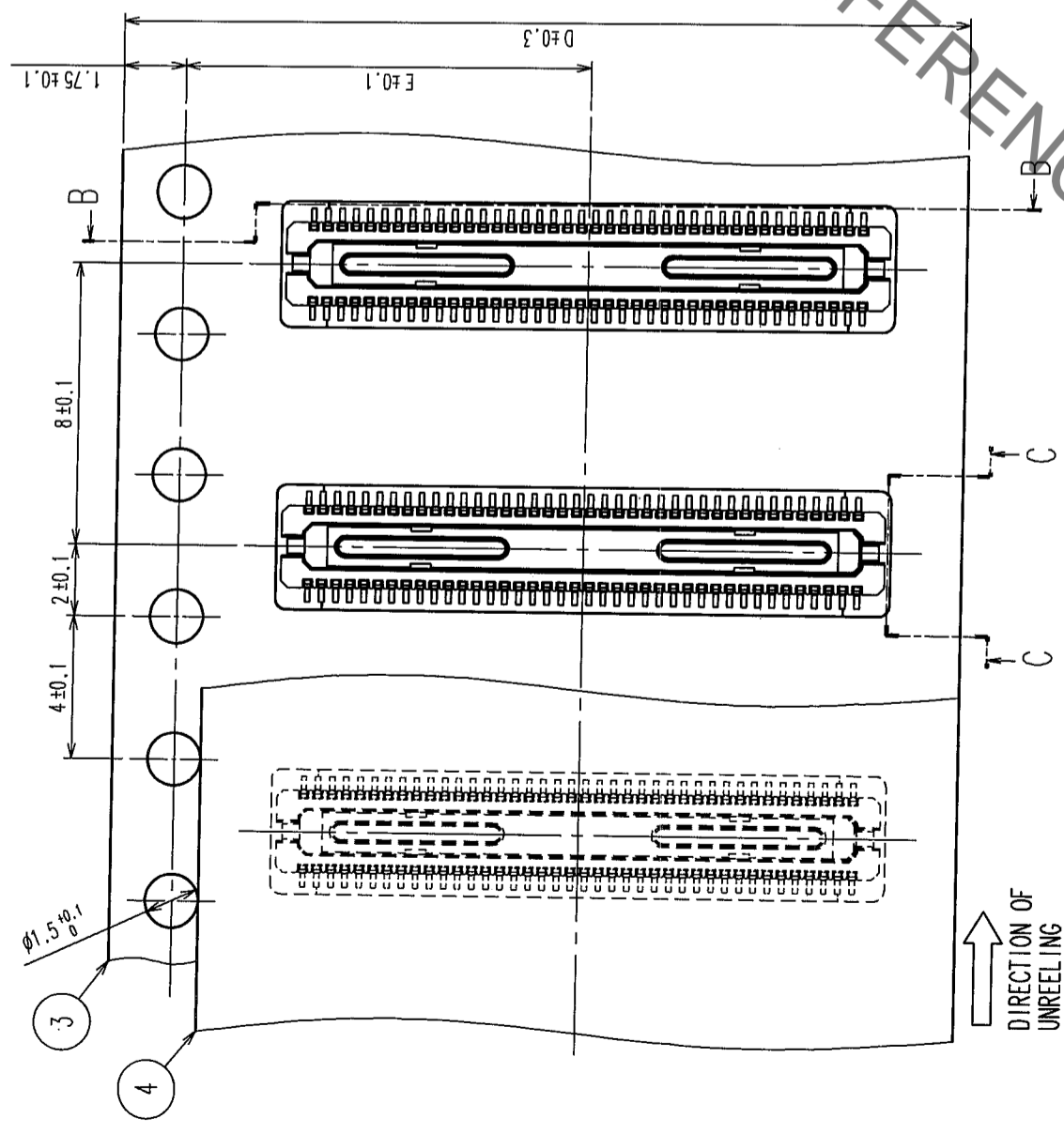
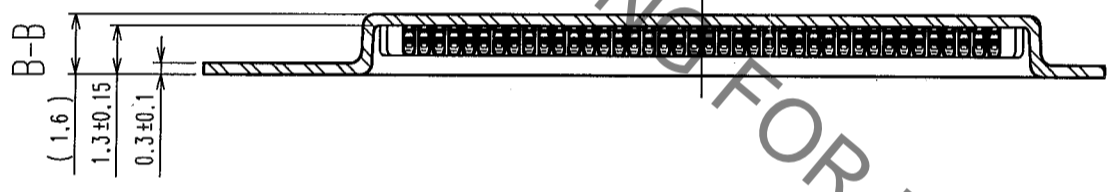
STYLE AND DIMENSION OF REEL (FREE SIZE)



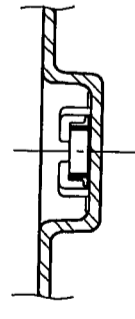
DETAIL OF PART NO. LABEL



PART No.	CODE No.	D	E	F	G
DF30CJ-80DP-0.4V(82)	CL684-1156-8-82	24	11.5	25.5	29.5
DF30CJ-70DP-0.4V(82)	CL684-1155-5-82	24	11.5	25.5	29.5
DF30CJ-60DP-0.4V(82)	CL684-1154-2-82	24	11.5	25.5	29.5
DF30CJ-50DP-0.4V(82)	CL684-1153-0-82	24	11.5	25.5	29.5
DF30CJ-40DP-0.4V(82)	CL684-1152-7-82	16	7.5	17.5	21.5
DF30CJ-34DP-0.4V(82)	CL684-1151-4-82	16	7.5	17.5	21.5
DF30CJ-30DP-0.4V(82)	CL684-1150-1-82	16	7.5	17.5	21.5
DF30CJ-24DP-0.4V(82)	CL684-1149-2-82	16	7.5	17.5	21.5
DF30CJ-22DP-0.4V(82)	CL684-1148-0-82	16	7.5	17.5	21.5
DF30CJ-20DP-0.4V(82)	CL684-1147-7-82	16	7.5	17.5	21.5



C-C



HRS DRAWING FOR REFERENCE

CODE NO. (OLD)		DRAWN	F. Matsuki	DESIGNED	A. Takahashi	CHECKED	J. Oka	APPROVED	J. Oka	RELEASED	
			'05.03.08		'05.03.08		'05.03.09		'05.03.09		
DRAWING NO.	EDC3-304055-01	PART NO.	DF30CJ-***DP-0.4V(82)								
SCALE	5 : 1	CODE NO.	CL684-***-82								
UNITS	mm	HIROSE ELECTRIC CO., LTD									

TO	

X-ON Electronics

Largest Supplier of Electrical and Electronic Components

Click to view similar products for [Board to Board & Mezzanine Connectors](#) category:

Click to view products by [Hirose](#) manufacturer:

Other Similar products are found below :

[589158040000018](#) [MDF7C-18P-2.54DSA\(55\)](#) [FCN-230C068-11](#) [FCN-268F012-G/BD](#) [FCN-268F036-G/BD](#) [FCN-268M012-G/0D](#) [FCN-268M024-G/1D](#) [FCN-723J004/1](#) [MIS-048-01-F-D-DP-K](#) [832-10-034-10-001000](#) [FX4C-80S-1.27DSA](#) [FCN-214Q030-G/0](#) [FCN-234P048-G/0](#) [FCN-235D050-G/C](#) [210-93-314-41-105000](#) [2-22603-0](#) [MDF7-40DP-2.54DSA\(55\)](#) [AXG720047](#) [MIT-114-03-F-D-K](#) [55323-1519](#) [DF33-2P-3.3DSA\(24\)](#) [YFT-20-05-H-03-SB-K](#) [503308-3040](#) [026-6203-PDB](#) [027-6203-PDB](#) [069159702701000](#) [10123981-102LF](#) [101A10019X](#) [55650-0588-C](#) [68682-310LF](#) [68684-306](#) [75140-7012](#) [87471-650](#) [FCN-268F024-G0D](#) [10124054-515LF](#) [68685-603](#) [8-1616154-3](#) [MIS-019-01-F-D](#) [FCN-268M024-G/3D](#) [FCN-268M036-G/BD](#) [20021832-06016C1LF](#) [KX15-20KLDL-E1000E](#) [AXE810124](#) [FCN-214J100-G/0](#) [FCN-230C068-E/S](#) [AXE812124](#) [AXE816124](#) [AXE720127](#) [354184](#) [MIT-019-04-F-D-K](#)