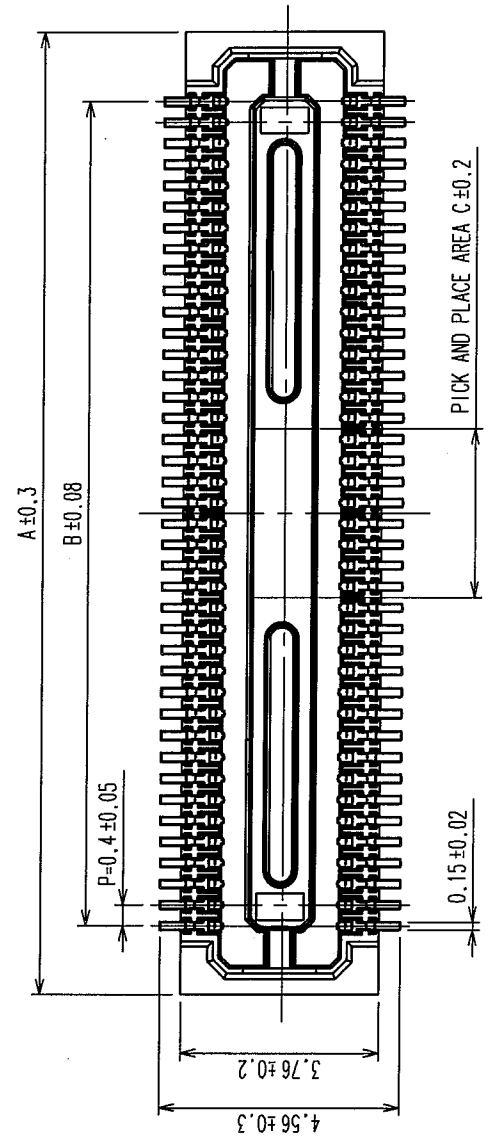
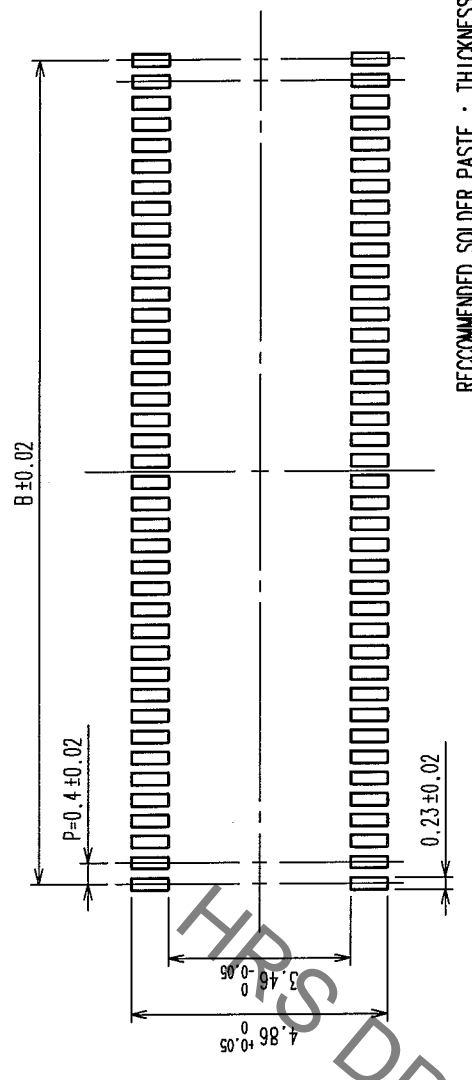


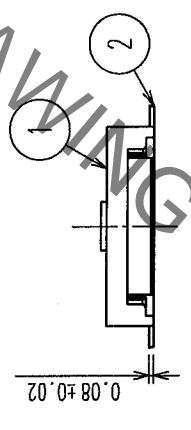
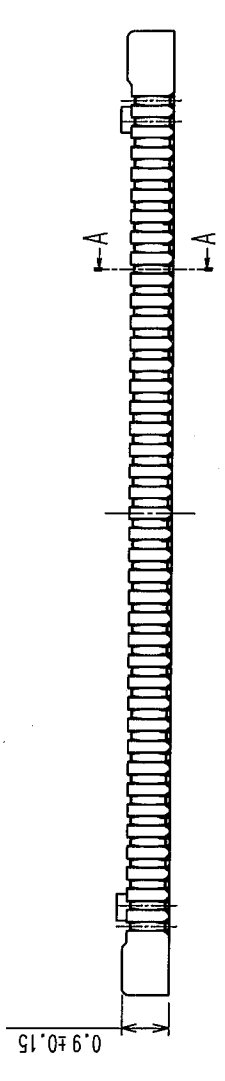
COUNT	DESCRIPTION OF REVISIONS	BY	CHKD	DATE	COUNT	DESCRIPTION OF REVISIONS	BY	CHKD	DATE



RECOMMEND PATTERN

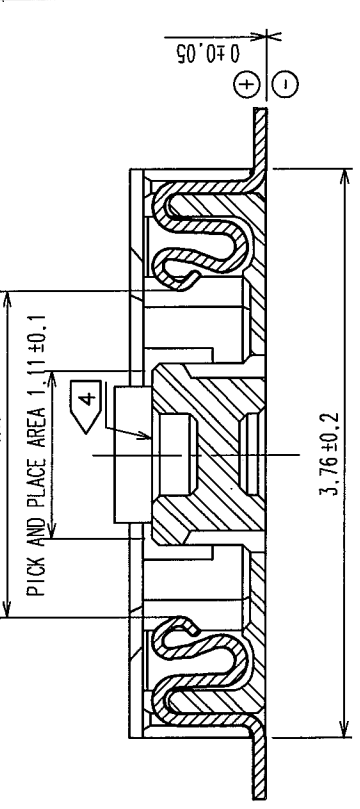


RECOMMENDED SOLDER PASTE : THICKNESS 120μm

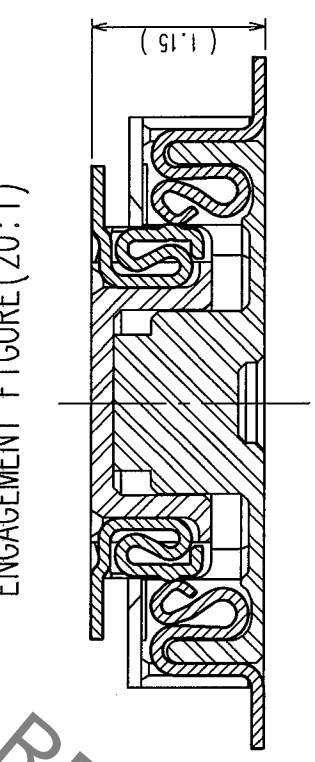


A-A(20:1)

2.16^{+0.05}_{-0.10}



ENGAGEMENT FIGURE (20:1)



PART NO.	CODE NO.	A	B	C
DF30CJ-80DS-0.4V(82)	CL684-1158-3-82	18.22	15.6	3.2
DF30CJ-70DS-0.4V(82)	CL684-1163-3-82	16.22	13.6	2.8
DF30CJ-60DS-0.4V(82)	CL684-1162-0-82	14.22	11.6	2.4
DF30CJ-50DS-0.4V(82)	CL684-1161-8-82	12.22	9.6	2
DF30CJ-40DS-0.4V(82)	CL684-1084-9-82	10.22	7.6	1.6
DF30CJ-34DS-0.4V(82)	CL684-1164-6-82	9.02	6.4	1.36
DF30CJ-30DS-0.4V(82)	CL684-1160-5-82	8.22	5.6	1.2
DF30CJ-24DS-0.4V(82)	CL684-1086-4-82	7.02	4.4	1.2
DF30CJ-22DS-0.4V(82)	CL684-1159-6-82	6.62	4.0	1.2
DF30CJ-20DS-0.4V(82)	CL684-1085-1-82	6.22	3.6	1.2

2	PHOSPHOR BRONZE	5	PS	BLACK(PLASTIC REEL)	
1	LCP	4	POLYESTER	CLEAR(COVER TAPE)	
		3	PS	CLEAR(EMBOSSED CARRIER TAPE)	
NO.	MATERIAL	FINISH, REMARKS	NO.	MATERIAL	FINISH, REMARKS

CODE NO. (OLD)	DRAWN	DESIGNED	CHECKED	APPROVED	RELEASED
	F. Matsuki	A. Takahashi	T. Miyagaki	J. Oma	
	'05.03.08	'05.03.09	'05.03.09	'05.03.09	
DRAWING NO.	PART NO.				
EDC3-304208-01	DF30CJ-*DS-0.4V(82)				
SCALE	CODE NO.				
FREE	CL684-***-82				
UNITS	HIROSE ELECTRIC CO., LTD				

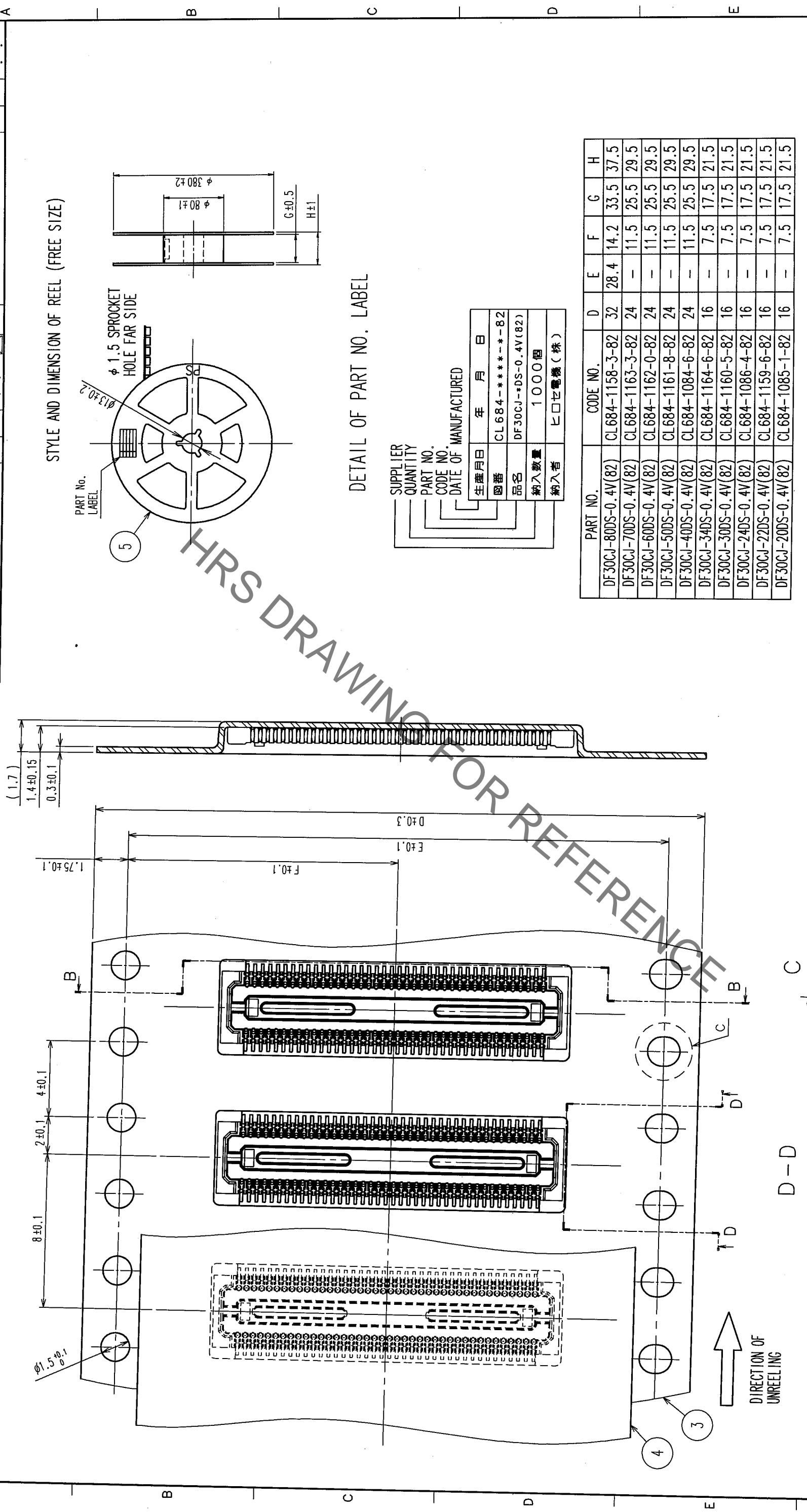
- NOTE 1. ALL LEADS CO-PLANARITY SHALL BE 0.1 MAX.
 2. PER REEL : 1000 CONNECTORS.
 3. AT THE BEGINNING OF THE REEL, 100 mm AT MIN SHALL BE EMPTY POCKETS.
 AT THE END OF THE REEL, 160 mm AT MIN SHALL BE EMPTY POCKETS.
 NO CAVITY ON THE CONNECTORS LESS THAN 24 POS.
 CONTACT PLATING SPECIFICATIONS.
 CONTACT AREA : GOLD 0.05μm MIN.
 SMT LEAD : GOLD 0.02μm MIN.
 UNDERPLATING : NICKEL 1μm MIN.
 (SURFACE : SEALING)

TO	

2 In case of consideration for using Automotive equipment / device which demand high reliability, kindly contact our sales window correspondents.

3 Sep.1.2019 Copyright 2019 HIROSE ELECTRIC CO., LTD. All Rights Reserved.

COUNT	DESCRIPTION OF REVISIONS	BY	CHKD	DATE	COUNT	DESCRIPTION OF REVISIONS	BY	CHKD	DATE



STYLE AND DIMENSION OF REEL (FREE SIZE)

DETAIL OF PART NO. LABEL

SUPPLIER QUANTITY PART NO. CODE NO. DATE OF MANUFACTURED

生産月日	年	月	日
図番	CL684-***-82		
品名	DF30CJ-DS-0.4V(82)		
納入数量	1000個		
納入者	ヒロセ電機(株)		

PART NO.	CODE NO.	D	E	F	G	H
DF30CJ-80DS-0.4V(82)	CL684-1158-3-82	32	28.4	14.2	33.5	37.5
DF30CJ-70DS-0.4V(82)	CL684-1163-3-82	24	-	11.5	25.5	29.5
DF30CJ-60DS-0.4V(82)	CL684-1162-0-82	24	-	11.5	25.5	29.5
DF30CJ-50DS-0.4V(82)	CL684-1161-8-82	24	-	11.5	25.5	29.5
DF30CJ-40DS-0.4V(82)	CL684-1084-6-82	24	-	11.5	25.5	29.5
DF30CJ-34DS-0.4V(82)	CL684-1164-6-82	16	-	7.5	17.5	21.5
DF30CJ-30DS-0.4V(82)	CL684-1160-5-82	16	-	7.5	17.5	21.5
DF30CJ-24DS-0.4V(82)	CL684-1086-4-82	16	-	7.5	17.5	21.5
DF30CJ-22DS-0.4V(82)	CL684-1159-6-82	16	-	7.5	17.5	21.5
DF30CJ-20DS-0.4V(82)	CL684-1085-1-82	16	-	7.5	17.5	21.5

CODE NO. (OLD)

DRAWING NO. EDC3-304208-01

SCALE 5 : 1

UNITS mm

DRAWN F. Matsuki

DESIGNED A. Takahashi

CHECKED J. Oka

APPROVED J. Oka

RELEASED

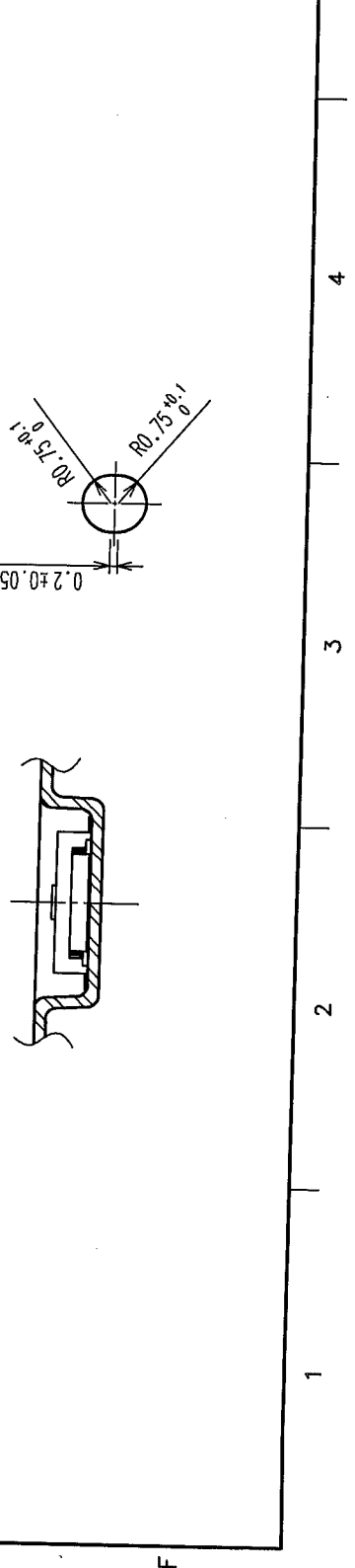
PART NO. DF30CJ-DS-0.4V(82)

CODE NO. CL684-***-82

DATE '05.03.08

DATE '05.03.09

DATE '05.03.09



X-ON Electronics

Largest Supplier of Electrical and Electronic Components

Click to view similar products for [Board to Board & Mezzanine Connectors](#) category:

Click to view products by [Hirose](#) manufacturer:

Other Similar products are found below :

[589158040000018](#) [MDF7C-18P-2.54DSA\(55\)](#) [FCN-230C068-11](#) [FCN-268F012-G/BD](#) [FCN-268F036-G/BD](#) [FCN-268M012-G/0D](#) [FCN-268M024-G/1D](#) [FCN-723J004/1](#) [MIS-048-01-F-D-DP-K](#) [832-10-034-10-001000](#) [FX4C-80S-1.27DSA](#) [FCN-214Q030-G/0](#) [FCN-234P048-G/0](#) [FCN-235D050-G/C](#) [210-93-314-41-105000](#) [2-22603-0](#) [MDF7-40DP-2.54DSA\(55\)](#) [AXG720047](#) [MIT-114-03-F-D-K](#) [55323-1519](#) [DF33-2P-3.3DSA\(24\)](#) [YFT-20-05-H-03-SB-K](#) [503308-3040](#) [026-6203-PDB](#) [027-6203-PDB](#) [069159702701000](#) [10123981-102LF](#) [101A10019X](#) [55650-0588-C](#) [68682-310LF](#) [68684-306](#) [75140-7012](#) [87471-650](#) [YTW-30-07-H-Q-410-140](#) [FCN-268F024-G0D](#) [10124054-515LF](#) [68685-603](#) [8-1616154-3](#) [MIS-019-01-F-D](#) [FCN-268M024-G/3D](#) [FCN-268M036-G/BD](#) [20021832-06016C1LF](#) [KX15-20KLDL-E1000E](#) [AXE810124](#) [FCN-214J100-G/0](#) [FCN-230C068-E/S](#) [AXE812124](#) [AXE816124](#) [AXE720127](#) [354184](#)