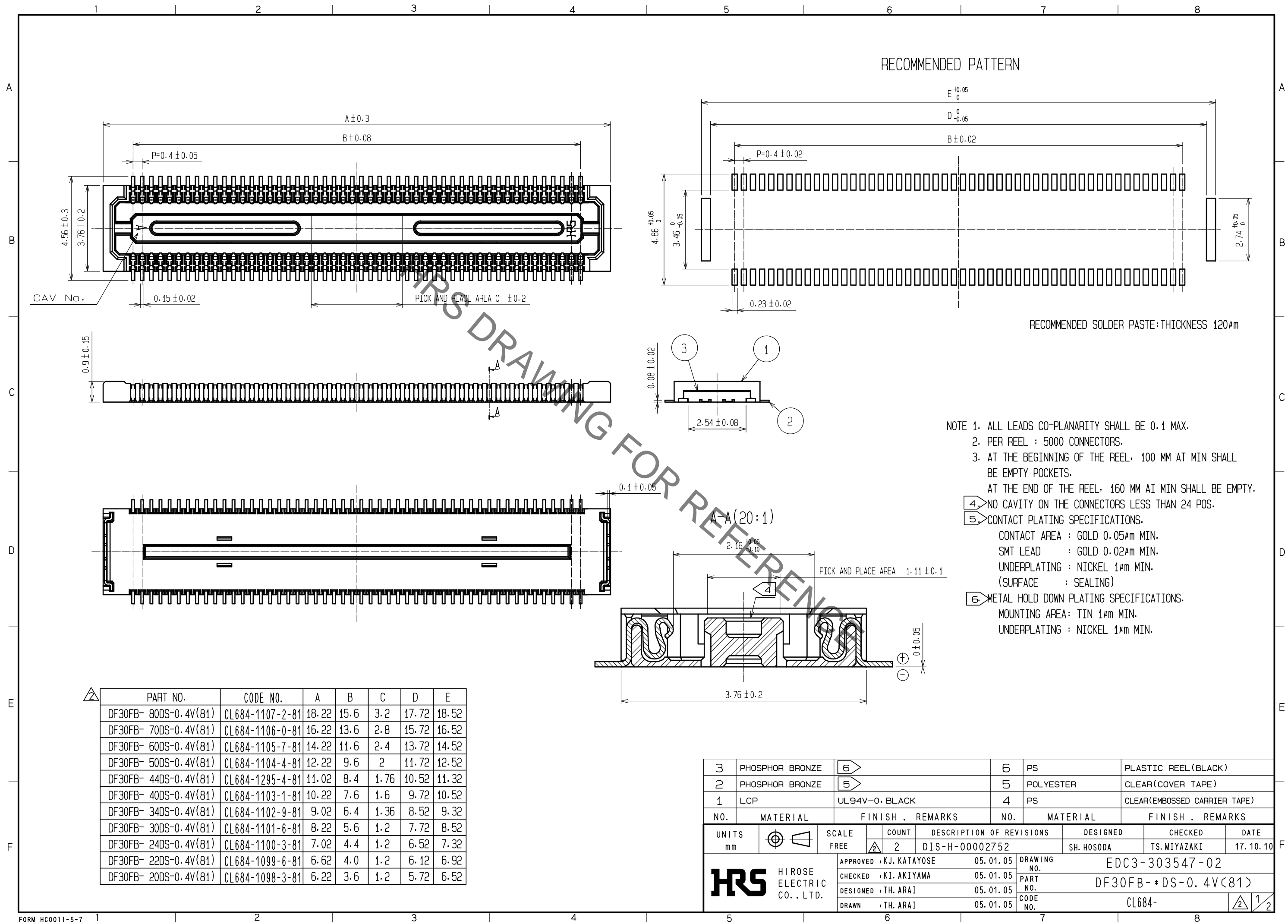


Dec.1.2019 Copyright 2019 HIROSE ELECTRIC CO., LTD. All Rights Reserved.  
In case of consideration for using Automotive equipment / device which demand high reliability, kindly contact our sales window correspondents.



- NOTE 1. ALL LEADS CO-PLANARITY SHALL BE 0.1 MAX.  
 2. PER REEL : 5000 CONNECTORS.  
 3. AT THE BEGINNING OF THE REEL, 100 MM AT MIN SHALL BE EMPTY POCKETS.  
 AT THE END OF THE REEL, 160 MM AT MIN SHALL BE EMPTY.  
 4. NO CAVITY ON THE CONNECTORS LESS THAN 24 POS.  
 5. CONTACT PLATING SPECIFICATIONS.  
 CONTACT AREA : GOLD 0.05µm MIN.  
 SMT LEAD : GOLD 0.02µm MIN.  
 UNDERPLATING : NICKEL 1µm MIN.  
 (SURFACE : SEALING)  
 6. METAL HOLD DOWN PLATING SPECIFICATIONS.  
 MOUNTING AREA: TIN 1µm MIN.  
 UNDERPLATING : NICKEL 1µm MIN.

△	PART NO.	CODE NO.	A	B	C	D	E
	DF30FB- 80DS-0.4V(81)	CL684-1107-2-81	18.22	15.6	3.2	17.72	18.52
	DF30FB- 70DS-0.4V(81)	CL684-1106-0-81	16.22	13.6	2.8	15.72	16.52
	DF30FB- 60DS-0.4V(81)	CL684-1105-7-81	14.22	11.6	2.4	13.72	14.52
	DF30FB- 50DS-0.4V(81)	CL684-1104-4-81	12.22	9.6	2	11.72	12.52
	DF30FB- 44DS-0.4V(81)	CL684-1295-4-81	11.02	8.4	1.76	10.52	11.32
	DF30FB- 40DS-0.4V(81)	CL684-1103-1-81	10.22	7.6	1.6	9.72	10.52
	DF30FB- 34DS-0.4V(81)	CL684-1102-9-81	9.02	6.4	1.36	8.52	9.32
	DF30FB- 30DS-0.4V(81)	CL684-1101-6-81	8.22	5.6	1.2	7.72	8.52
	DF30FB- 24DS-0.4V(81)	CL684-1100-3-81	7.02	4.4	1.2	6.52	7.32
	DF30FB- 22DS-0.4V(81)	CL684-1099-6-81	6.62	4.0	1.2	6.12	6.92
	DF30FB- 20DS-0.4V(81)	CL684-1098-3-81	6.22	3.6	1.2	5.72	6.52

NO.	MATERIAL	FINISH .	REMARKS	NO.	MATERIAL	FINISH .	REMARKS
3	PHOSPHOR BRONZE	6		6	PS		PLASTIC REEL (BLACK)
2	PHOSPHOR BRONZE	5		5	POLYESTER		CLEAR (COVER TAPE)
1	LCP		UL94V-0, BLACK	4	PS		CLEAR (EMBOSSED CARRIER TAPE)

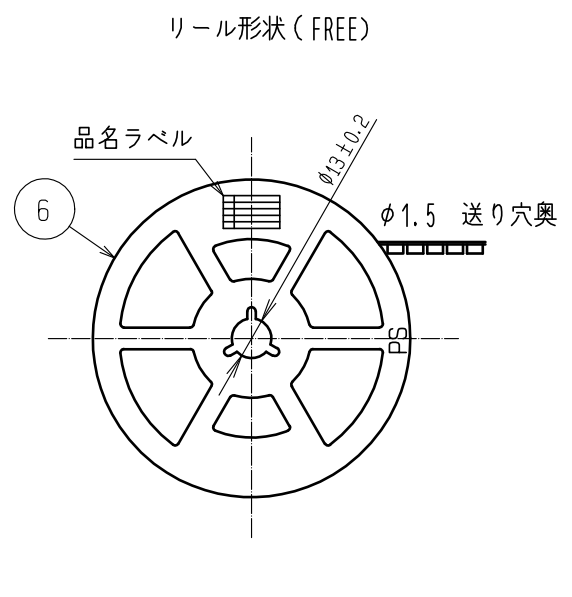
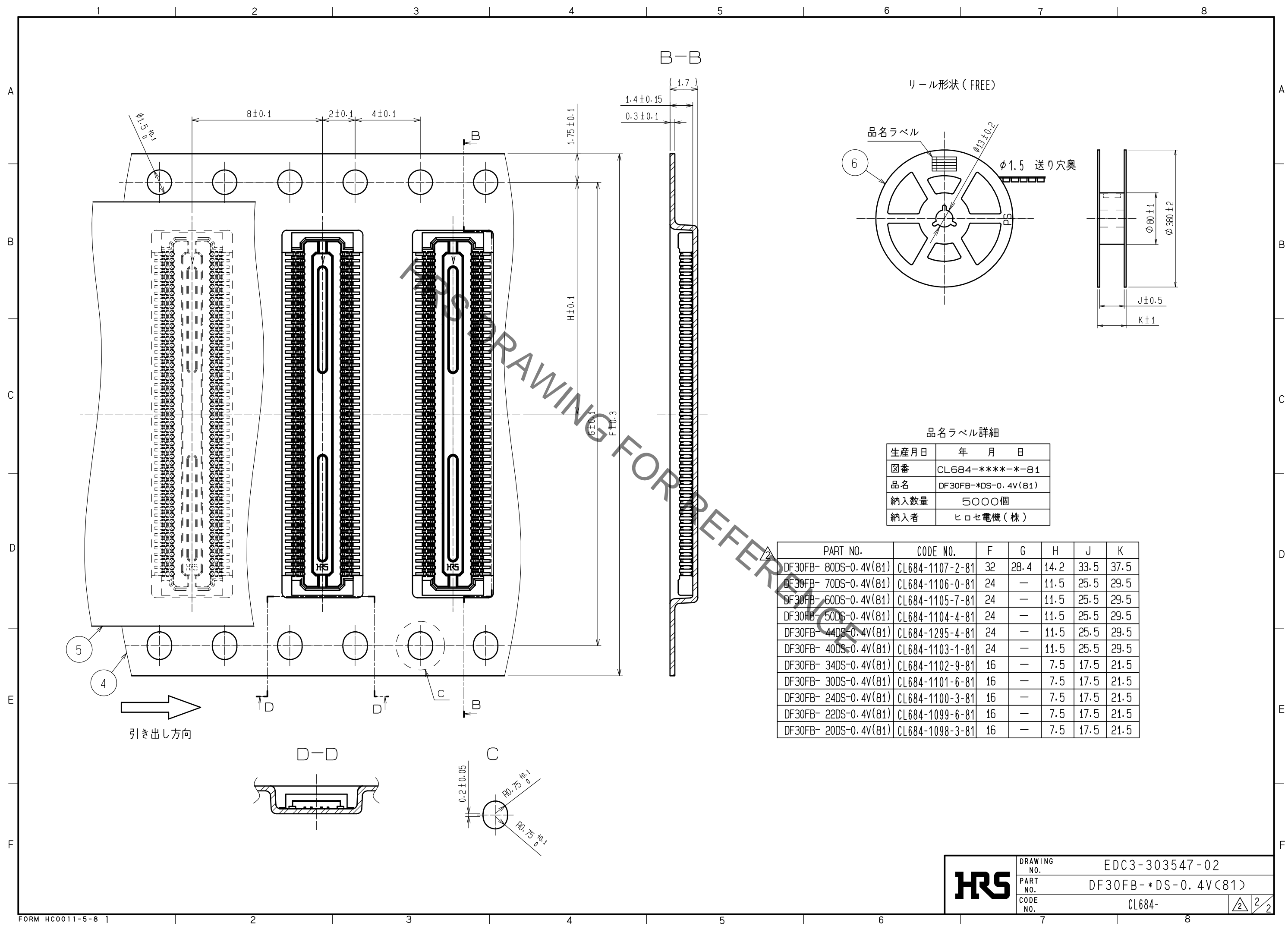
  

UNITS	SCALE	COUNT	DESCRIPTION OF REVISIONS	DESIGNED	CHECKED	DATE
mm	FREE	2	DIS-H-00002752	SH. HOSODA	TS. MIYAZAKI	17. 10. 10

APPROVED	: KJ. KATAYOSE	05. 01. 05	DRAWING NO.	EDC3-303547-02
CHECKED	: KI. AKIYAMA	05. 01. 05	PART NO.	DF30FB- *DS-0.4V(81)
DESIGNED	: TH. ARAI	05. 01. 05	CODE NO.	CL684-
DRAWN	: TH. ARAI	05. 01. 05		

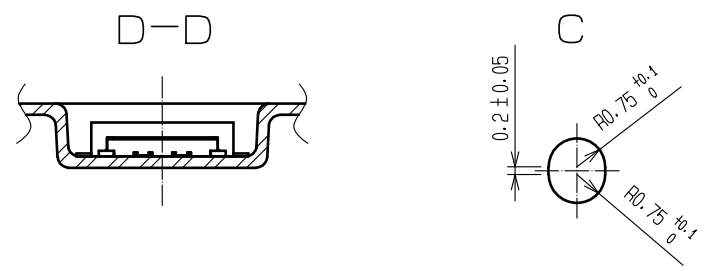
Dec.1.2019 Copyright 2019 HIROSE ELECTRIC CO., LTD. All Rights Reserved.  
 In case of consideration for using Automotive equipment / device which demand high reliability, kindly contact our sales window correspondents.



品名ラベル詳細

生産月日	年 月 日
図番	CL684-****-*B1
品名	DF30FB-*DS-0.4V(81)
納入数量	5000個
納入者	ヒロセ電機(株)

PART NO.	CODE NO.	F	G	H	J	K
DF30FB- 80DS-0.4V(81)	CL684-1107-2-81	32	28.4	14.2	33.5	37.5
DF30FB- 70DS-0.4V(81)	CL684-1106-0-81	24	—	11.5	25.5	29.5
DF30FB- 60DS-0.4V(81)	CL684-1105-7-81	24	—	11.5	25.5	29.5
DF30FB- 50DS-0.4V(81)	CL684-1104-4-81	24	—	11.5	25.5	29.5
DF30FB- 44DS-0.4V(81)	CL684-1295-4-81	24	—	11.5	25.5	29.5
DF30FB- 40DS-0.4V(81)	CL684-1103-1-81	24	—	11.5	25.5	29.5
DF30FB- 34DS-0.4V(81)	CL684-1102-9-81	16	—	7.5	17.5	21.5
DF30FB- 30DS-0.4V(81)	CL684-1101-6-81	16	—	7.5	17.5	21.5
DF30FB- 24DS-0.4V(81)	CL684-1100-3-81	16	—	7.5	17.5	21.5
DF30FB- 22DS-0.4V(81)	CL684-1099-6-81	16	—	7.5	17.5	21.5
DF30FB- 20DS-0.4V(81)	CL684-1098-3-81	16	—	7.5	17.5	21.5



<b>HRS</b>	DRAWING NO.	EDC3-303547-02	
	PART NO.	DF30FB-*DS-0.4V(81)	
	CODE NO.	CL684-	2/2

## X-ON Electronics

Largest Supplier of Electrical and Electronic Components

*Click to view similar products for [Board to Board & Mezzanine Connectors](#) category:*

*Click to view products by [Hirose](#) manufacturer:*

Other Similar products are found below :

[589158040000018](#) [FCN-230C068-11](#) [FCN-268F012-G/BD](#) [FCN-268F036-G/BD](#) [FCN-268M012-G/0D](#) [FCN-268M024-G/1D](#) [FCN-723J004/1](#) [MIS-048-01-F-D-DP-K](#) [832-10-034-10-001000](#) [FX4C-80S-1.27DSA](#) [FCN-214Q030-G/0](#) [FCN-234P048-G/0](#) [FCN-235D050-G/C](#) [2-22603-0](#) [AXG720047](#) [5031084030](#) [MIT-114-03-F-D-K](#) [55323-1519](#) [YFT-20-05-H-03-SB-K](#) [503308-3040](#) [026-6203-PDB](#) [027-6203-PDB](#) [069159702701000](#) [10123981-102LF](#) [101A10019X](#) [55650-0588-C](#) [68682-310LF](#) [68684-306](#) [75140-7012](#) [87471-650](#) [YTW-30-07-H-Q-410-140](#) [194261-1](#) [FCN-268F024-G0D](#) [10124054-515LF](#) [68685-603](#) [8-1616154-3](#) [MIS-019-01-F-D](#) [FCN-268M024-G/3D](#) [FCN-268M036-G/BD](#) [20021832-06016C1LF](#) [KX15-20KLDL-E1000E](#) [AXE810124](#) [FCN-214J100-G/0](#) [FCN-230C068-E/S](#) [AXE812124](#) [AXE816124](#) [AXE720127](#) [354184](#) [MIT-019-04-F-D-K](#) [P50-028-DDS-TG](#)