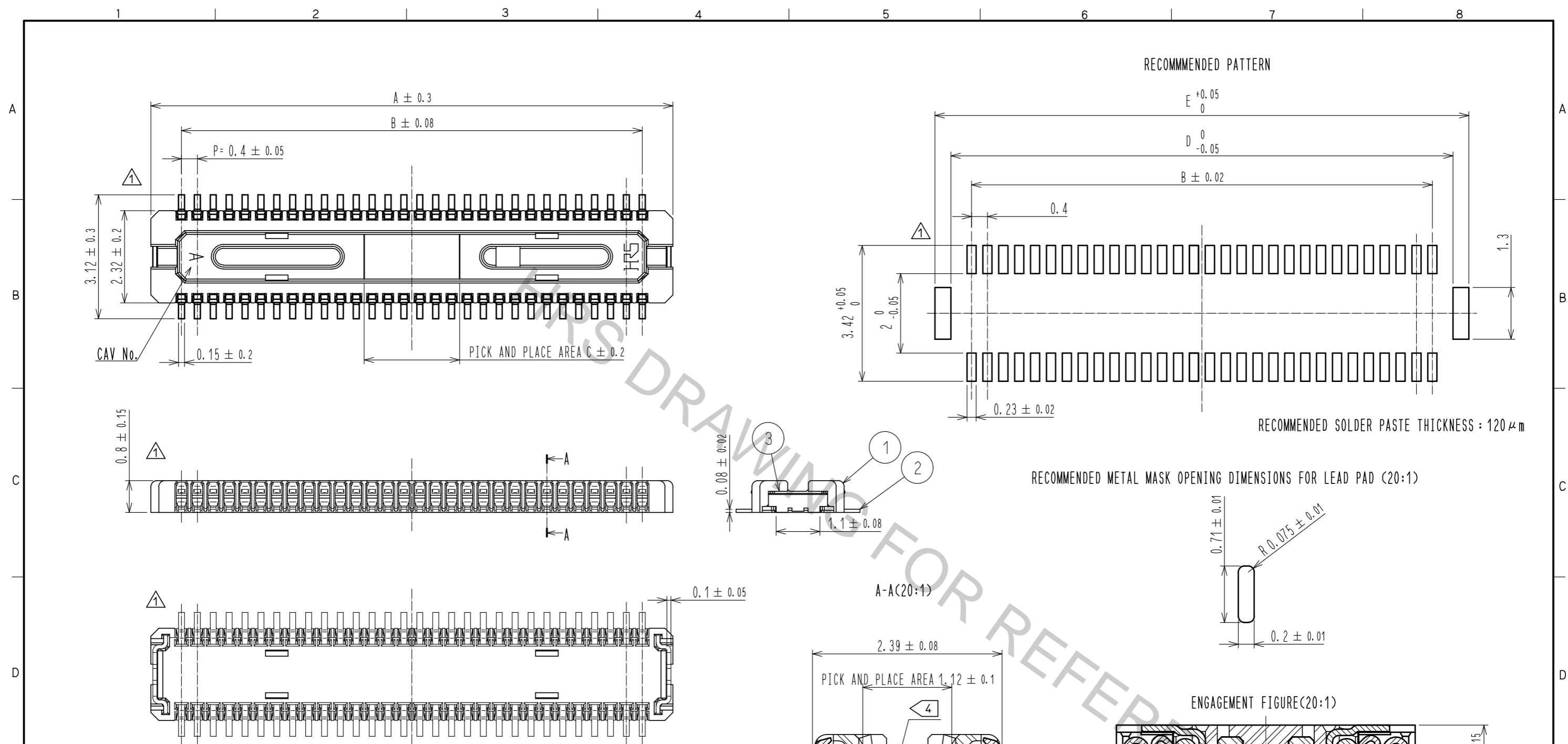


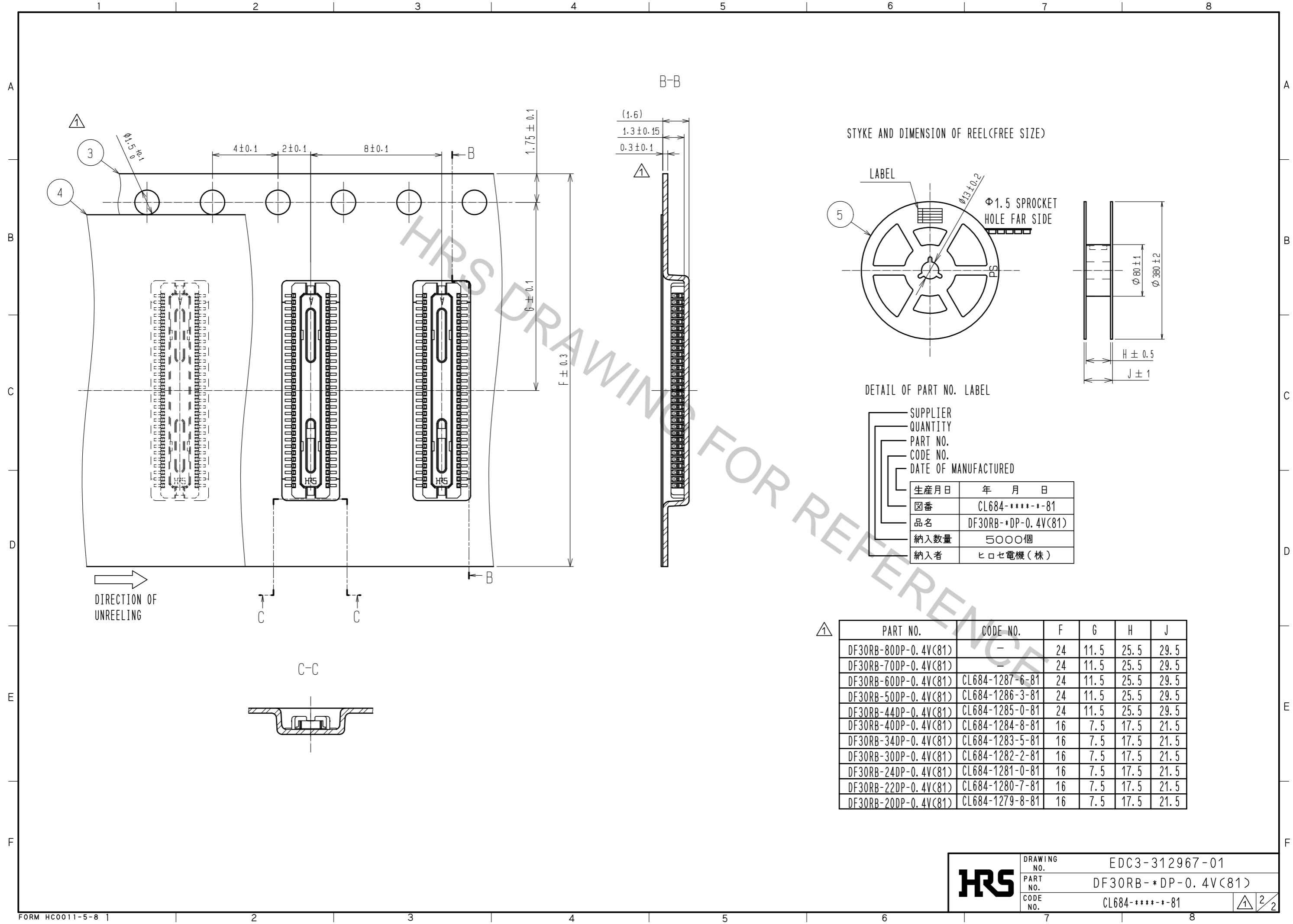
Feb.1.2018 Copyright 2018 HIROSE ELECTRIC CO., LTD. All Rights Reserved.



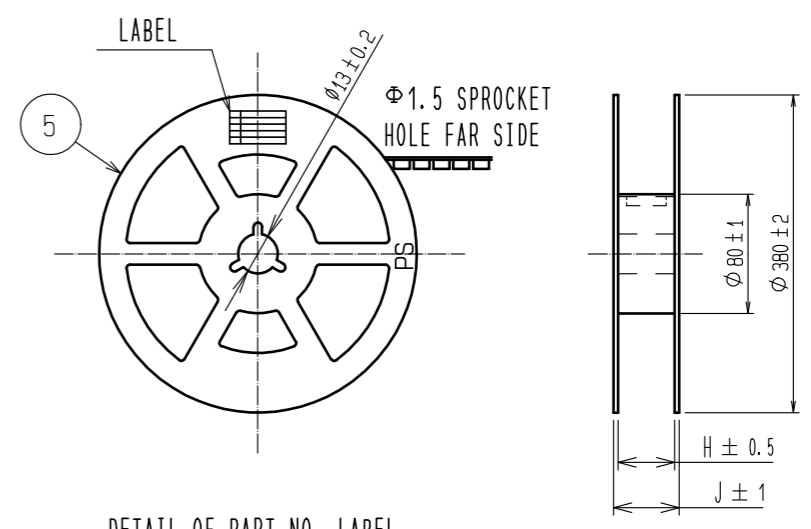
NOTE 1. ALL LEADS CO-PLANARITY SHALL BE 0.1 MAX.  
 2. PER REEL : 5000 CONNECTORS.  
 3. AT THE BEGINNING OF THE REEL, 100 mm AT MIN SHALL BE EMPTY POCKETS.  
 AT THE END OF THE REEL, 160 mm AT MIN SHALL BE EMPTY POCKETS  
 4 NO CAVITY ON THE CONNECTORS LESS THAN 24 POS.  
 5 CONTACT PLATING SPECIFICATIONS.  
 CONTACT AREA : GOLD 0.05 μm MIN.  
 SMT READ : GOLD 0.02 μm MIN.  
 UNDERPLATING : NICKEL 1 μm MIN.  
 (SURFACE : SEALING)

| PART NO.             | CODE NO.        | A     | B    | C   | D     | E     |
|----------------------|-----------------|-------|------|-----|-------|-------|
| DF30RB-80DP-0.4V(81) | -               | 17.14 | 15.6 | 3.2 | 16.64 | 17.44 |
| DF30RB-70DP-0.4V(81) | -               | 15.14 | 15.6 | 3.2 | 16.64 | 17.44 |
| DF30RB-60DP-0.4V(81) | CL684-1287-6-81 | 17.14 | 15.6 | 3.2 | 16.64 | 17.44 |
| DF30RB-50DP-0.4V(81) | CL684-1286-3-81 | 17.14 | 15.6 | 3.2 | 16.64 | 17.44 |
| DF30RB-44DP-0.4V(81) | CL684-1285-0-81 | 17.14 | 15.6 | 3.2 | 16.64 | 17.44 |
| DF30RB-40DP-0.4V(81) | CL684-1284-8-81 | 17.14 | 15.6 | 3.2 | 16.64 | 17.44 |
| DF30RB-34DP-0.4V(81) | CL684-1283-5-81 | 17.14 | 15.6 | 3.2 | 16.64 | 17.44 |
| DF30RB-30DP-0.4V(81) | CL684-1282-2-81 | 17.14 | 15.6 | 3.2 | 16.64 | 17.44 |
| DF30RB-24DP-0.4V(81) | CL684-1281-0-81 | 17.14 | 15.6 | 3.2 | 16.64 | 17.44 |
| DF30RB-22DP-0.4V(81) | CL684-1280-7-81 | 17.14 | 15.6 | 3.2 | 16.64 | 17.44 |
| DF30RB-20DP-0.4V(81) | CL684-1279-8-81 | 17.14 | 15.6 | 3.2 | 16.64 | 17.44 |

| 2                      | PHOSPHOR BRONZE | 5        | PS       | OLASTIC REEL(BLACK)          |          |                     |                          |            |              |          |
|------------------------|-----------------|----------|----------|------------------------------|----------|---------------------|--------------------------|------------|--------------|----------|
| 1                      | LCP             | 4        | POLYSTER | CLEAR(COVER TAPE)            |          |                     |                          |            |              |          |
|                        | UL94V-0. BLACK  | 3        | PS       | CLEAR(EMBOSSED CARRIER TAPE) |          |                     |                          |            |              |          |
| NO.                    | MATERIAL        | FINISH   | REMARKS  | NO.                          | MATERIAL | FINISH              | REMARKS                  |            |              |          |
| UNITS                  | mm              | SCALE    | ?        | 1                            | COUNT    | 8                   | DESCRIPTION OF REVISIONS | DESIGNED   | CHECKED      | DATE     |
|                        |                 |          |          |                              |          |                     | DIS-H-00002752           | SH. HOSODA | TS. MIYAZAKI | 17.10.10 |
| APPROVED : KH. IKEDA   |                 | 06.08.05 |          | DRAWING NO.                  |          | EDC3-312967-01      |                          |            |              |          |
| CHECKED : TS. MIYAZAKI |                 | 06.08.05 |          | PART NO.                     |          | DF30RB-*DP-0.4V(81) |                          |            |              |          |
| DESIGNED : TH. ARAI    |                 | 06.08.04 |          | CODE NO.                     |          | CL684-****-81       |                          |            |              |          |
| DRAWN : NM. SATO       |                 | 06.08.04 |          |                              |          |                     |                          |            |              |          |



STYKE AND DIMENSION OF REEL(FREE SIZE)



| PART NO.             | CODE NO.        | F  | G    | H    | J    |
|----------------------|-----------------|----|------|------|------|
| DF30RB-80DP-0.4V(81) | -               | 24 | 11.5 | 25.5 | 29.5 |
| DF30RB-70DP-0.4V(81) | -               | 24 | 11.5 | 25.5 | 29.5 |
| DF30RB-60DP-0.4V(81) | CL684-1287-6-81 | 24 | 11.5 | 25.5 | 29.5 |
| DF30RB-50DP-0.4V(81) | CL684-1286-3-81 | 24 | 11.5 | 25.5 | 29.5 |
| DF30RB-44DP-0.4V(81) | CL684-1285-0-81 | 24 | 11.5 | 25.5 | 29.5 |
| DF30RB-40DP-0.4V(81) | CL684-1284-8-81 | 16 | 7.5  | 17.5 | 21.5 |
| DF30RB-34DP-0.4V(81) | CL684-1283-5-81 | 16 | 7.5  | 17.5 | 21.5 |
| DF30RB-30DP-0.4V(81) | CL684-1282-2-81 | 16 | 7.5  | 17.5 | 21.5 |
| DF30RB-24DP-0.4V(81) | CL684-1281-0-81 | 16 | 7.5  | 17.5 | 21.5 |
| DF30RB-22DP-0.4V(81) | CL684-1280-7-81 | 16 | 7.5  | 17.5 | 21.5 |
| DF30RB-20DP-0.4V(81) | CL684-1279-8-81 | 16 | 7.5  | 17.5 | 21.5 |

|            |             |                     |
|------------|-------------|---------------------|
| <b>HRS</b> | DRAWING NO. | EDC3-312967-01      |
|            | PART NO.    | DF30RB-*DP-0.4V(81) |
|            | CODE NO.    | CL684-****-**-81    |

① 2/2

## X-ON Electronics

Largest Supplier of Electrical and Electronic Components

*Click to view similar products for [Board to Board & Mezzanine Connectors](#) category:*

*Click to view products by [Hirose](#) manufacturer:*

Other Similar products are found below :

[589158040000018](#) [FCN-230C068-11](#) [FCN-268F012-G/BD](#) [FCN-268F036-G/BD](#) [FCN-268M012-G/0D](#) [FCN-268M024-G/1D](#) [FCN-723J004/1](#) [MIS-048-01-F-D-DP-K](#) [832-10-034-10-001000](#) [FX4C-80S-1.27DSA](#) [FCN-214Q030-G/0](#) [FCN-234P048-G/0](#) [FCN-235D050-G/C](#) [2-22603-0](#) [AXG720047](#) [5031084030](#) [MIT-114-03-F-D-K](#) [55323-1519](#) [YFT-20-05-H-03-SB-K](#) [503308-3040](#) [026-6203-PDB](#) [027-6203-PDB](#) [069159702701000](#) [10123981-102LF](#) [101A10019X](#) [55650-0588-C](#) [68682-310LF](#) [68684-306](#) [75140-7012](#) [87471-650](#) [YTW-30-07-H-Q-410-140](#) [194261-1](#) [FCN-268F024-G0D](#) [10124054-515LF](#) [68685-603](#) [8-1616154-3](#) [MIS-019-01-F-D](#) [FCN-268M024-G/3D](#) [FCN-268M036-G/BD](#) [20021832-06016C1LF](#) [KX15-20KLDL-E1000E](#) [AXE810124](#) [FCN-214J100-G/0](#) [FCN-230C068-E/S](#) [AXE812124](#) [AXE816124](#) [AXE720127](#) [354184](#) [MIT-019-04-F-D-K](#) [P50-028-DDS-TG](#)