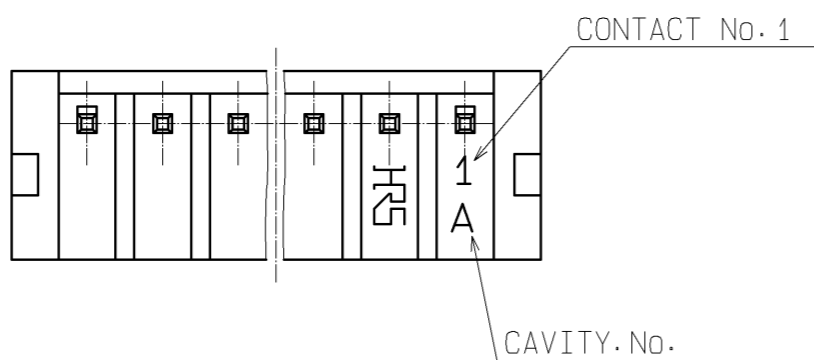
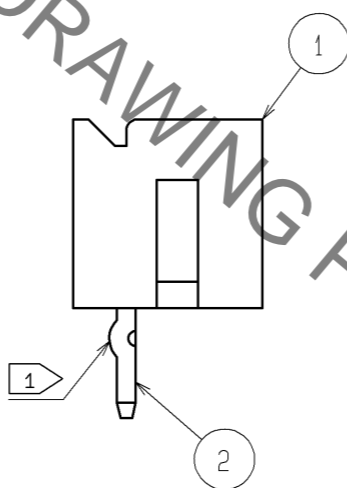
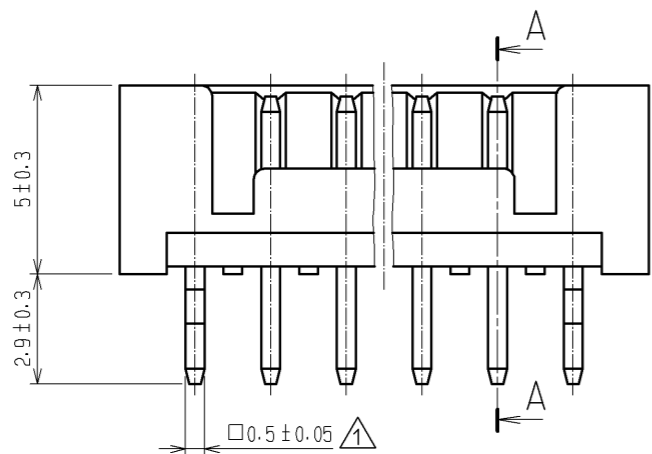
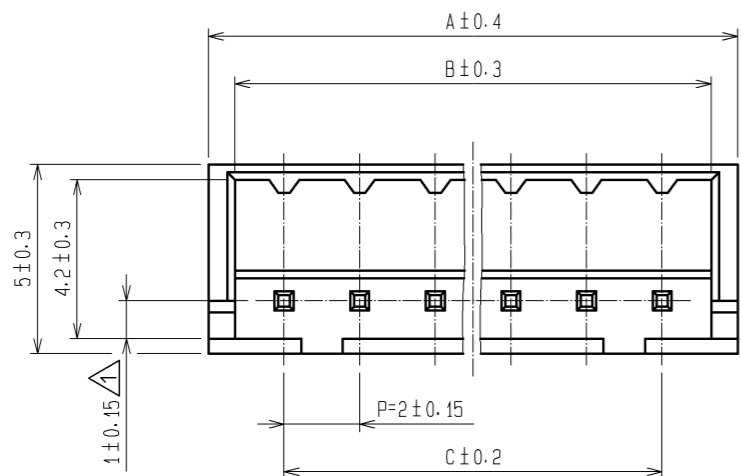
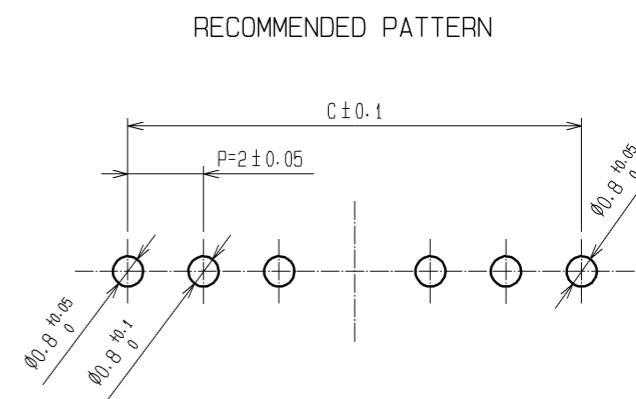
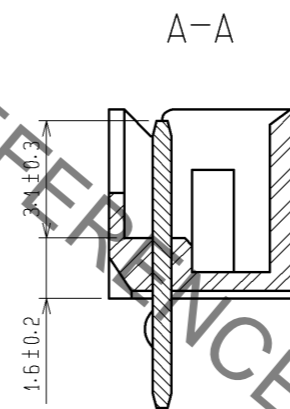


Aug.1.2021 Copyright 2021 HIROSE ELECTRIC CO., LTD. All Rights Reserved.  
In case of consideration for using Automotive equipment / device which demand high reliability, kindly contact our sales window correspondents.



HRS NO.	PART NO.	NUMBER OF CONTACT	A	B	C
CL543-0017-2-01	DF3- 2P-2DSA (01)	2	6.0	4.6	2.0
CL543-0018-5-01	DF3- 3P-2DSA (01)	3	8.0	6.6	4.0
CL543-0019-8-01	DF3- 4P-2DSA (01)	4	10.0	8.6	6.0
CL543-0020-7-01	DF3- 5P-2DSA (01)	5	12.0	10.6	8.0
CL543-0021-0-01	DF3- 6P-2DSA (01)	6	14.0	12.6	10.0
CL543-0022-2-01	DF3- 7P-2DSA (01)	7	16.0	14.6	12.0
CL543-0023-5-01	DF3- 8P-2DSA (01)	8	18.0	16.6	14.0
CL543-0024-8-01	DF3- 9P-2DSA (01)	9	20.0	18.6	16.0
CL543-0025-0-01	DF3-10P-2DSA (01)	10	22.0	20.6	18.0
CL543-0026-3-01	DF3-11P-2DSA (01)	11	24.0	22.6	20.0
CL543-0027-6-01	DF3-12P-2DSA (01)	12	26.0	24.6	22.0
CL543-0028-9-01	DF3-13P-2DSA (01)	13	28.0	26.6	24.0
CL543-0029-1-01	DF3-14P-2DSA (01)	14	30.0	28.6	26.0
CL543-0030-0-01	DF3-15P-2DSA (01)	15	32.0	30.6	28.0



NOTES 1: No. 1 AND \* CONTACT SHALL BE PROCESSED KINK. (\*=2-15)

1	POLYAMIDE	BLACK, UL94V-0	2	BRASS	SURFACE:GOLD PLATED 0.2μm MIN. UNDER PLATING:NICKEL PLATED 0.5μm MIN.		
NO.	MATERIAL	FINISH, REMARKS	NO.	MATERIAL	FINISH, REMARKS		
UNITS mm		SCALE 5 : 1	COUNT 3	DESCRIPTION OF REVISIONS DIS-H-004736	DESIGNED MI. SAKIMURA	CHECKED TS. FUKUSHIMA	DATE 10.04.12
<b>HRS</b> HIROSE ELECTRIC CO., LTD.		APPROVED : KJ. KATAYOSE	05.01.05	DRAWING NO. EDC3-162396-01			
		CHECKED : KI. AKIYAMA	05.01.05	PART NO. DF3- *P-2DSA(01)			
		DESIGNED : TH. ARAI	05.01.05	CODE NO. DF3- *P-2DSA(01)			
		DRAWN : TH. ARAI	05.01.05				

## X-ON Electronics

Largest Supplier of Electrical and Electronic Components

*Click to view similar products for [Headers & Wire Housings](#) category:*

*Click to view products by [Hirose](#) manufacturer:*

Other Similar products are found below :

[892-18-020-10-001101](#) [58102-G61-06LF](#) [582553-1](#) [0009485154](#) [009176003701906](#) [0050291907](#) [LY20-4P-DT1-P1E-BR](#) [02.125.8002.8](#)  
[609-3404](#) [61062-3](#) [622-0430](#) [622-3653LF](#) [63453-116](#) [636-1030](#) [636-1427](#) [636-3427](#) [636-4007](#) [641938-9](#) [641991-4](#) [644827-2](#) [65817-010LF](#)  
[65817-015LF](#) [65863-015LF](#) [66207-023LF](#) [67095-007LF](#) [67601157](#) [68648-049](#) [70.362.1628.0](#) [70-4210](#) [70-4226B](#) [70-4853B](#) [707-5020](#) [707-](#)  
[5028](#) [71.350.2428.0](#) [71918-208LF](#) [71961-016LF](#) [733-134](#) [733-162](#) [754199-000](#) [760-3052](#) [787-8014-00](#) [79531-3000](#) [FCN-360C032-B](#) [FCN-](#)  
[367T-T012/H](#) [FCN-723D010/2](#) [80.063.4001.1](#) [800-90-001-10-001000](#) [800-90-010-10-002000](#) [801-43-002-10-013000](#) [801-43-006-10-002000](#)