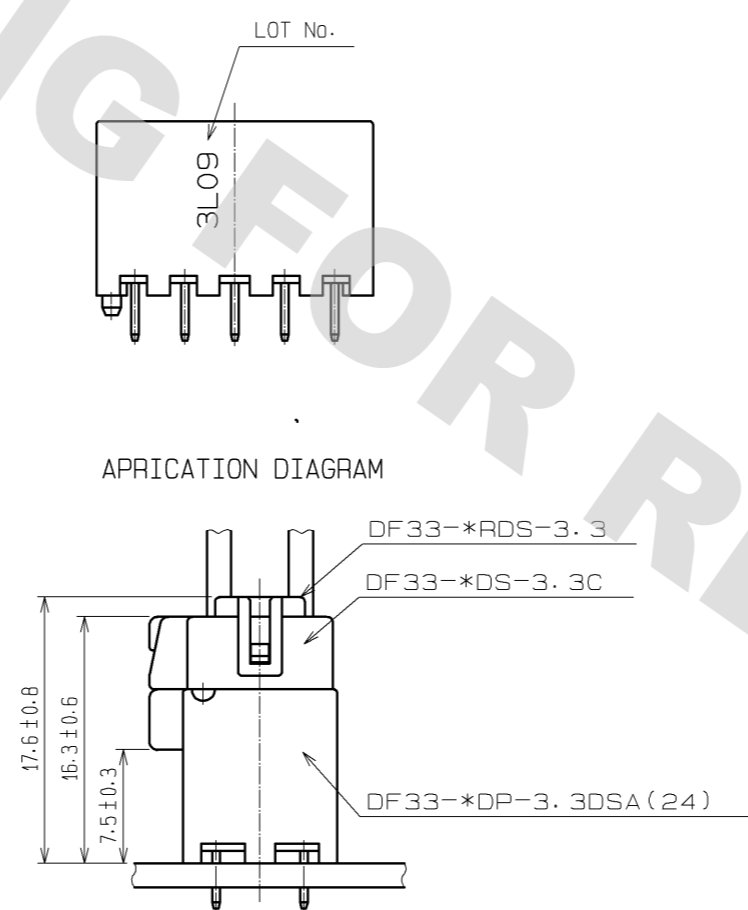
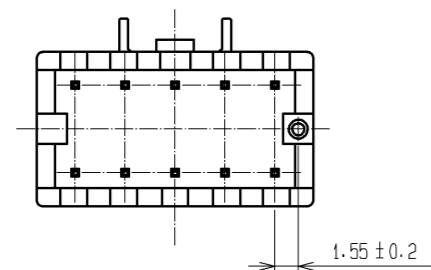
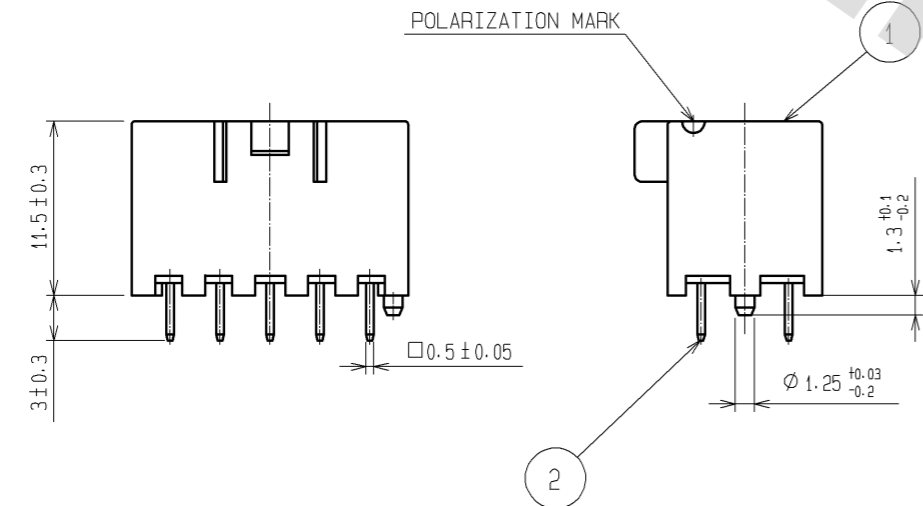
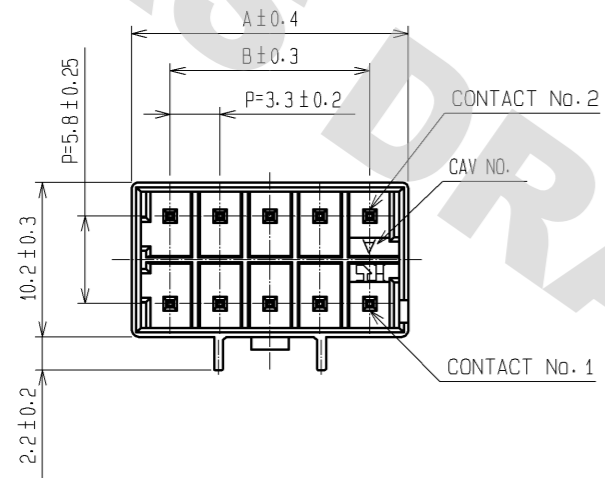
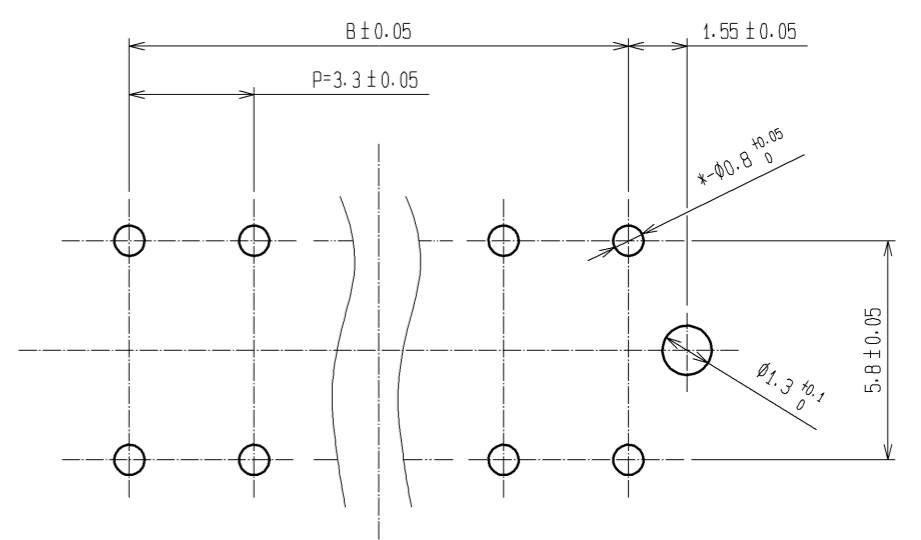


DRAWING FOR REFERENCE: This is subject to change without notice
08/11/2012



RECOMMENDED PATTERN(5:1)
(RECOMMENDED BOARD THICKNESS t=1.6mm)



PART No.	CODE No.	NUMBER OF CONTACT	A	B
DF33- 4DP-3.3DSA(24)	CL676-1001-7-24	4	8.4	-
DF33- 6DP-3.3DSA(24)	CL676-1002-0-24	6	11.7	6.6
DF33- 8DP-3.3DSA(24)	CL676-1003-2-24	8	15.0	9.9
DF33-10DP-3.3DSA(24)	CL676-1004-5-24	10	18.3	13.2
DF33-12DP-3.3DSA(24)	CL676-1005-8-24	12	21.6	16.5

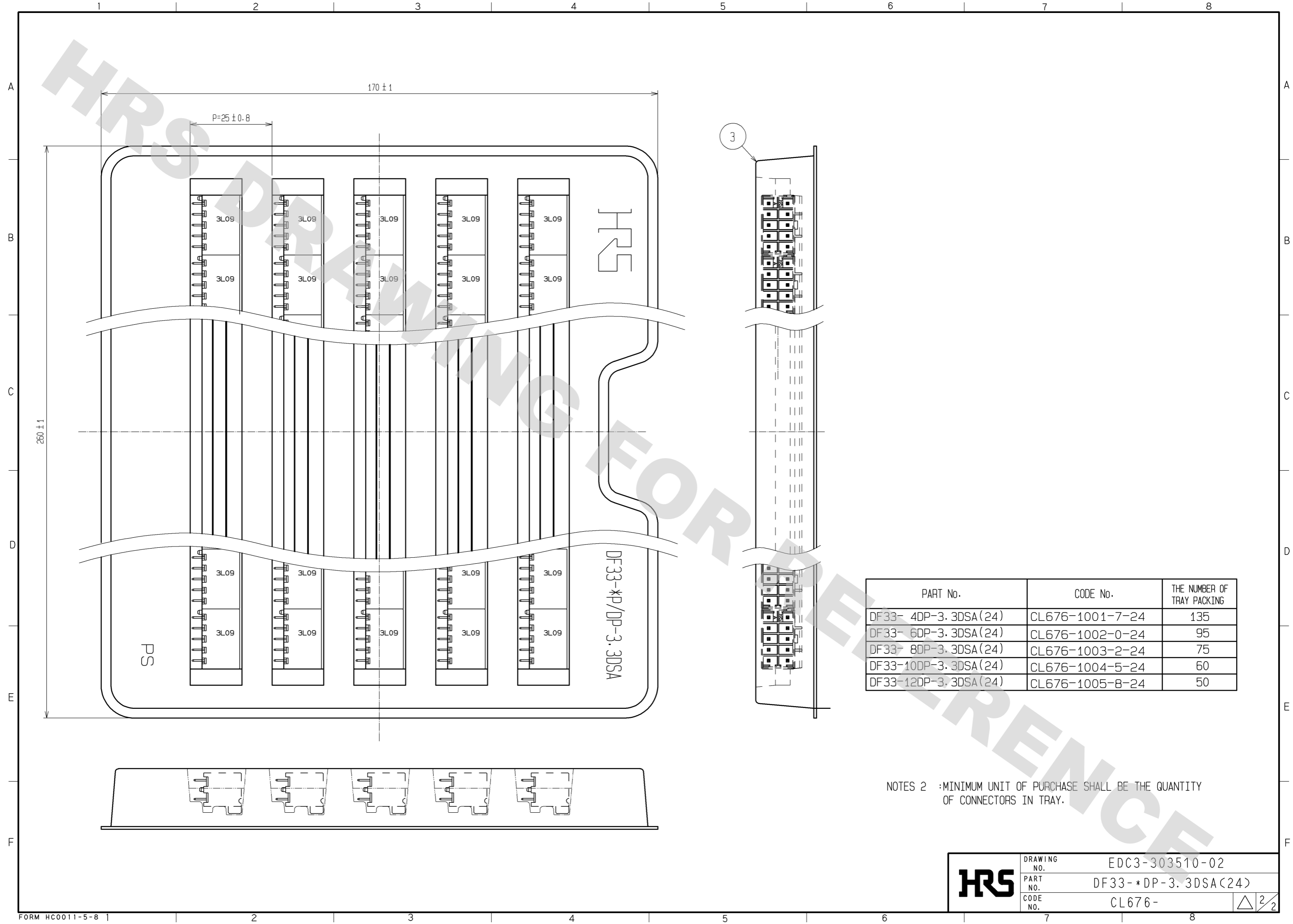
NOTES 1 :IMMERSION DEPTH INTO POTTING SOLUTION:6.5mm

NO.	MATERIAL	FINISH . REMARKS	NO.	MATERIAL	FINISH . REMARKS
1	POLYAMIDE	(BEIGE)UL94V-0	3	HIPS	TRAY
			2	BRASS	SURFACE:TIN PLATED 1µm min UNDER PLATING:NICKEL PLATED 0.5µm min

UNITS	SCALE	COUNT	DESCRIPTION OF REVISIONS	DESIGNED	CHECKED	DATE
mm	2:1	△				

APPROVED : TS. SAKATA	09.02.10	DRAWING NO.	EDC3-303510-02
CHECKED : TS. KUMAZAWA	09.02.10	PART NO.	DF33-*DP-3.3DSA(24)
DESIGNED : SN. KOBAYASHI	09.02.09	CODE NO.	CL676-
DRAWN : YK. NAKATSU	09.02.04		

DRAWING FOR REFERENCE: This is subject to change without notice
08/11/2012



PART No.	CODE No.	THE NUMBER OF TRAY PACKING
DF33- 4DP-3.3DSA(24)	CL676-1001-7-24	135
DF33- 6DP-3.3DSA(24)	CL676-1002-0-24	95
DF33- 8DP-3.3DSA(24)	CL676-1003-2-24	75
DF33-10DP-3.3DSA(24)	CL676-1004-5-24	60
DF33-12DP-3.3DSA(24)	CL676-1005-8-24	50

NOTES 2 :MINIMUM UNIT OF PURCHASE SHALL BE THE QUANTITY OF CONNECTORS IN TRAY.

HRS	DRAWING NO.	EDC3-303510-02
	PART NO.	DF33-*DP-3.3DSA(24)
	CODE NO.	CL676-

2/2

X-ON Electronics

Largest Supplier of Electrical and Electronic Components

Click to view similar products for [Board to Board & Mezzanine Connectors](#) category:

Click to view products by [Hirose](#) manufacturer:

Other Similar products are found below :

[589158040000018](#) [MDF7C-18P-2.54DSA\(55\)](#) [FCN-230C068-11](#) [FCN-268F012-G/BD](#) [FCN-268F036-G/BD](#) [FCN-268M012-G/0D](#) [FCN-268M024-G/1D](#) [FCN-723J004/1](#) [MIS-048-01-F-D-DP-K](#) [832-10-034-10-001000](#) [FX4C-80S-1.27DSA](#) [FCN-214Q030-G/0](#) [FCN-234P048-G/0](#) [FCN-235D050-G/C](#) [210-93-314-41-105000](#) [2-22603-0](#) [MDF7-40DP-2.54DSA\(55\)](#) [AXG720047](#) [MIT-114-03-F-D-K](#) [55323-1519](#) [DF33-2P-3.3DSA\(24\)](#) [YFT-20-05-H-03-SB-K](#) [503308-3040](#) [026-6203-PDB](#) [027-6203-PDB](#) [069159702701000](#) [10123981-102LF](#) [101A10019X](#) [55650-0588-C](#) [68682-310LF](#) [68684-306](#) [75140-7012](#) [87471-650](#) [YTW-30-07-H-Q-410-140](#) [FCN-268F024-G0D](#) [10124054-515LF](#) [68685-603](#) [8-1616154-3](#) [MIS-019-01-F-D](#) [FCN-268M024-G/3D](#) [FCN-268M036-G/BD](#) [20021832-06016C1LF](#) [KX15-20KLDL-E1000E](#) [AXE810124](#) [FCN-214J100-G/0](#) [FCN-230C068-E/S](#) [AXE812124](#) [AXE816124](#) [AXE720127](#) [354184](#)