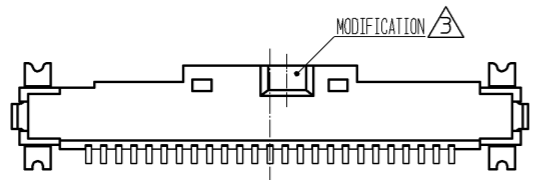
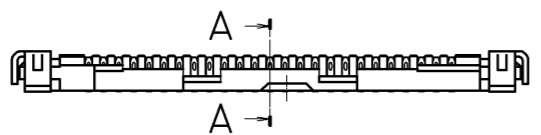
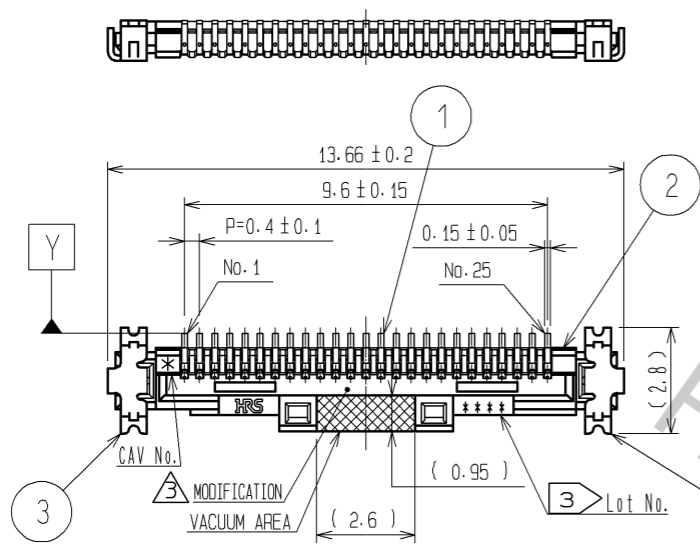
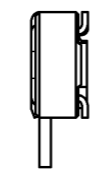
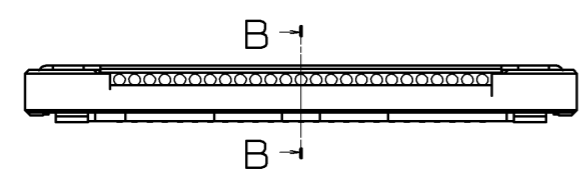
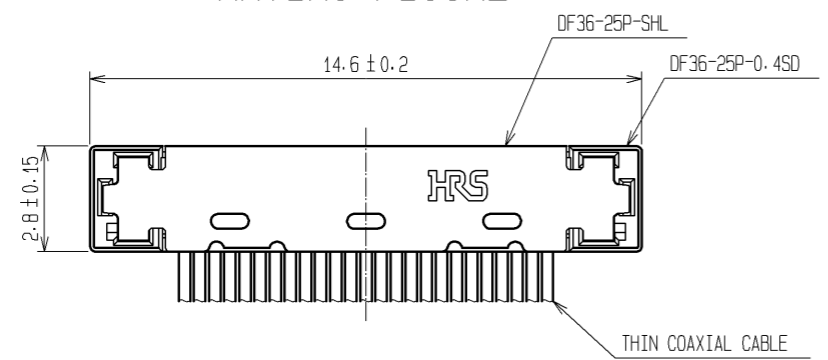


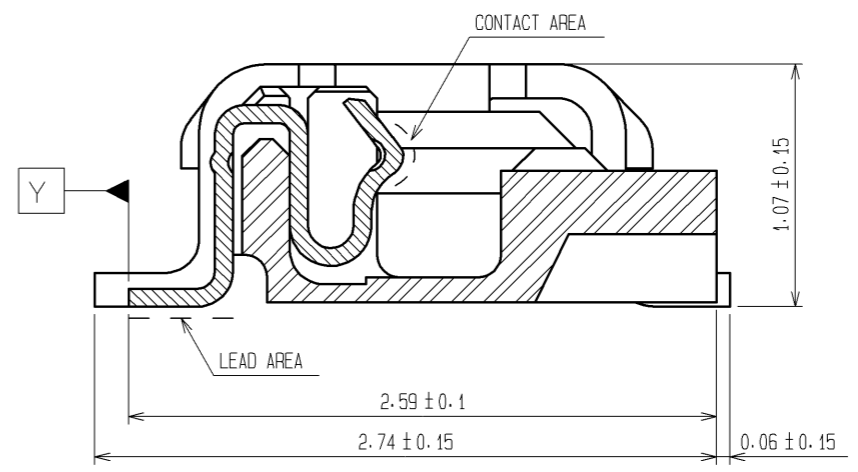
Feb.1.2018 Copyright 2018 HIROSE ELECTRIC CO., LTD. All Rights Reserved.



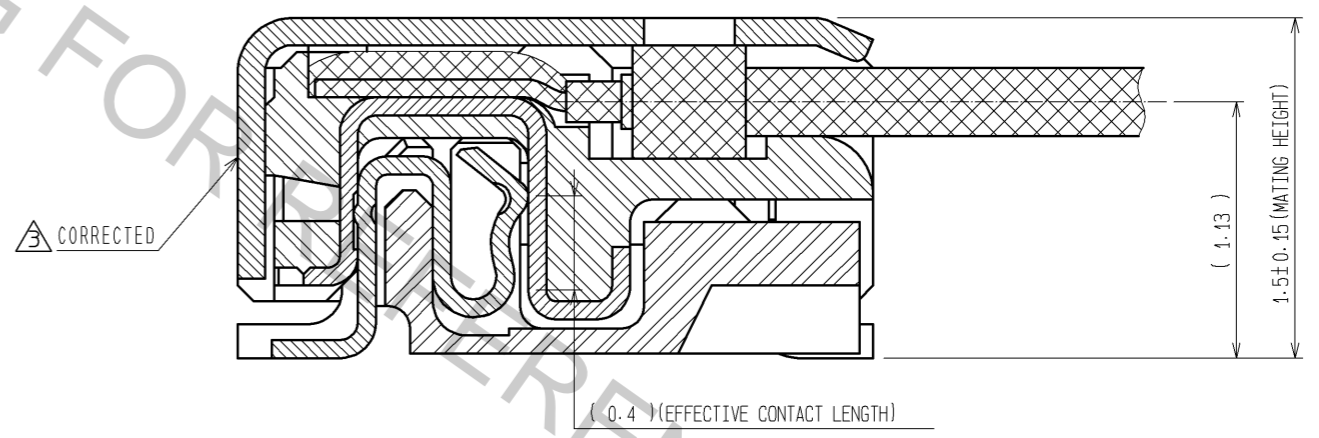
MATING FIGURE



A-A (30:1)



B-B (30:1)



NOTES

- LEAD CO-PLANARITY SHALL BE 0.1mm MAX.
- STIFFENER IS REQUIRED FOR MOUNTING ONTO FPC IN ORDER TO AVOID STRESS BY FPC SLACKING TO MOUNTED CONNECTOR.
- LOT No. INFORMATION IS SHOWN IN THE TABLE.  
EXAMPLE: 96FD  
-YEAR:2009 MONTH:Jul DAY:15 LINE No.:4
- UNMATING SHALL BE DONE WITH THE SPECIFIC EXTRACTION TOOL.

3

YEAR		MONTH		DAY						LINE No.	
YEAR	CODE	MONTH	CODE	DAY	CODE	DAY	CODE	DAY	CODE	LINE No.	CODE
10	0	Jan	A	1	1	11	B	21	M	1	A
11	1	Feb	B	2	2	12	C	22	N	2	B
12	2	Mar	C	3	3	13	D	23	P	3	C
13	3	Apr	D	4	4	14	E	24	Q	4	D
14	4	May	E	5	5	15	F	25	R	5	E
15	5	Jun	F	6	6	16	G	26	S	6	F
16	6	Jul	G	7	7	17	H	27	T	7	G
17	7	Aug	H	8	8	18	J	28	U	8	H
18	8	Sep	I	9	9	19	K	29	V	9	I
09	9	Oct	J	10	A	20	L	30	W	10	J
		Nov	K			31	X				
		Dec	L								

NO.	MATERIAL	FINISH	REMARKS	NO.	MATERIAL	FINISH	REMARKS
3	PHOSPHOR BRONZE	WHOLE AREA : Au PLATING 0.1μm min UNDER PLATING : Ni PLATING 2μm min		7	PS	BLACK	
2	LCP	UL94V-0		6	POLYESTER	CLEAR	
1	PHOSPHOR BRONZE	CONTACT AREA : Au PLATING 0.3μm min LEAD AREA : Au PLATING 0.1μm min UNDER PLATING : Ni PLATING 2μm min		5	PS	CLEAR	
4	PHOSPHOR BRONZE	WHOLE AREA : Au PLATING 0.1μm min UNDER PLATING : Ni PLATING 2μm min					

UNITS	SCALE	COUNT	DESCRIPTION OF REVISIONS	DESIGNED	CHECKED	DATE
mm	5 : 1	4	DIS-H-003739	HY. SHIOZAWA	TS. FUKUSHIMA	09.03.11

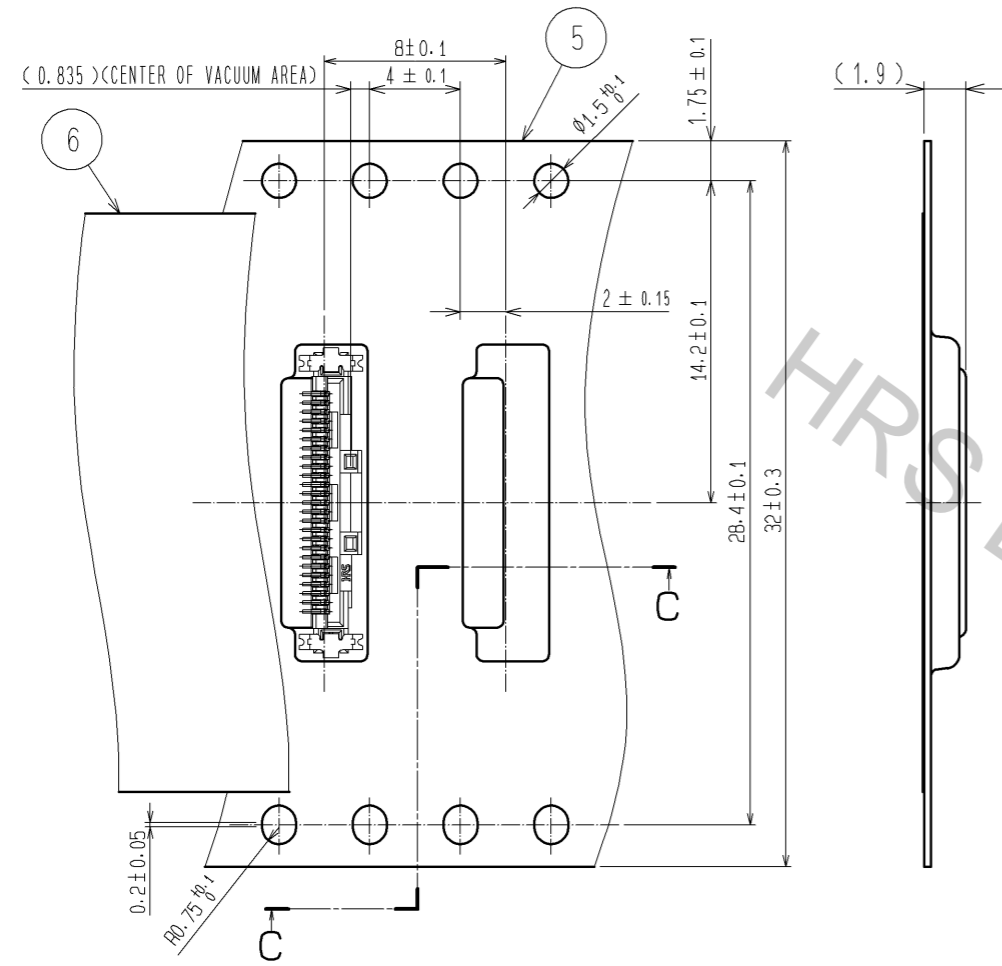
  

APPROVED : TY. OMA	07.05.18	DRAWING NO.	EDC3-312852-01
CHECKED : TS. SAKATA	07.05.18	PART NO.	DF36-25S-0.4V(51)
DESIGNED : MN. KENJO	07.05.17	CODE NO.	CL662-4005-1-51
DRAWN : HY. SHIOZAWA	07.05.15		

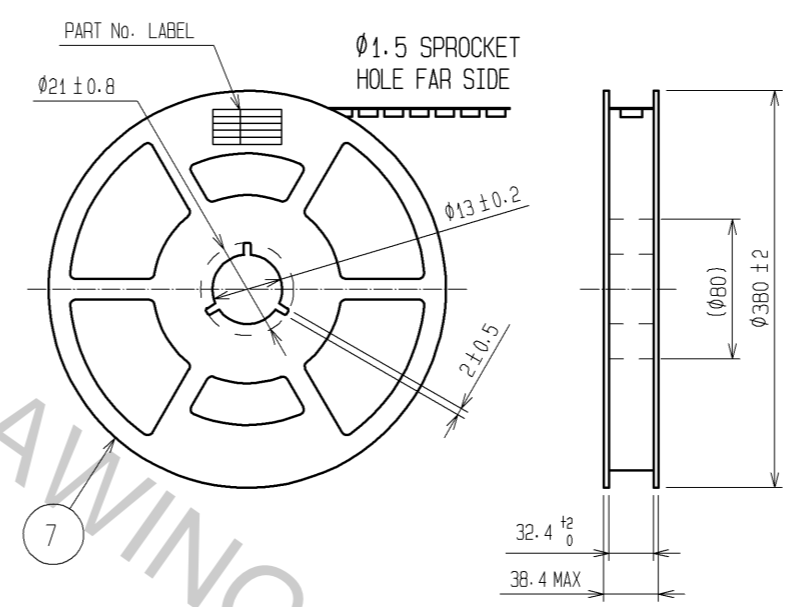
Feb.1.2018 Copyright 2018 HIROSE ELECTRIC CO., LTD. All Rights Reserved.

1 2 3 4 5 6 7 8

A  
B  
C  
D  
E  
F



STYLE AND DIMENSION OF REEL (FREE)

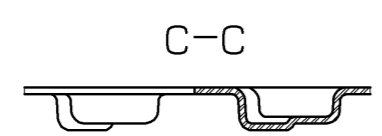


DETAIL OF PART No. LABEL

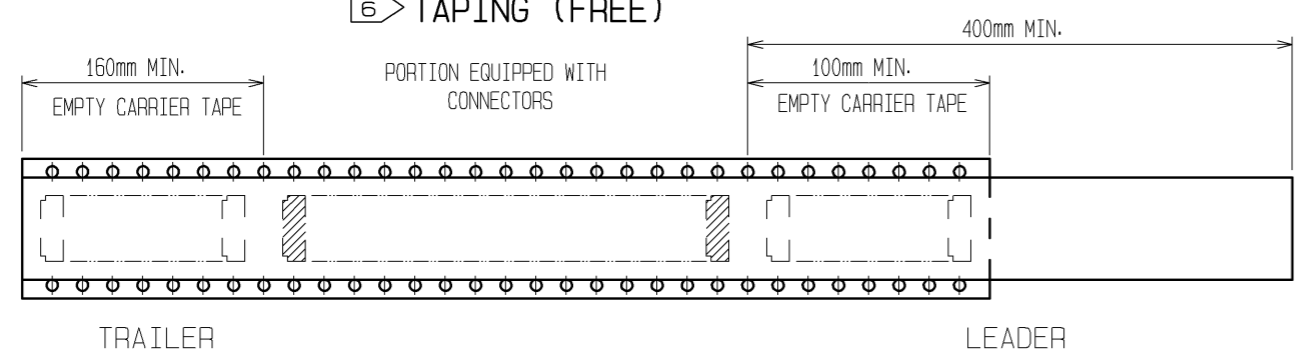
生産月日	年 月 日
製品コード	CL662-4005-1-51
製品名	DF36-25S-0.4V(51)
納入数量	5,000pcs
納入者	ヒロセ電機(株)

SUPPLIER  
QUANTITY  
PART No.  
CODE No.  
DATE OF MANUFACTURED

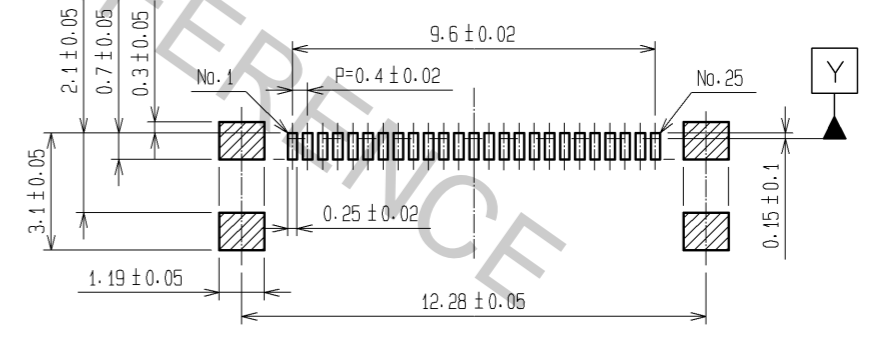
DIRECTION OF UNREELING →



TAPING (FREE)



RECOMMENDED PATTERN(5:1)



GROUND AREA

RECOMMENDED METAL MASK

THICKNESS: 0.1mm  
OPENING RATIO: LEAD AREA 90%  
GROUND AREA 90%

- NOTES 5. PER REEL: 5000 COMPONENTS.  
6. REFER TO JIS C 0806. (PACKAGING OF COMPONENTS FOR AUTOMATIC HANDLING)  
7. THE DIMENSIONS IN PARENTHESES ARE FOR REFERENCE.

<b>HRS</b>	DRAWING NO.	EDC3-312852-01
	PART NO.	DF36-25S-0.4V(51)
	CODE NO.	CL662-4005-1-51
		3/2

## X-ON Electronics

Largest Supplier of Electrical and Electronic Components

*Click to view similar products for [Headers & Wire Housings](#) category:*

*Click to view products by [Hirose](#) manufacturer:*

Other Similar products are found below :

[892-18-020-10-001101](#) [58102-G61-06LF](#) [582553-1](#) [0009485154](#) [009176003701906](#) [0050291907](#) [LY20-4P-DT1-P1E-BR](#) [02.125.8002.8](#)  
[609-3404](#) [61062-3](#) [622-0430](#) [622-3653LF](#) [63453-116](#) [636-1030](#) [636-1427](#) [636-3427](#) [636-4007](#) [641938-9](#) [641991-4](#) [644827-2](#) [65817-010LF](#)  
[65817-015LF](#) [65863-015LF](#) [66207-023LF](#) [67095-007LF](#) [67601157](#) [68648-049](#) [70.362.1628.0](#) [70-4210](#) [70-4226B](#) [70-4853B](#) [707-5020](#) [707-5028](#) [71.350.2428.0](#) [71918-208LF](#) [71961-016LF](#) [733-134](#) [733-162](#) [754199-000](#) [760-3052](#) [787-8014-00](#) [79531-3000](#) [FCN-360C032-B](#) [FCN-367T-T012/H](#) [FCN-723D010/2](#) [80.063.4001.1](#) [800-90-001-10-001000](#) [800-90-010-10-002000](#) [801-43-002-10-013000](#) [801-43-006-10-002000](#)