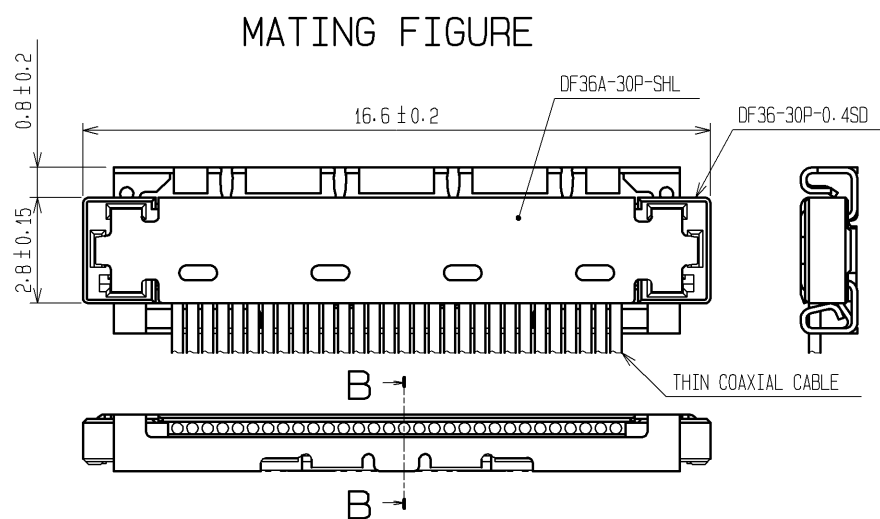
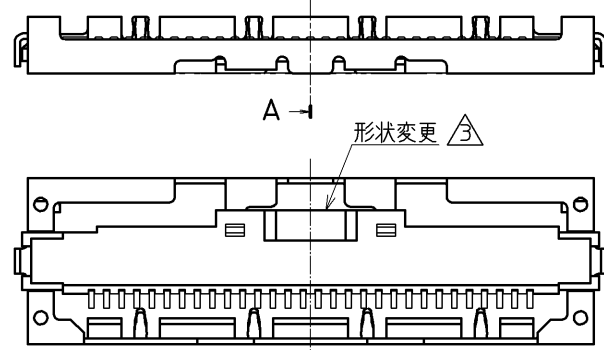
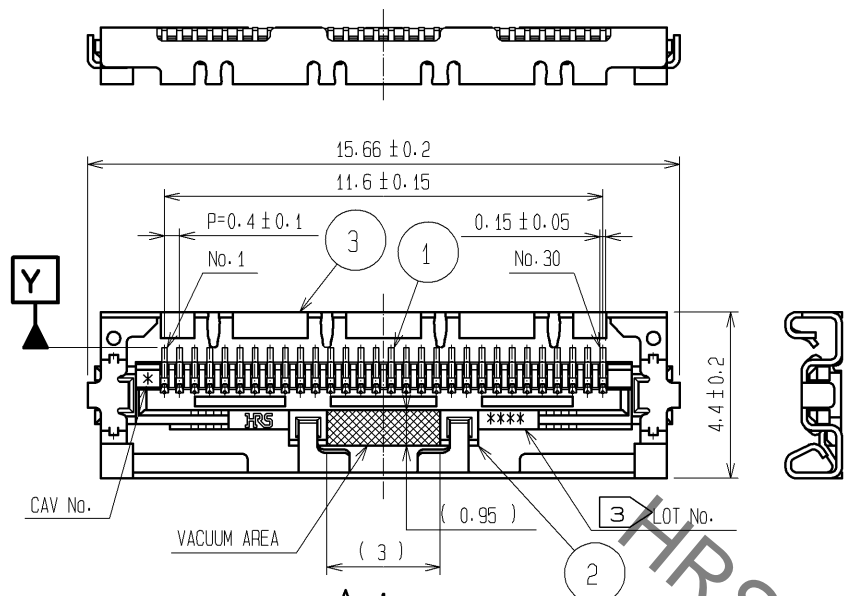
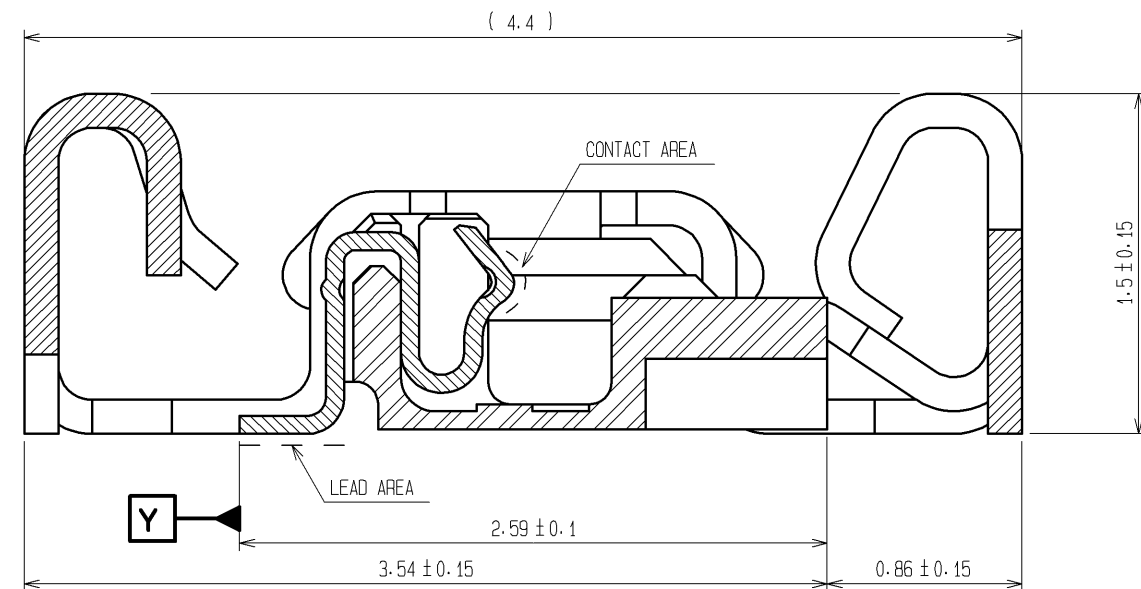


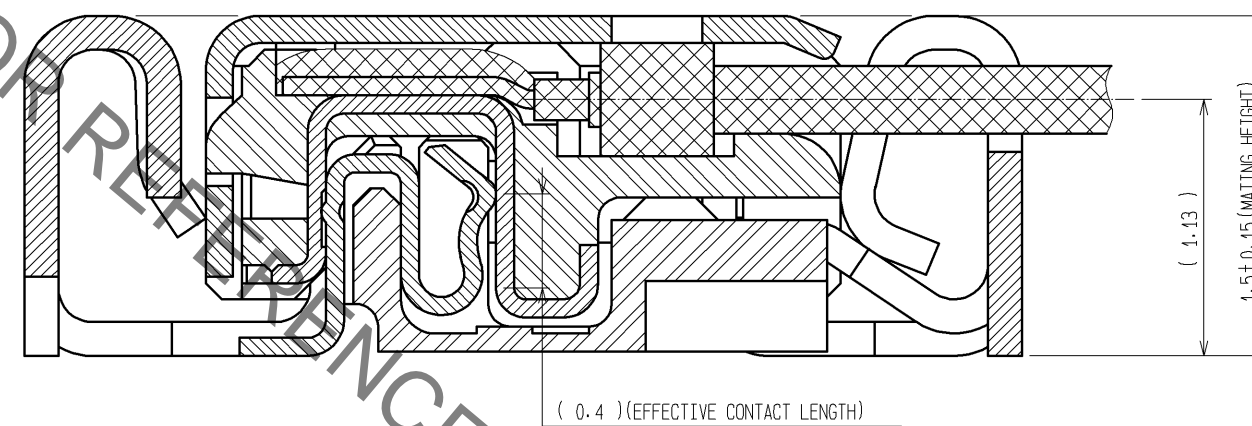
Sep.1.2021 Copyright 2021 HIROSE ELECTRIC CO., LTD. All Rights Reserved.
 In case of consideration for using Automotive equipment / device which demand high reliability, kindly contact our sales window correspondents.



A-A (30:1) △



B-B (30:1) △



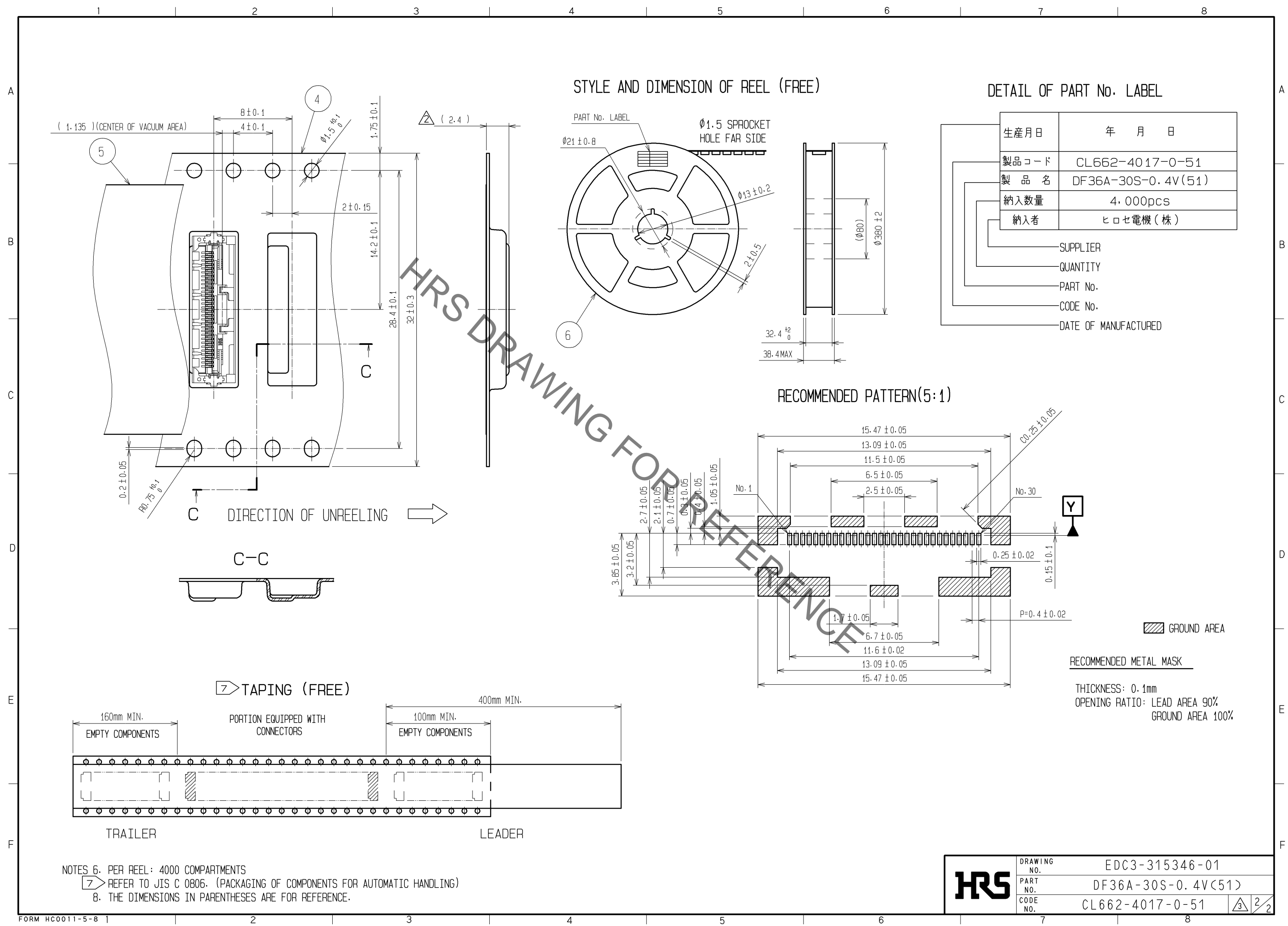
NOTES

- LEAD CO-PLANARITY SHALL BE 0.1mm MAX.
- STIFFENER IS REQUIRED FOR MOUNTING ONTO FPC IN ORDER TO AVOID STRESS BY FPC SLACKING TO MOUNTED CONNECTOR.
- LOT No. INFORMATION IS SHOWN IN THE TABLE.
EXAMPLE: 8GFD
-YEAR: 2008 MONTH: July DAY: 15 LINE No.: 4
- UNMATING SHALL BE DONE WITH THE SPECIFIC EXTRACTION TOOL.
- SOLDERING REWORK IS NOT POSSIBLE SINCE SOLDERING LEADS ARE COVERED BY METAL SHIELDING.

YEAR		MONTH		DAY				LINE No.			
YEAR	CODE	MONTH	CODE	DAY	CODE	DAY	CODE	DAY	CODE	LINE No.	CODE
10	0	Jan	A	1	1	11	B	21	M	1	A
11	1	Feb	B	2	2	12	C	22	N	2	B
12	2	Mar	C	3	3	13	D	23	P	3	C
13	3	Apr	D	4	4	14	E	24	Q	4	D
14	4	May	E	5	5	15	F	25	R	5	E
15	5	Jun	F	6	6	16	G	26	S	6	F
16	6	Jul	G	7	7	17	H	27	T	7	G
17	7	Aug	H	8	8	18	J	28	U	8	H
08	8	Sep	I	9	9	19	K	29	V	9	I
09	9	Oct	J	10	A	20	L	30	W	10	J
		Nov	K			31	X				
		Dec	L								

2	LCP	UL94V-0	6	PS	BLACK
1	PHOSPHOR BRONZE	CONTACT AREA : Au PLATING 0.3µm min LEAD AREA : Au PLATING 0.1µm min UNDER PLATING : Ni PLATING 2µm min	5	POLYESTER	CLEAR
			4	PS	CLEAR
			3	PHOSPHOR BRONZE	WHOLE AREA : Sn PLATING 1µm min UNDER PLATING : Cu PLATING 0.2µm min
NO.	MATERIAL	FINISH . REMARKS	NO.	MATERIAL	FINISH . REMARKS
UNITS	mm	SCALE	5 : 1	COUNT	1
DESCRIPTION OF REVISIONS			DESIGNED	SI. ISHII	DATE
DIS-H-003181			CHECKED	HK. UMEHARA	08.07.29
APPROVED : TY. OMA 07.04.06			DRAWING NO. EDC3-315346-01		
CHECED : TS. SAKATA 07.04.06			PART NO. DF36A-30S-0.4V(51)		
DESIGNED : MN. KENJO 07.04.05			CODE NO. CL662-4017-0-51		
DRAWN : MN. KENJO 07.04.05			1/2		

Sep.1.2021 Copyright 2021 HIROSE ELECTRIC CO., LTD. All Rights Reserved.
In case of consideration for using Automotive equipment / device which demand high reliability, kindly contact our sales window correspondents.



HRS	DRAWING NO.	EDC3-315346-01
	PART NO.	DF36A-30S-0.4V(51)
	CODE NO.	CL662-4017-0-51
		3/2

X-ON Electronics

Largest Supplier of Electrical and Electronic Components

Click to view similar products for [Headers & Wire Housings](#) category:

Click to view products by [Hirose](#) manufacturer:

Other Similar products are found below :

[892-18-020-10-001101](#) [58102-G61-06LF](#) [582553-1](#) [0009485154](#) [009176003701906](#) [0050291907](#) [LY20-4P-DT1-P1E-BR](#) [02.125.8002.8](#)
[609-3404](#) [61062-3](#) [622-0430](#) [622-3653LF](#) [63453-116](#) [636-1030](#) [636-1427](#) [636-3427](#) [636-4007](#) [641938-9](#) [641991-4](#) [644827-2](#) [65817-010LF](#)
[65817-015LF](#) [65863-015LF](#) [66207-023LF](#) [67095-007LF](#) [67601157](#) [68648-049](#) [70.362.1628.0](#) [70-4210](#) [70-4226B](#) [70-4853B](#) [707-5020](#) [707-5028](#) [71.350.2428.0](#) [71918-208LF](#) [71961-016LF](#) [733-134](#) [733-162](#) [754199-000](#) [760-3052](#) [787-8014-00](#) [79531-3000](#) [FCN-360C032-B](#) [FCN-367T-T012/H](#) [FCN-723D010/2](#) [80.063.4001.1](#) [800-90-001-10-001000](#) [800-90-010-10-002000](#) [801-43-002-10-013000](#) [801-43-006-10-002000](#)