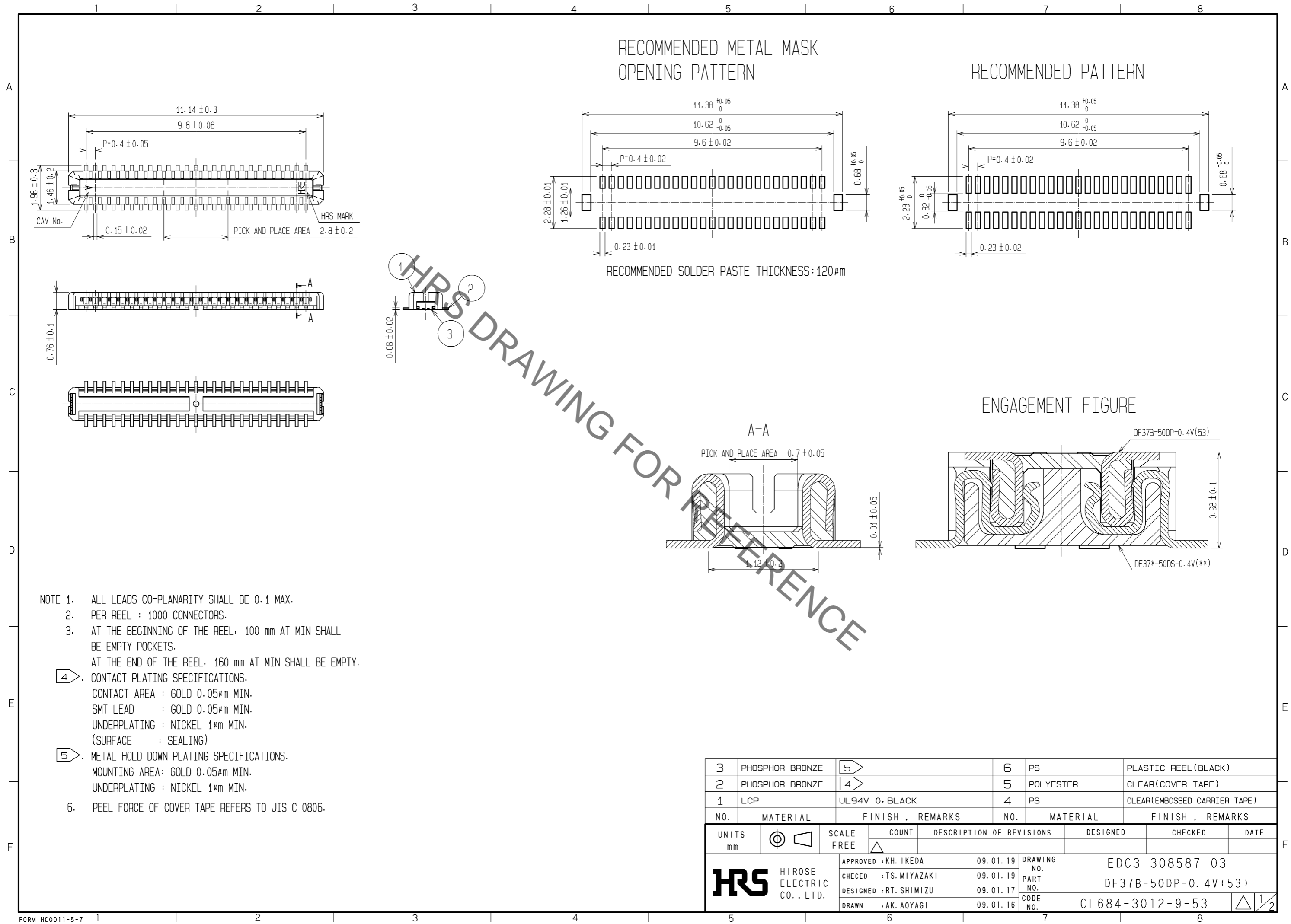


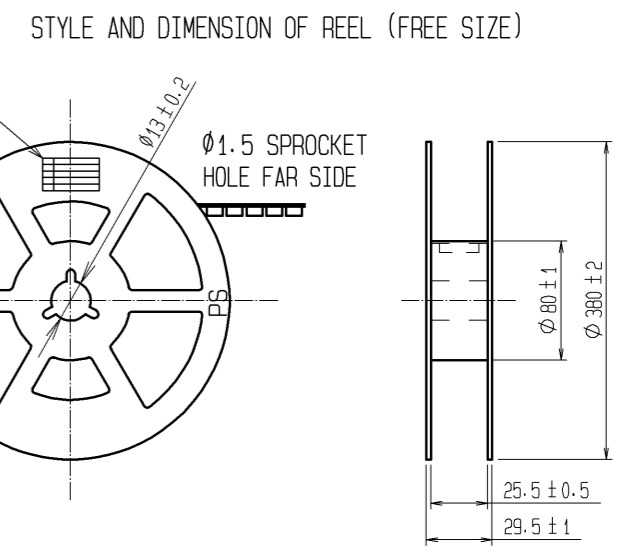
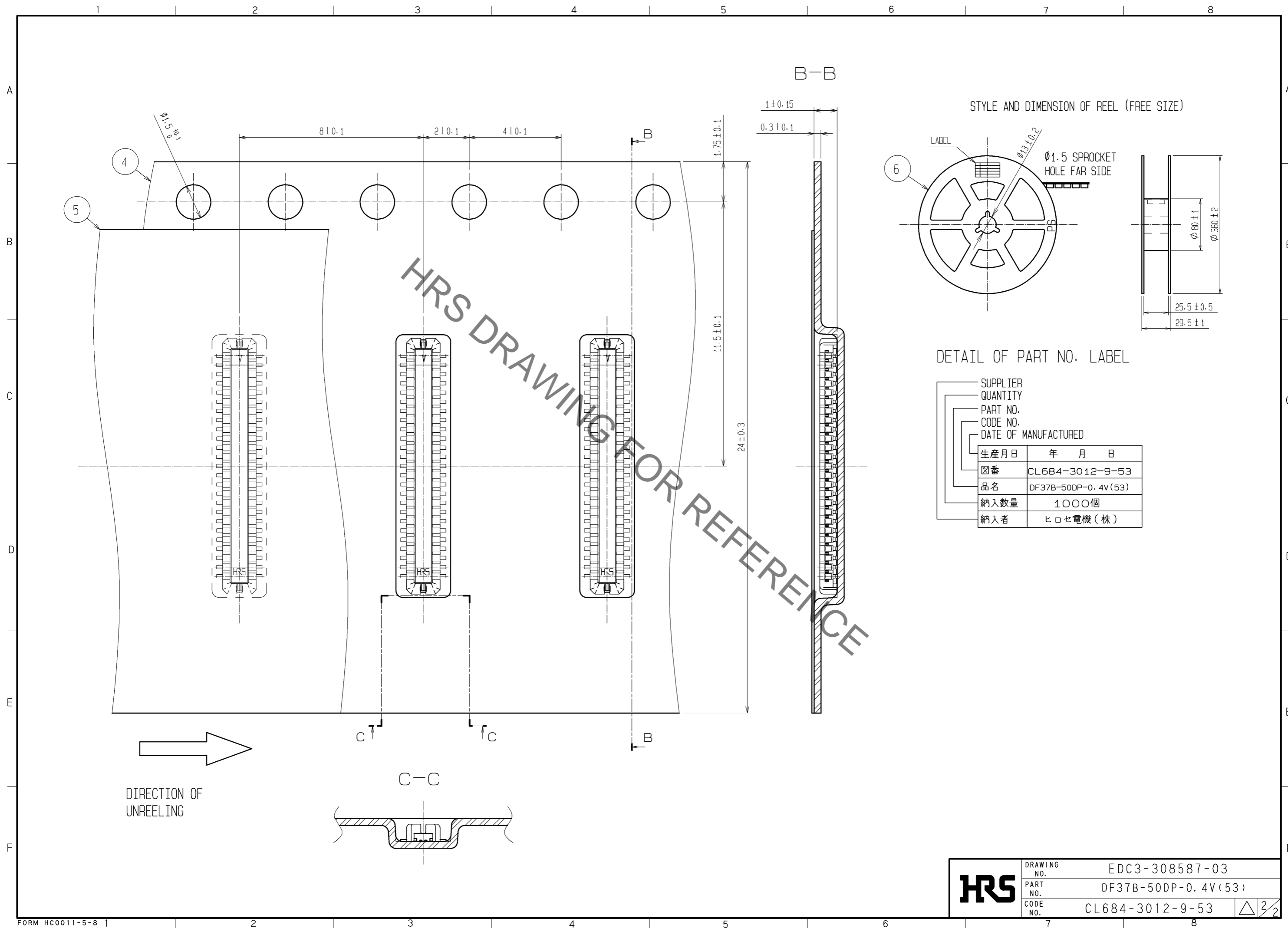
Oct.1.2019 Copyright 2019 HIROSE ELECTRIC CO., LTD. All Rights Reserved.
In case of consideration for using Automotive equipment / device which demand high reliability, kindly contact our sales window correspondents.



HRS DRAWING FOR REFERENCE

| | | | | | | | | |
|---------------------------|-----------------|------------------------|----------|------------------------------|-------------------------------|----------|---------|------|
| 3 | PHOSPHOR BRONZE | 5 | 6 | PS | PLASTIC REEL (BLACK) | | | |
| 2 | PHOSPHOR BRONZE | 4 | 5 | POLYESTER | CLEAR (COVER TAPE) | | | |
| 1 | LCP | UL94V-0, BLACK | 4 | PS | CLEAR (EMBOSSED CARRIER TAPE) | | | |
| NO. | MATERIAL | FINISH, REMARKS | NO. | MATERIAL | FINISH, REMARKS | | | |
| UNITS | mm | SCALE | FREE | COUNT | DESCRIPTION OF REVISIONS | DESIGNED | CHECKED | DATE |
| HIROSE ELECTRIC CO., LTD. | | APPROVED : KH. IKEDA | 09.01.19 | DRAWING NO. EDC3-308587-03 | | | | |
| | | CHECKED : TS. MIYAZAKI | 09.01.19 | PART NO. DF37B-50DP-0.4V(53) | | | | |
| | | DESIGNED : RT. SHIMIZU | 09.01.17 | CODE NO. CL684-3012-9-53 | | | | |
| | | DRAWN : AK. AOYAGI | 09.01.16 | | | | | |

Oct.1.2019 Copyright 2019 HIROSE ELECTRIC CO., LTD. All Rights Reserved.
 In case of consideration for using Automotive equipment / device which demand high reliability, kindly contact our sales window correspondents.



| | | |
|------------|-------------|---------------------|
| HRS | DRAWING NO. | EDC3-308587-03 |
| | PART NO. | DF37B-50DP-0.4V(53) |
| | CODE NO. | CL684-3012-9-53 |
| | | \triangle 2/2 |

X-ON Electronics

Largest Supplier of Electrical and Electronic Components

Click to view similar products for [Board to Board & Mezzanine Connectors](#) category:

Click to view products by [Hirose](#) manufacturer:

Other Similar products are found below :

[589158040000018](#) [MDF7C-18P-2.54DSA\(55\)](#) [FCN-230C068-11](#) [FCN-268F012-G/BD](#) [FCN-268F036-G/BD](#) [FCN-268M012-G/0D](#) [FCN-268M024-G/1D](#) [FCN-723J004/1](#) [MIS-048-01-F-D-DP-K](#) [832-10-034-10-001000](#) [FX4C-80S-1.27DSA](#) [FCN-214Q030-G/0](#) [FCN-234P048-G/0](#) [FCN-235D050-G/C](#) [210-93-314-41-105000](#) [2-22603-0](#) [MDF7-40DP-2.54DSA\(55\)](#) [AXG720047](#) [MIT-114-03-F-D-K](#) [55323-1519](#) [DF33-2P-3.3DSA\(24\)](#) [YFT-20-05-H-03-SB-K](#) [503308-3040](#) [026-6203-PDB](#) [027-6203-PDB](#) [069159702701000](#) [10123981-102LF](#) [101A10019X](#) [55650-0588-C](#) [68682-310LF](#) [68684-306](#) [75140-7012](#) [87471-650](#) [YTW-30-07-H-Q-410-140](#) [FCN-268F024-G0D](#) [10124054-515LF](#) [68685-603](#) [8-1616154-3](#) [MIS-019-01-F-D](#) [FCN-268M024-G/3D](#) [FCN-268M036-G/BD](#) [20021832-06016C1LF](#) [KX15-20KLDL-E1000E](#) [AXE810124](#) [FCN-214J100-G/0](#) [FCN-230C068-E/S](#) [AXE812124](#) [AXE816124](#) [AXE720127](#) [354184](#)