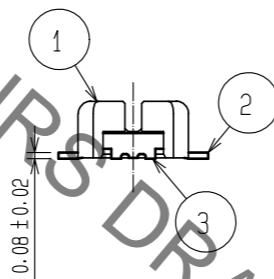
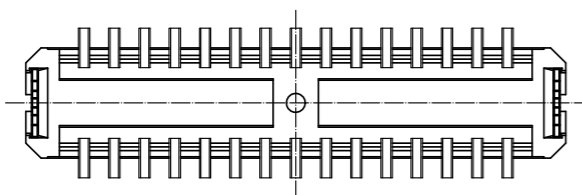
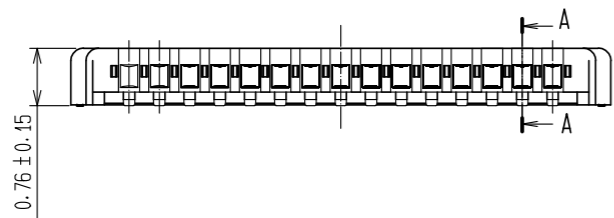
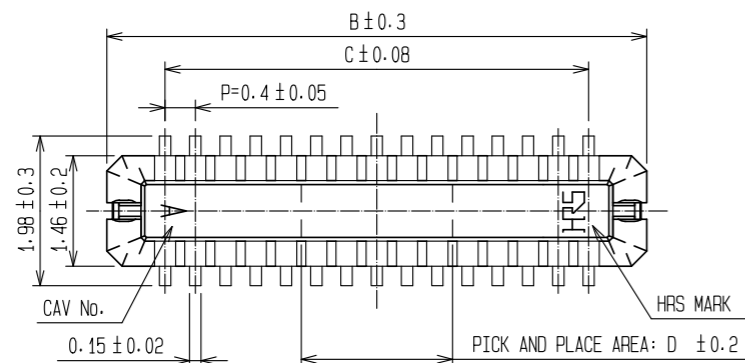
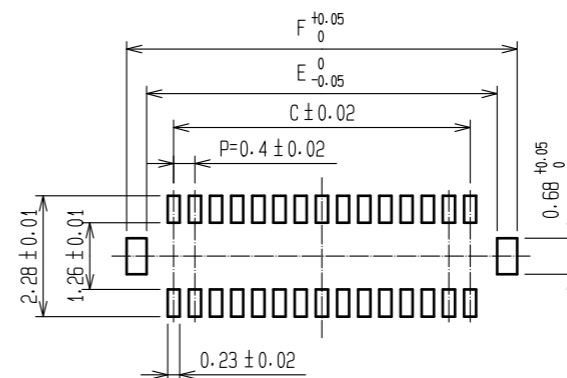


Sep.1.2021 Copyright 2021 HIROSE ELECTRIC CO., LTD. All Rights Reserved.
In case of consideration for using Automotive equipment / device which demand high reliability, kindly contact our sales window correspondents.

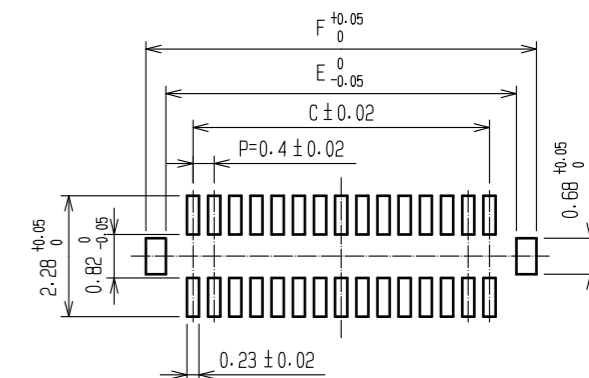


RECOMMENDED METAL MASK
OPENING PATTERN

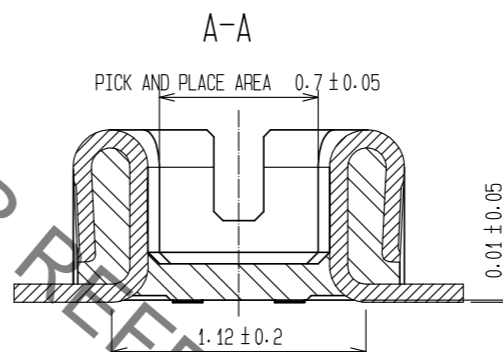
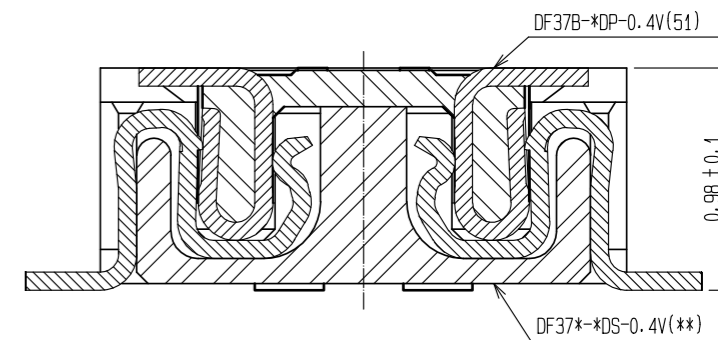


RECOMMENDED SOLDER PASTE THICKNESS : 120µm

RECOMMENDED PATTERN



ENGAGEMENT FIGURE

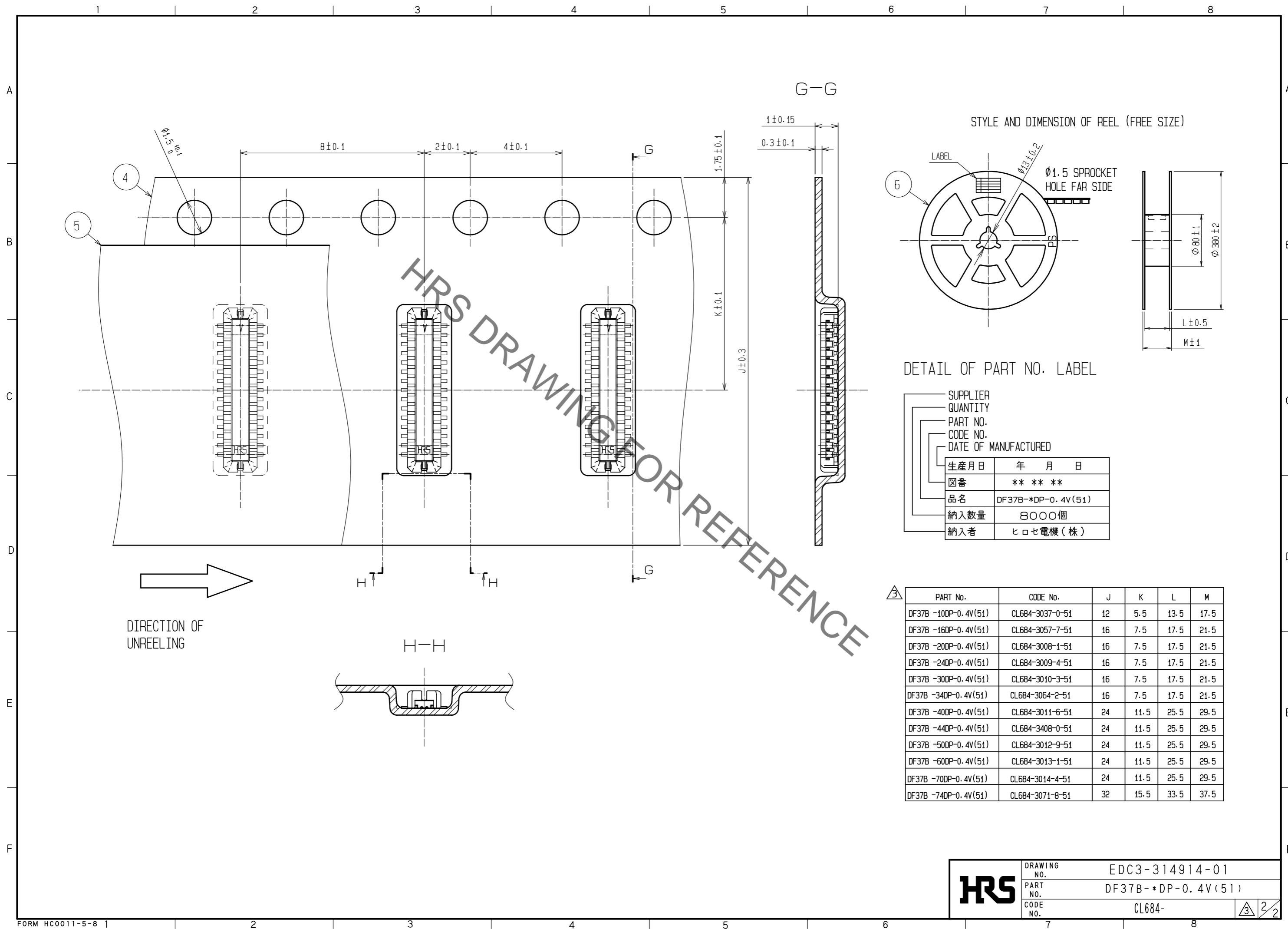


- NOTE 1. ALL LEADS CO-PLANARITY SHALL BE 0.1 MAX.
 2. PER REEL : 8000 CONNECTORS.
 3. AT THE BEGINNING OF THE REEL, 100 mm AT MIN SHALL BE EMPTY POCKETS.
 AT THE END OF THE REEL, 160 mm AT MIN SHALL BE EMPTY.
4. CONTACT PLATING SPECIFICATIONS.
 CONTACT AREA : GOLD 0.05µm MIN.
 SMT LEAD : GOLD 0.05µm MIN.
 UNDERPLATING : NICKEL 1µm MIN.
 (SURFACE : SEALING)
5. METAL HOLD DOWN PLATING SPECIFICATIONS.
 MOUNTING AREA: GOLD 0.05µm MIN.
 UNDERPLATING : NICKEL 1µm MIN.
6. PEEL FORCE OF COVER TAPE REFERS TO JIS C 0806.

PART No.	CODE No.	B	C	D	E	F
DF37B -10DP-0.4V(51)	CL684-3037-0-51	3.14	1.6	0.8	2.62	3.38
DF37B -16DP-0.4V(51)	CL684-3057-7-51	4.34	2.8	1.2	3.82	4.58
DF37B -20DP-0.4V(51)	CL684-3008-1-51	5.14	3.6	1.6	4.62	5.38
DF37B -24DP-0.4V(51)	CL684-3009-4-51	5.94	4.4	2	5.42	6.18
DF37B -30DP-0.4V(51)	CL684-3010-3-51	7.14	5.6	2	6.62	7.38
DF37B -34DP-0.4V(51)	CL684-3064-2-51	7.94	6.4	2.4	7.42	8.18
DF37B -40DP-0.4V(51)	CL684-3011-6-51	9.14	7.6	2.4	8.62	9.38
DF37B -44DP-0.4V(51)	CL684-3408-0-51	9.94	8.4	2.8	9.42	10.18
DF37B -50DP-0.4V(51)	CL684-3012-9-51	11.14	9.6	2.8	10.62	11.38
DF37B -60DP-0.4V(51)	CL684-3013-1-51	13.14	11.6	3.2	12.62	13.38
DF37B -70DP-0.4V(51)	CL684-3014-4-51	15.17	13.6	3.6	14.62	15.38
DF37B -74DP-0.4V(51)	CL684-3071-8-51	15.94	14.4	3.6	15.42	16.18

3	PHOSPHOR BRONZE	5	6	PS	PLASTIC REEL (BLACK)				
2	PHOSPHOR BRONZE	4	5	POLYESTER	CLEAR(COVER TAPE)				
1	LCP	UL94V-0, BLACK	4	PS	CLEAR(EMBOSSED CARRIER TAPE)				
NO.	MATERIAL	FINISH, REMARKS	NO.	MATERIAL	FINISH, REMARKS				
UNITS	mm	SCALE	FREE	COUNT	2	DESCRIPTION OF REVISIONS	DESIGNED	CHECKED	DATE
				DIS-H-00002725		YT. TAKAGI		TS. MIYAZAKI	
				APPROVED : MO. NAKAMURA		07.01.30		DRAWING NO. EDC3-314914-01	
				CHECKED : KH. IKEDA		07.01.30		PART NO. DF37B-*DP-0.4V(51)	
				DESIGNED : KY. MIDORIKAWA		07.01.30		CODE NO. CL684	
				DRAWN : KY. MIDORIKAWA		07.01.30		1/2	

Sep.1.2021 Copyright 2021 HIROSE ELECTRIC CO., LTD. All Rights Reserved.
In case of consideration for using Automotive equipment / device which demand high reliability, kindly contact our sales window correspondents.



HRS	DRAWING NO.	EDC3-314914-01
	PART NO.	DF37B-*DP-0.4V(51)
	CODE NO.	CL684-

3/2

X-ON Electronics

Largest Supplier of Electrical and Electronic Components

Click to view similar products for [Board to Board & Mezzanine Connectors](#) category:

Click to view products by [Hirose](#) manufacturer:

Other Similar products are found below :

[589158040000018](#) [MDF7C-18P-2.54DSA\(55\)](#) [FCN-230C068-11](#) [FCN-268F012-G/BD](#) [FCN-268F036-G/BD](#) [FCN-268M012-G/0D](#) [FCN-268M024-G/1D](#) [FCN-723J004/1](#) [MIS-048-01-F-D-DP-K](#) [832-10-034-10-001000](#) [FX4C-80S-1.27DSA](#) [FCN-214Q030-G/0](#) [FCN-234P048-G/0](#) [FCN-235D050-G/C](#) [210-93-314-41-105000](#) [2-22603-0](#) [MDF7-40DP-2.54DSA\(55\)](#) [AXG720047](#) [MIT-114-03-F-D-K](#) [55323-1519](#) [DF33-2P-3.3DSA\(24\)](#) [YFT-20-05-H-03-SB-K](#) [503308-3040](#) [026-6203-PDB](#) [027-6203-PDB](#) [069159702701000](#) [10123981-102LF](#) [101A10019X](#) [55650-0588-C](#) [68682-310LF](#) [68684-306](#) [75140-7012](#) [87471-650](#) [YTW-30-07-H-Q-410-140](#) [FCN-268F024-G0D](#) [10124054-515LF](#) [68685-603](#) [8-1616154-3](#) [MIS-019-01-F-D](#) [FCN-268M024-G/3D](#) [FCN-268M036-G/BD](#) [20021832-06016C1LF](#) [KX15-20KLDL-E1000E](#) [AXE810124](#) [FCN-214J100-G/0](#) [FCN-230C068-E/S](#) [AXE812124](#) [AXE816124](#) [AXE720127](#) [354184](#)