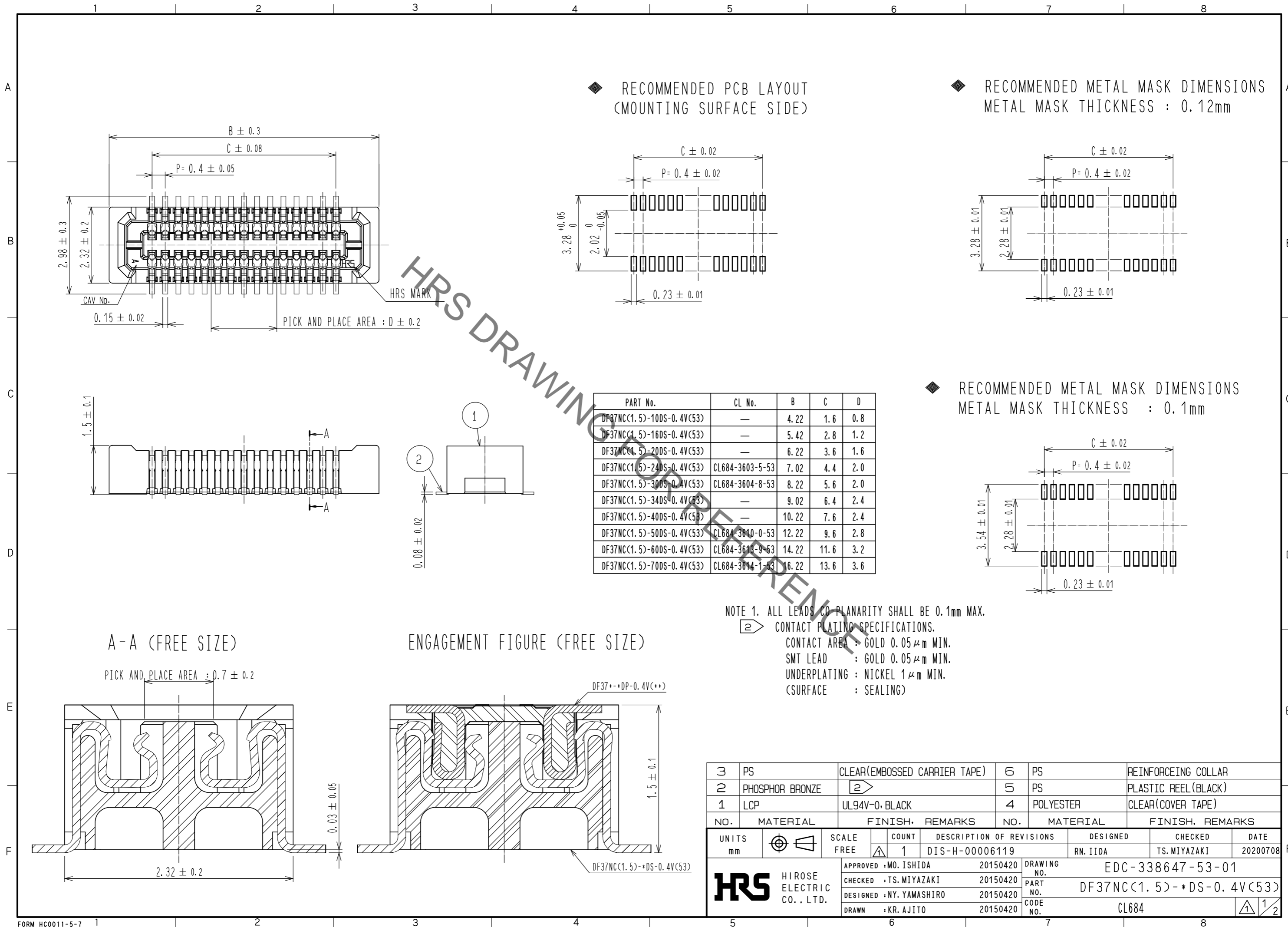
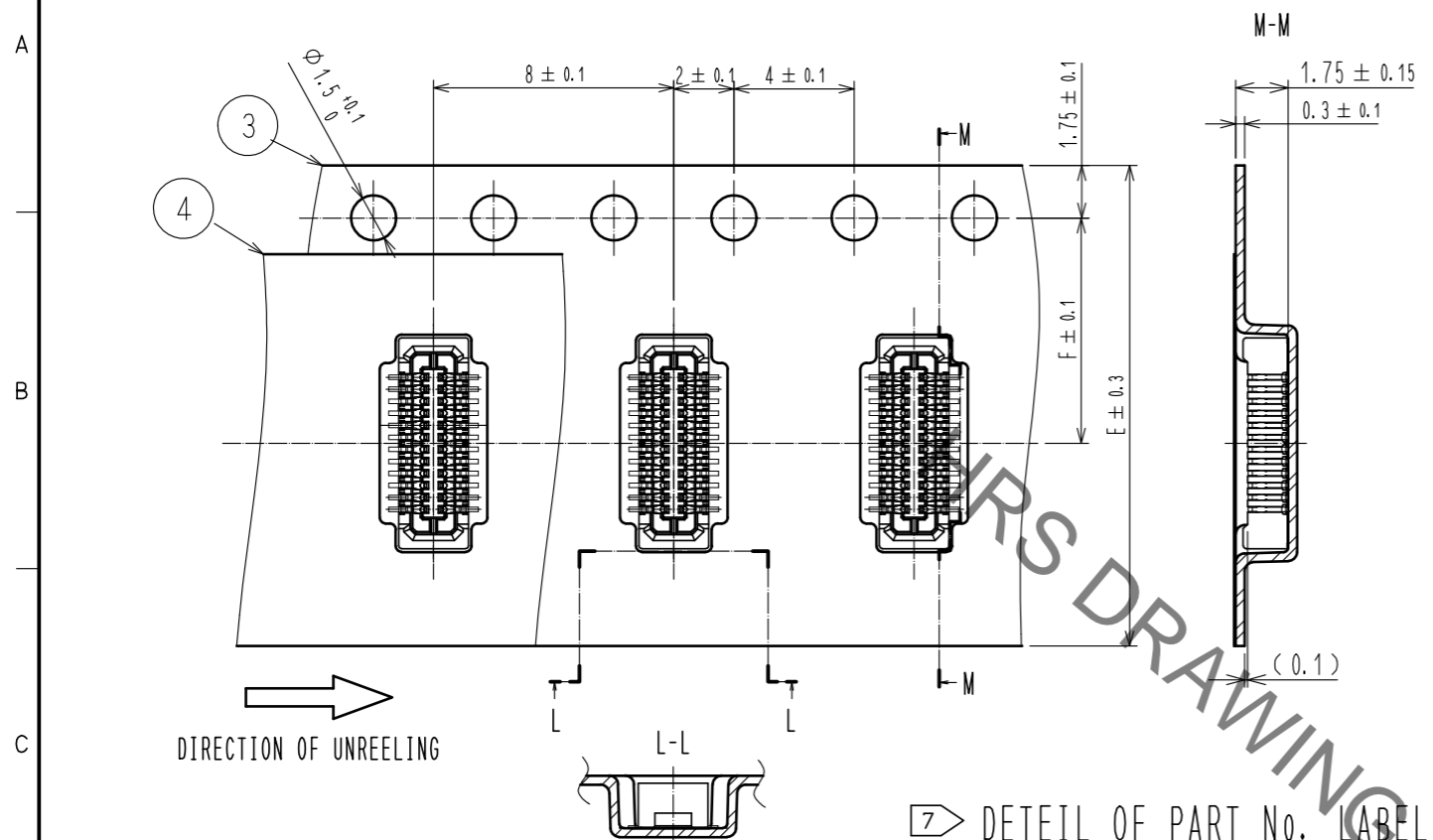


Nov.1.2020 Copyright 2020 HIROSE ELECTRIC CO., LTD. All Rights Reserved.
In case of consideration for using Automotive equipment / device which demand high reliability, kindly contact our sales window correspondents.

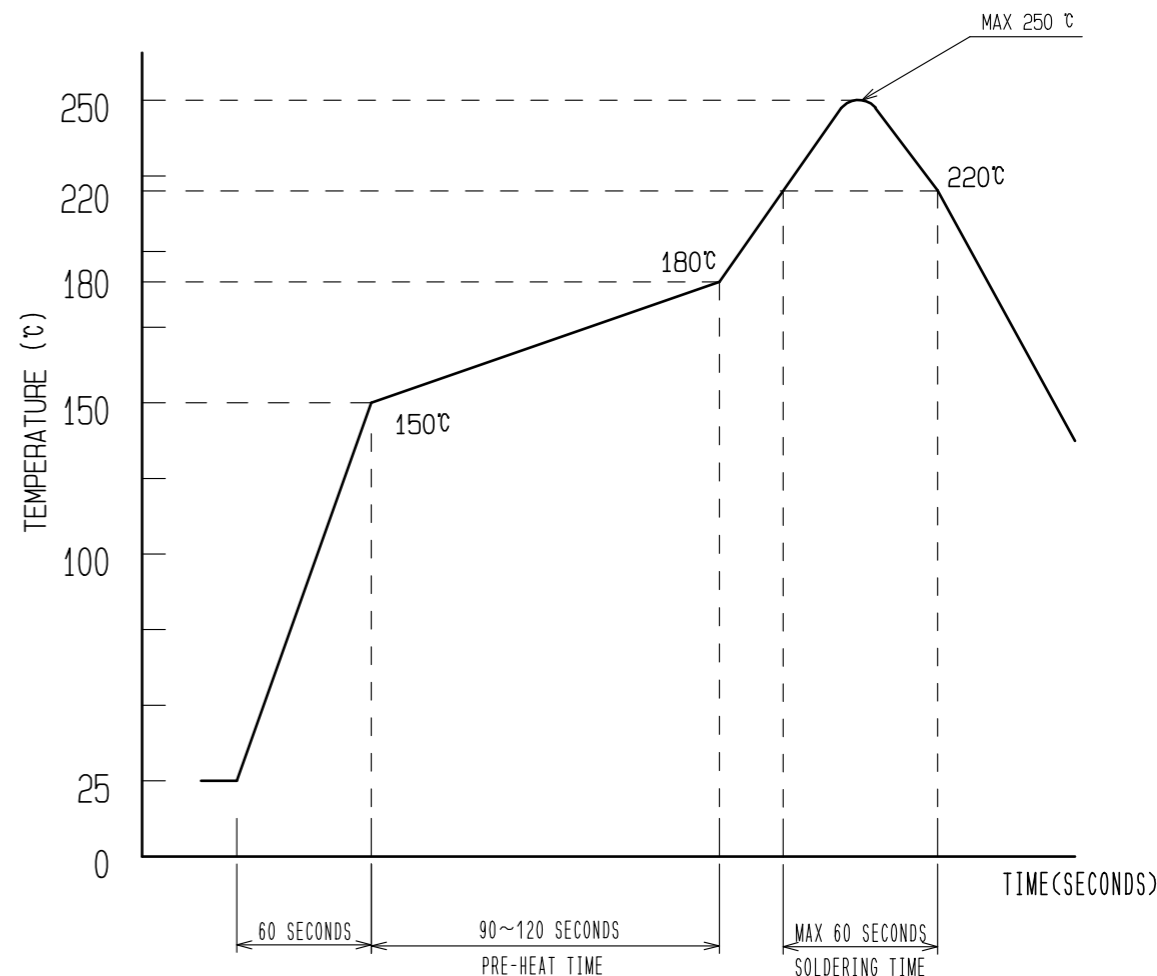


Nov.1.2020 Copyright 2020 HIROSE ELECTRIC CO., LTD. All Rights Reserved.
In case of consideration for using Automotive equipment / device which demand high reliability, kindly contact our sales window correspondents.

EMBOSSED CARRIER TAPE PACKAGING (FREE SIZE)



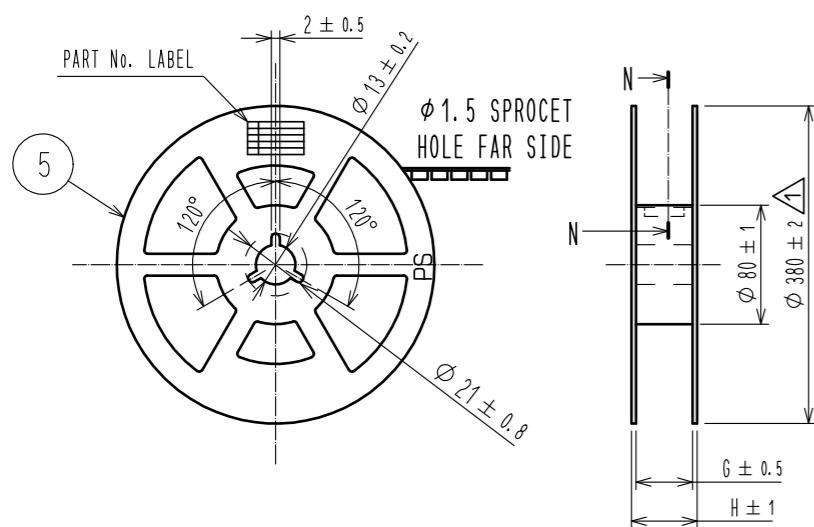
RECOMMENDED REFLOW TEMPERATURE PROFILE USING LEAD-FREE SOLDER PASTE.



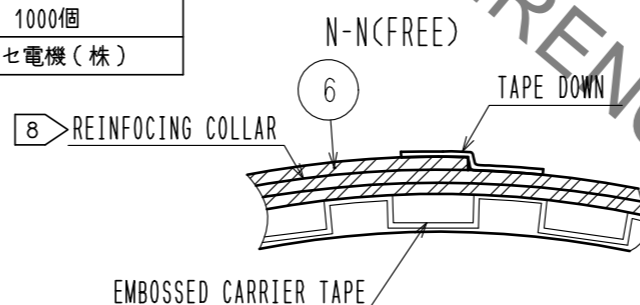
DETAIL OF PART No. LABEL

SUPPLIER	QUANTITY	PART NO.	CODE NO.	DATE OF MANUFACTURED
製造年月日	年 月 日	製品コード	** ** *	
製品名	DF37NC(1.5)-DS-0.4V(53)	数量	1000個	納入者
				ヒロセ電機(株)

STYLE AND DIMENSION OF REEL (FREE SIZE)

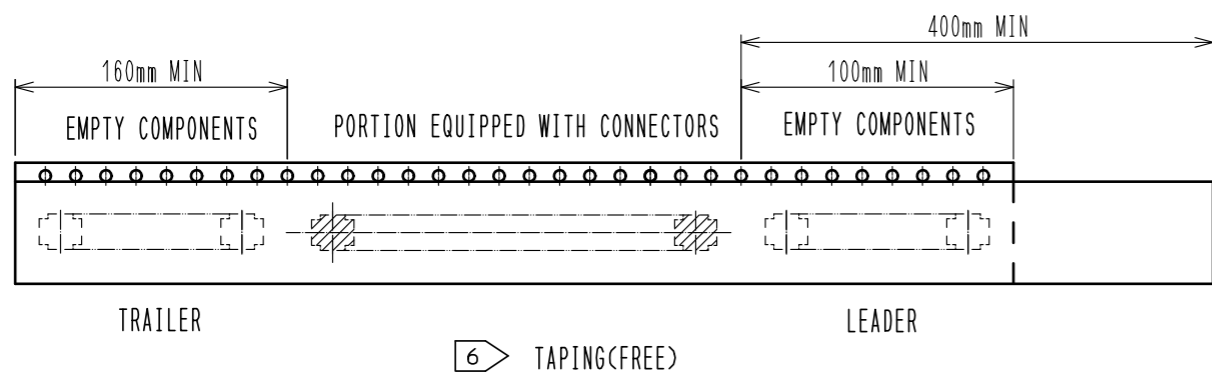


- 1) REFLOW TIME
REFLOW METHOD: IR REFLOW
NUMBER OF REFLOW CYCLES: 2 CYCLES MAX.
DURATION ABOVE 220 °C, 60 SEC. MAX.
(PEAK TEMPERATURE: 250°C MAX.)
- 2) PRE-HEAT TIME
PRE-HEAT TEMPERATURE(MIN) :150 °C
PRE-HEAT TEMPERATURE(MAX) :180 °C
PRE-HEAT TIME : 90~120 sec.



NOTES 3 THIS TEMPERATURE PROFILE IS PER THE CONDITIONS SHOWN ABOVE. ADDITIONAL FACTORS, SUCH AS SOLDER PASTE TYPE, PCB SIZE AND OTHER MOUNTED COMPONENTS COULD AFFECT THE PROFILE. THEREFORE, A THOROUGH EVALUATION OF MOUNTING CONDITION IS REQUIRED PRIOR TO PRODUCTION. TEMPERATURE IS MEASURED AT CONTACT LEAD.

- 4. PER REEL 1000 CONNECTORS.
- 5. THE DIMENSIONS IN PARENTHESES ARE FOR REFERENCE.
- 6 REFER TO JIS C 0806, IEC 60286-3
(PACKING OF COMPONENTS FOR AUTOMATIC HANDLING)
- 7 DETAIL OF PART No. LABEL IS WRITTEN IN JAPANESE.
- 8 AFTER FINISHING THE REELING, COVER THE SURFACE WITH 2 METERS OF REINFORCING COLLAR AND THE DOWN AT THE END.



PART No.	E	F	G	H
DF37NC(1.5)-10DS-0.4V(53)	16	7.5	17.5	21.5
DF37NC(1.5)-16DS-0.4V(53)	16	7.5	17.5	21.5
DF37NC(1.5)-20DS-0.4V(53)	16	7.5	17.5	21.5
DF37NC(1.5)-24DS-0.4V(53)	16	7.5	17.5	21.5
DF37NC(1.5)-30DS-0.4V(53)	24	11.5	25.5	29.5
DF37NC(1.5)-34DS-0.4V(53)	24	11.5	25.5	29.5
DF37NC(1.5)-40DS-0.4V(53)	24	11.5	25.5	29.5
DF37NC(1.5)-50DS-0.4V(53)	24	11.5	25.5	29.5
DF37NC(1.5)-60DS-0.4V(53)	24	11.5	25.5	29.5
DF37NC(1.5)-70DS-0.4V(53)	32	14.2	33.5	37.5

HRS	DRAWING NO.	EDC-338647-53-01
	PART NO.	DF37NC(1.5)-*DS-0.4V(53)
	CODE NO.	CL684

X-ON Electronics

Largest Supplier of Electrical and Electronic Components

Click to view similar products for [Board to Board & Mezzanine Connectors](#) category:

Click to view products by [Hirose](#) manufacturer:

Other Similar products are found below :

[589158040000018](#) [MDF7C-18P-2.54DSA\(55\)](#) [FCN-230C068-11](#) [FCN-268F012-G/BD](#) [FCN-268F036-G/BD](#) [FCN-268M012-G/0D](#) [FCN-268M024-G/1D](#) [FCN-723J004/1](#) [MIS-048-01-F-D-DP-K](#) [832-10-034-10-001000](#) [FX4C-80S-1.27DSA](#) [FCN-214Q030-G/0](#) [FCN-234P048-G/0](#) [FCN-235D050-G/C](#) [210-93-314-41-105000](#) [2-22603-0](#) [MDF7-40DP-2.54DSA\(55\)](#) [AXG720047](#) [MIT-114-03-F-D-K](#) [55323-1519](#) [DF33-2P-3.3DSA\(24\)](#) [YFT-20-05-H-03-SB-K](#) [503308-3040](#) [026-6203-PDB](#) [027-6203-PDB](#) [069159702701000](#) [10123981-102LF](#) [101A10019X](#) [55650-0588-C](#) [68682-310LF](#) [68684-306](#) [75140-7012](#) [87471-650](#) [YTW-30-07-H-Q-410-140](#) [FCN-268F024-G0D](#) [10124054-515LF](#) [68685-603](#) [8-1616154-3](#) [MIS-019-01-F-D](#) [FCN-268M024-G/3D](#) [FCN-268M036-G/BD](#) [20021832-06016C1LF](#) [KX15-20KLDL-E1000E](#) [AXE810124](#) [FCN-214J100-G/0](#) [FCN-230C068-E/S](#) [AXE812124](#) [AXE816124](#) [AXE720127](#) [354184](#)