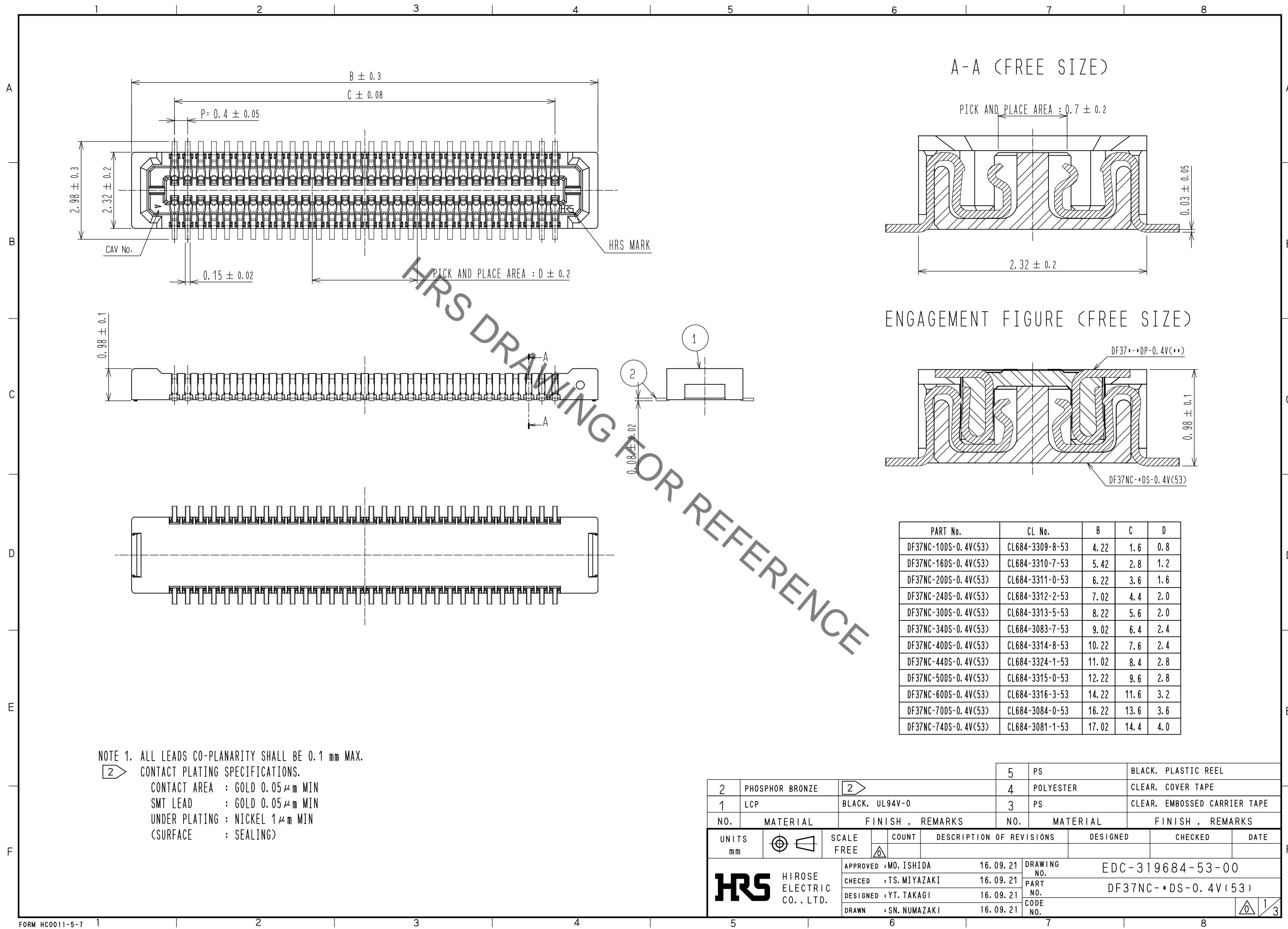


Dec.1.2020 Copyright 2020 HIROSE ELECTRIC CO., LTD. All Rights Reserved.
In case of consideration for using Automotive equipment / device which demand high reliability, kindly contact our sales window correspondents.



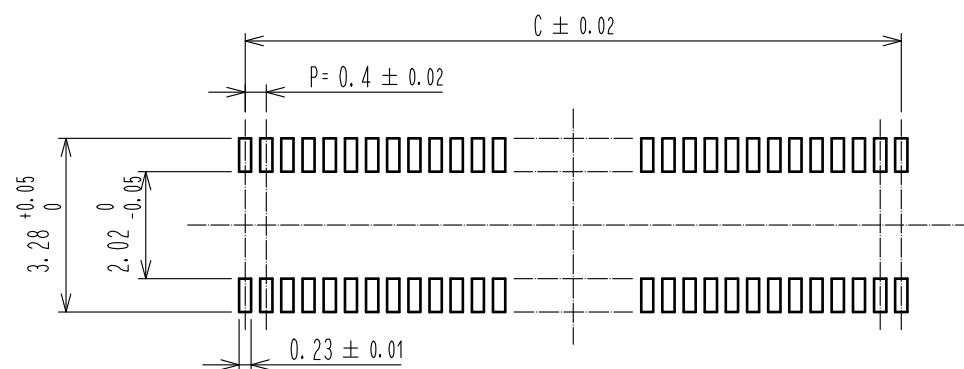
NOTE 1. ALL LEADS CO-PLANARITY SHALL BE 0.1 mm MAX.
 2 CONTACT PLATING SPECIFICATIONS.
 CONTACT AREA : GOLD 0.05 μ m MIN
 SMT LEAD : GOLD 0.05 μ m MIN
 UNDER PLATING : NICKEL 1 μ m MIN
 (SURFACE : SEALING)

PART No.	CL No.	B	C	D
DF37NC-10DS-0.4V(53)	CL684-3309-8-53	4.22	1.6	0.8
DF37NC-16DS-0.4V(53)	CL684-3310-7-53	5.42	2.8	1.2
DF37NC-20DS-0.4V(53)	CL684-3311-0-53	6.22	3.6	1.6
DF37NC-24DS-0.4V(53)	CL684-3312-2-53	7.02	4.4	2.0
DF37NC-30DS-0.4V(53)	CL684-3313-5-53	8.22	5.6	2.0
DF37NC-34DS-0.4V(53)	CL684-3083-7-53	9.02	6.4	2.4
DF37NC-40DS-0.4V(53)	CL684-3314-8-53	10.22	7.6	2.4
DF37NC-44DS-0.4V(53)	CL684-3324-1-53	11.02	8.4	2.8
DF37NC-50DS-0.4V(53)	CL684-3315-0-53	12.22	9.6	2.8
DF37NC-60DS-0.4V(53)	CL684-3316-3-53	14.22	11.6	3.2
DF37NC-70DS-0.4V(53)	CL684-3084-0-53	16.22	13.6	3.6
DF37NC-74DS-0.4V(53)	CL684-3081-1-53	17.02	14.4	4.0

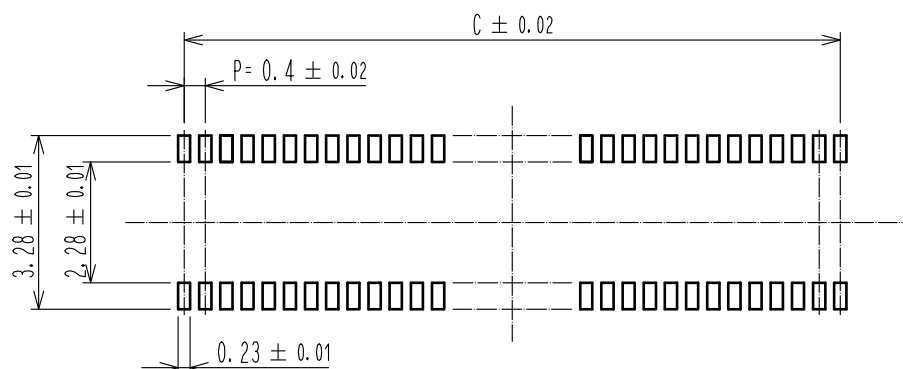
2	PHOSPHOR BRONZE	2	5	PS	BLACK, PLASTIC REEL
1	LCP	BLACK, UL94V-0	4	POLYESTER	CLEAR, COVER TAPE
			3	PS	CLEAR, EMBOSSED CARRIER TAPE
NO.	MATERIAL	FINISH, REMARKS	NO.	MATERIAL	FINISH, REMARKS
UNITS		SCALE	COUNT	DESCRIPTION OF REVISIONS	
mm		FREE		DESIGNED	CHECKED
HRS HIROSE ELECTRIC CO., LTD.		APPROVED : MO. ISHIDA	16.09.21	DRAWING NO. EDC-319684-53-00	
		CHECED : TS. MIYAZAKI	16.09.21	PART NO. DF37NC-*DS-0.4V(53)	
		DESIGNED : YT. TAKAGI	16.09.21	CODE NO.	
		DRAWN : SN. NUMAZAKI	16.09.21	1/3	

Dec.1.2020 Copyright 2020 HIROSE ELECTRIC CO., LTD. All Rights Reserved.
 In case of consideration for using Automotive equipment / device which demand high reliability, kindly contact our sales window correspondents.

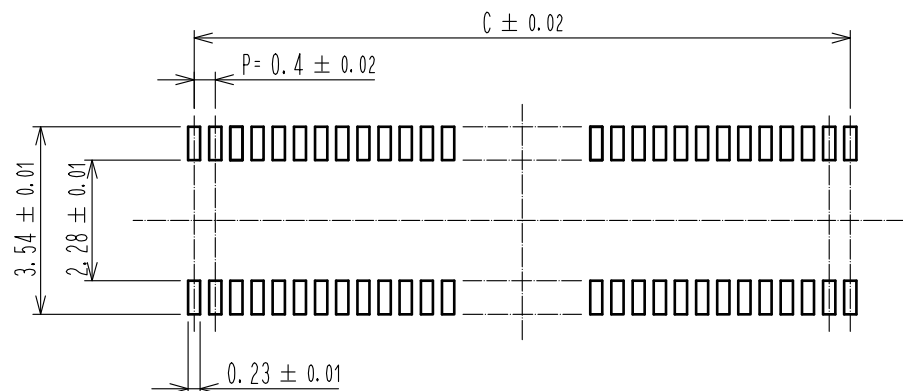
◆ RECOMMENDED PCB LAYOUT (MOUNTING SURFACE SIDE)



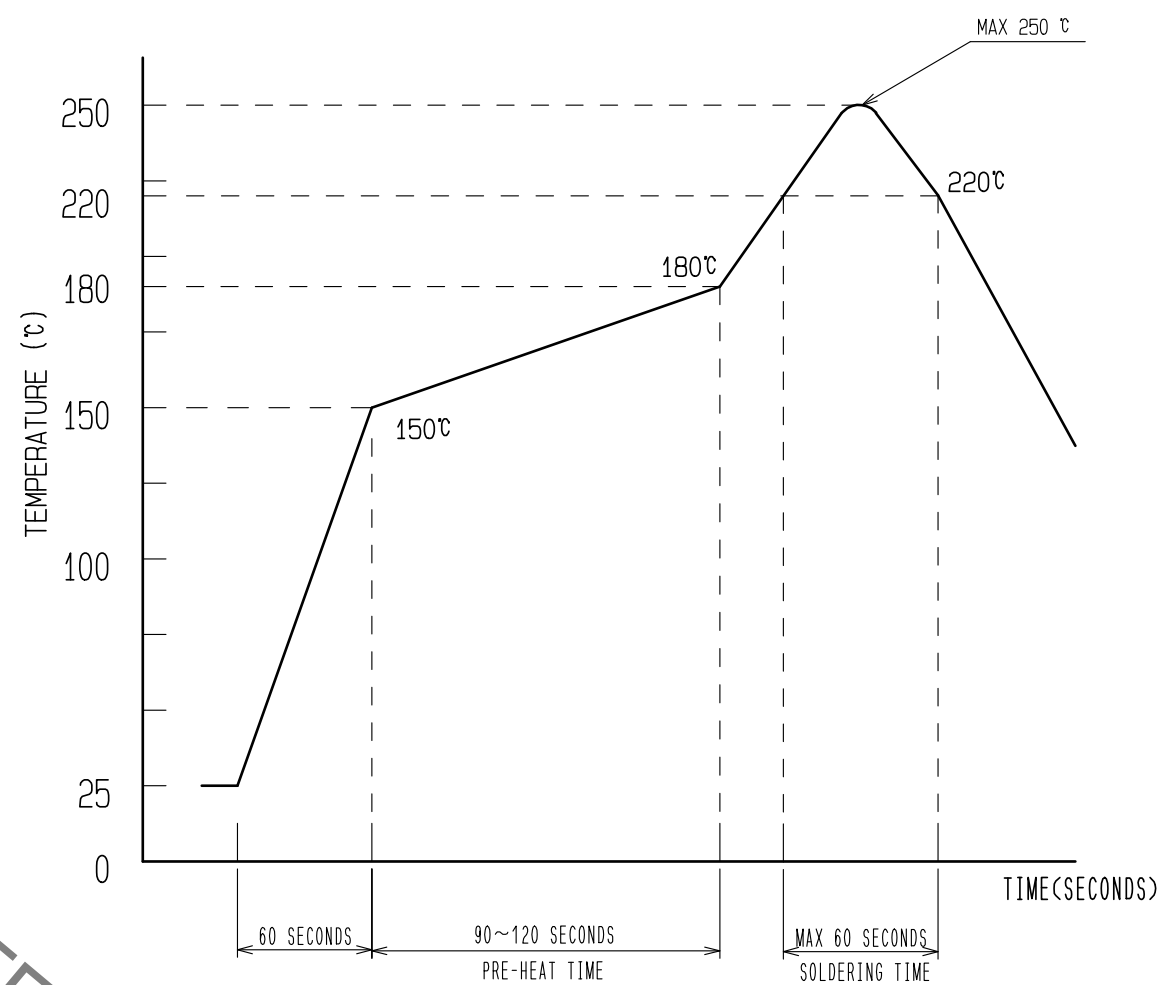
◆ RECOMMENDED METAL MASK DIMENSIONS
 METAL MASK THICKNESS : 0.12mm



◆ RECOMMENDED METAL MASK DIMENSIONS
 METAL MASK THICKNESS : 0.1mm



③ RECOMMENDED REFLOW TEMPERATURE PROFILE USING LEAD-FREE SOLDER PASTE.



- 1) REFLOW TIME
 REFLOW METHOD: IR REFLOW
 NUMBER OF REFLOW CYCLES: 2 CYCLES MAX.
 DURATION ABOVE 220 °C, 60 SEC. MAX.
 (PEAK TEMPERATURE: 250°C MAX.)
- 2) PRE-HEAT TIME
 PRE-HEAT TEMPERATURE(MIN) : 150 °C
 PRE-HEAT TEMPERATURE(MAX) : 180 °C
 PRE-HEAT TIME : 90~120 sec.

③ THIS TEMPERATURE PROFILE IS PER THE CONDITIONS SHOWN ABOVE. ADDITIONAL FACTORS, SUCH AS SOLDER PASTE TYPE, PCB SIZE AND OTHER MOUNTED COMPONENTS COULD AFFECT THE PROFILE. THEREFORE, A THOROUGH EVALUATION OF MOUNTING CONDITION IS REQUIRED PRIOR TO PRODUCTION. TEMPERATURE IS MEASURED AT CONTACT LEAD.

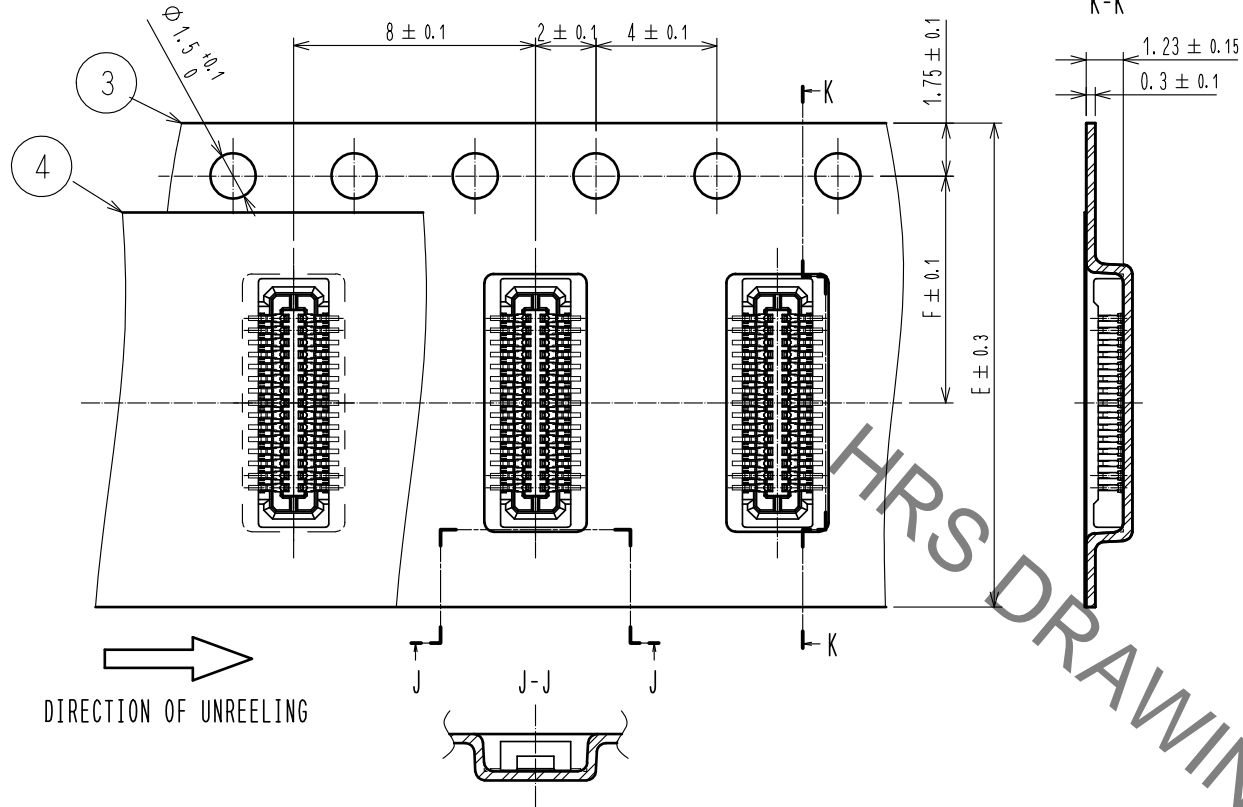
PART No.	C
DF37NC-10DS-0.4V(53)	1.6
DF37NC-16DS-0.4V(53)	2.8
DF37NC-20DS-0.4V(53)	3.6
DF37NC-24DS-0.4V(53)	4.4
DF37NC-30DS-0.4V(53)	5.6
DF37NC-34DS-0.4V(53)	6.4
DF37NC-40DS-0.4V(53)	7.6
DF37NC-44DS-0.4V(53)	8.4
DF37NC-50DS-0.4V(53)	9.6
DF37NC-60DS-0.4V(53)	11.6
DF37NC-70DS-0.4V(53)	13.6
DF37NC-74DS-0.4V(53)	14.4

HRS	DRAWING NO.	EDC-319684-53-00
	PART NO.	DF37NC-*DS-0.4V(53)
	CODE NO.	

Dec.1.2020 Copyright 2020 HIROSE ELECTRIC CO., LTD. All Rights Reserved.
In case of consideration for using Automotive equipment / device which demand high reliability, kindly contact our sales window correspondents.

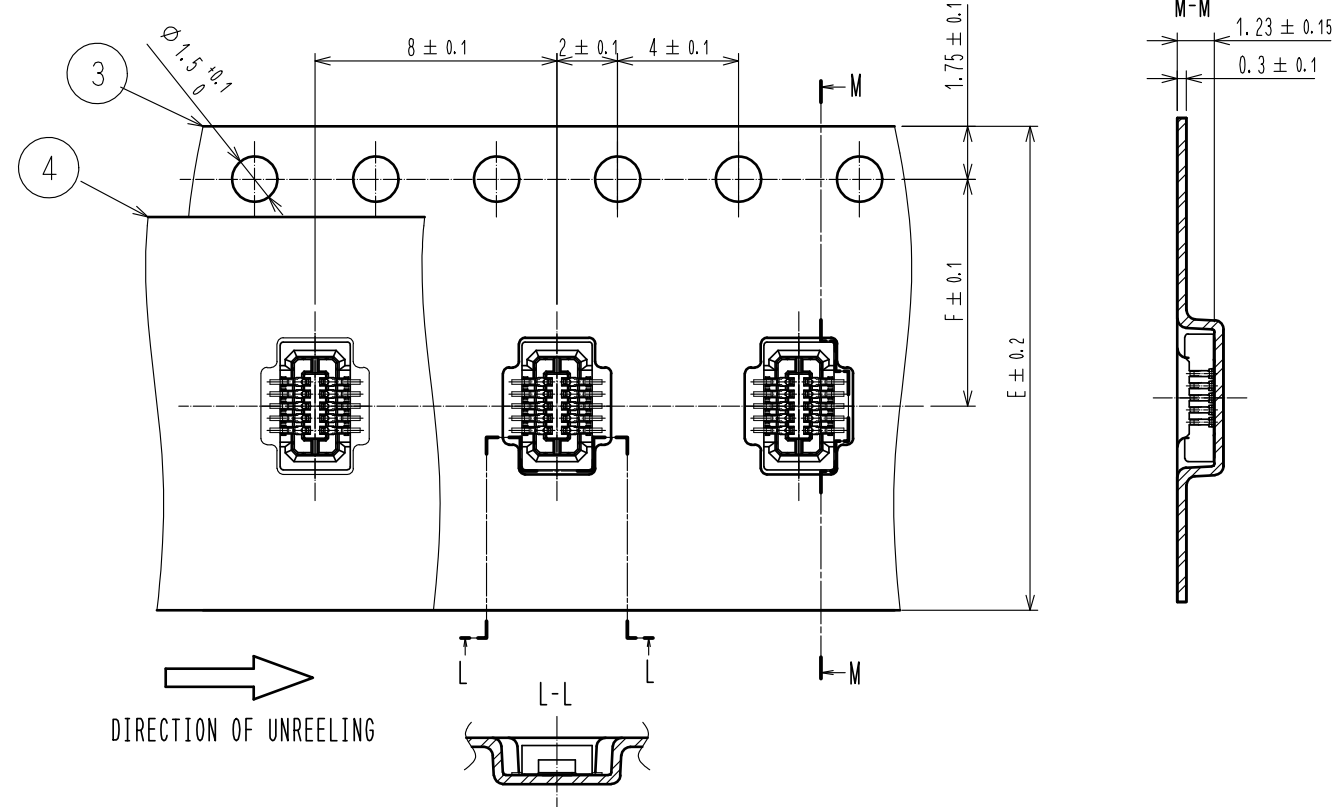
EMBOSSED CARRIER TAPE PACKAGING (FREE SIZE)

◆ MORE THAN 20 POS.

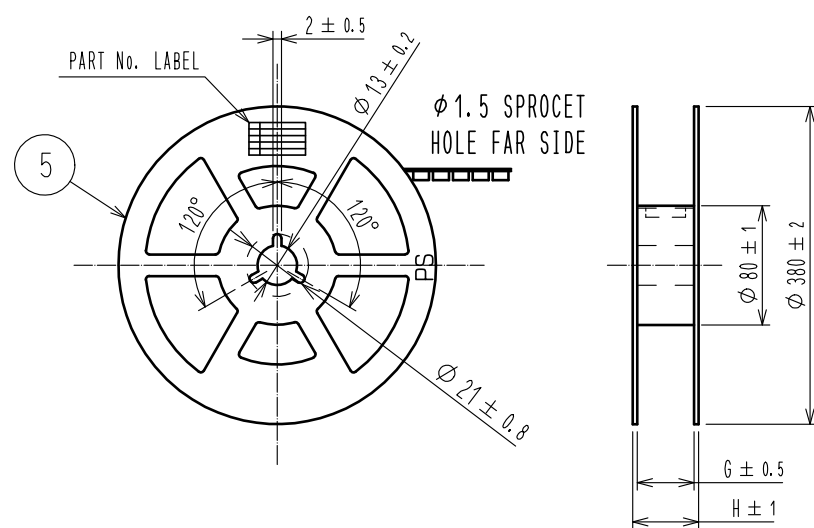


EMBOSSED CARRIER TAPE PACKAGING (FREE SIZE)

◆ LESS THAN 20 POS.



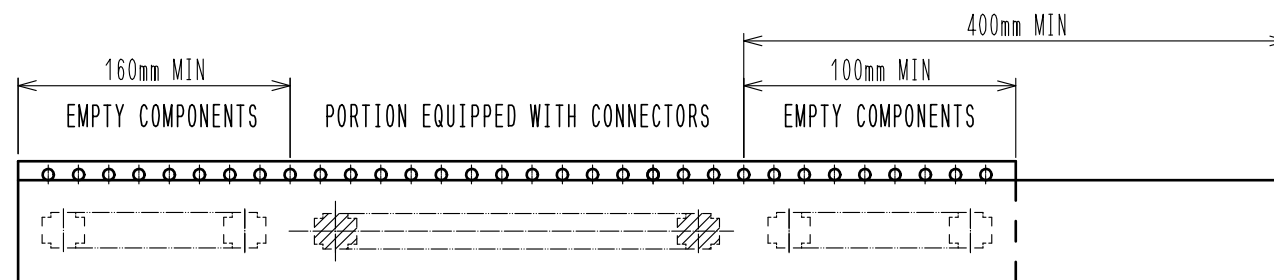
STYLE AND DIMENSION OF REEL (FREE SIZE)



DETAIL OF PART No. LABEL

SUPPLIER	HIROSE ELECTRIC CO., LTD.
QUANTITY	1000個
PART NO.	DF37NC-DS-0.4V(53)
CODE NO.	** ** *
DATE OF MANUFACTURED	年 月 日
製造年月日	年 月 日
製品コード	** ** *
製品名	DF37NC-DS-0.4V(53)
数量	1000個
納入者	ヒロセ電機(株)

PART No.	E	F	G	H
DF37NC-10DS-0.4V(53)	16	7.5	17.5	21.5
DF37NC-16DS-0.4V(53)	16	7.5	17.5	21.5
DF37NC-20DS-0.4V(53)	16	7.5	17.5	21.5
DF37NC-24DS-0.4V(53)	16	7.5	17.5	21.5
DF37NC-30DS-0.4V(53)	24	11.5	25.5	29.5
DF37NC-34DS-0.4V(53)	24	11.5	25.5	29.5
DF37NC-40DS-0.4V(53)	24	11.5	25.5	29.5
DF37NC-44DS-0.4V(53)	24	11.5	25.5	29.5
DF37NC-50DS-0.4V(53)	24	11.5	25.5	29.5
DF37NC-60DS-0.4V(53)	24	11.5	25.5	29.5
DF37NC-70DS-0.4V(53)	32	14.2	33.5	37.5
DF37NC-74DS-0.4V(53)	32	14.2	33.5	37.5



TRAILER

6 TAPING(FREE)

LEADER

- NOTES 4. PER REEL 1000 CONNECTORS.
5. THE DIMENSIONS IN PARENTHESES ARE FOR REFERENCE.
6 REFER TO JIS C 0806(PACKING OF COMPONENTS FOR AUTOMATIC HANDLING)
7 DETAIL OF PART NO. LABEL IS WRITTEN IN JAPANESE.

HRS	DRAWING NO.	EDC-319684-53-00
	PART NO.	DF37NC-DS-0.4V(53)
	CODE NO.	

X-ON Electronics

Largest Supplier of Electrical and Electronic Components

Click to view similar products for [Board to Board & Mezzanine Connectors](#) category:

Click to view products by [Hirose](#) manufacturer:

Other Similar products are found below :

[589158040000018](#) [MDF7C-18P-2.54DSA\(55\)](#) [FCN-230C068-11](#) [FCN-268F012-G/BD](#) [FCN-268F036-G/BD](#) [FCN-268M012-G/0D](#) [FCN-268M024-G/1D](#) [FCN-723J004/1](#) [MIS-048-01-F-D-DP-K](#) [832-10-034-10-001000](#) [FX4C-80S-1.27DSA](#) [FCN-214Q030-G/0](#) [FCN-234P048-G/0](#) [FCN-235D050-G/C](#) [210-93-314-41-105000](#) [2-22603-0](#) [MDF7-40DP-2.54DSA\(55\)](#) [AXG720047](#) [MIT-114-03-F-D-K](#) [55323-1519](#) [DF33-2P-3.3DSA\(24\)](#) [YFT-20-05-H-03-SB-K](#) [503308-3040](#) [026-6203-PDB](#) [027-6203-PDB](#) [069159702701000](#) [10123981-102LF](#) [101A10019X](#) [55650-0588-C](#) [68682-310LF](#) [68684-306](#) [75140-7012](#) [87471-650](#) [YTW-30-07-H-Q-410-140](#) [FCN-268F024-G0D](#) [10124054-515LF](#) [68685-603](#) [8-1616154-3](#) [MIS-019-01-F-D](#) [FCN-268M024-G/3D](#) [FCN-268M036-G/BD](#) [20021832-06016C1LF](#) [KX15-20KLDL-E1000E](#) [AXE810124](#) [FCN-214J100-G/0](#) [FCN-230C068-E/S](#) [AXE812124](#) [AXE816124](#) [AXE720127](#) [354184](#)