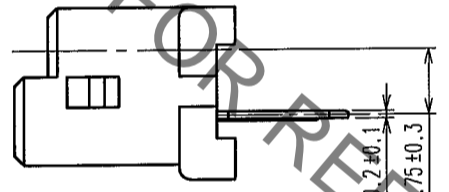
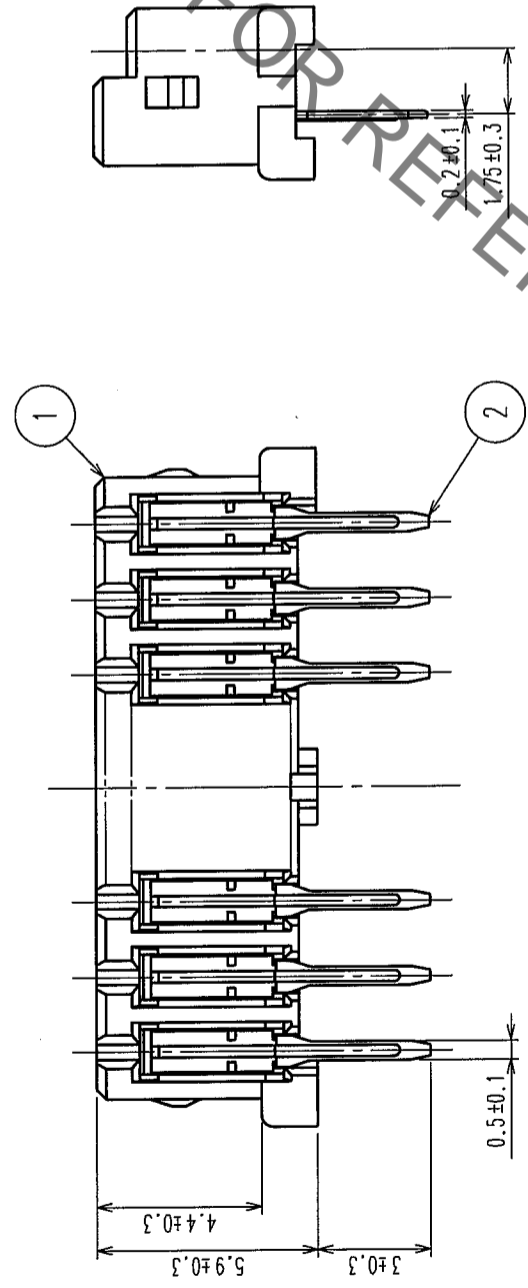
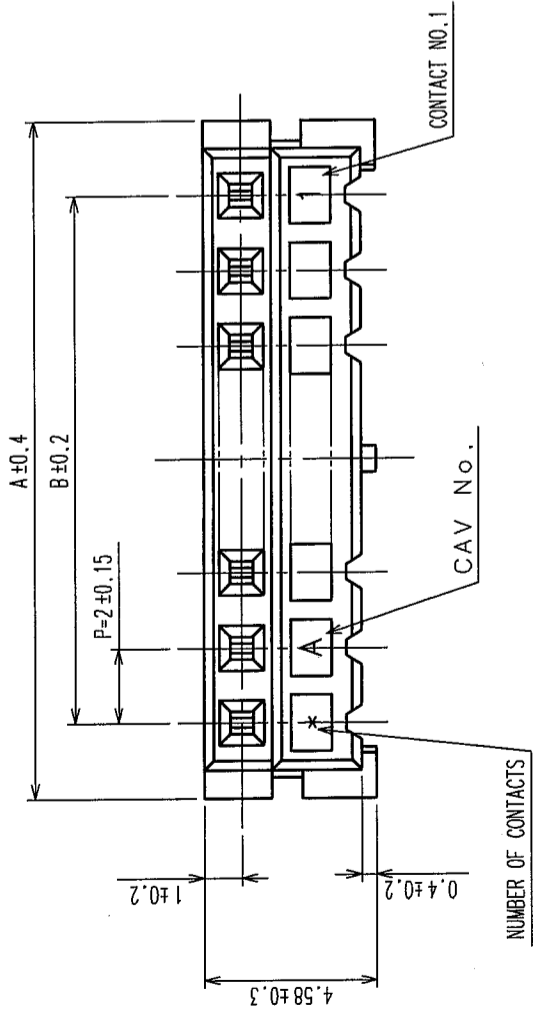
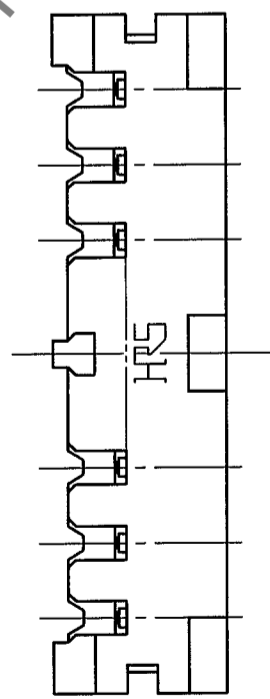
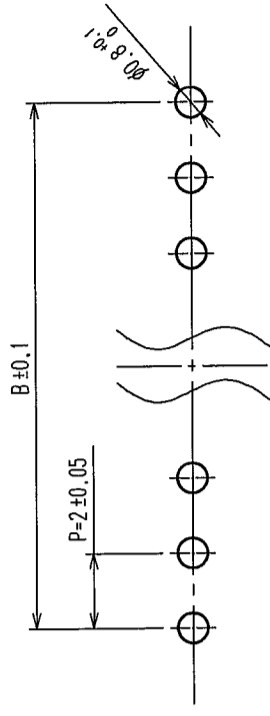


5	6	7	8	
COUNT	DESCRIPTION OF REVISIONS	BY	CHKD	DATE
△				
△				
△				



CODE NO.	PART NO.	NUMBER OF CONTACT	A	B
CL543-0048-6-25	DF3-2S-2DSA(25)	2	6.0	2.0
CL543-0049-9-25	DF3-3S-2DSA(25)	3	8.0	4.0
CL543-0050-8-25	DF3-4S-2DSA(25)	4	10.0	6.0
CL543-0051-0-25	DF3-5S-2DSA(25)	5	12.0	8.0
CL543-0052-3-25	DF3-6S-2DSA(25)	6	14.0	10.0
CL543-0053-6-25	DF3-7S-2DSA(25)	7	16.0	12.0
CL543-0054-9-25	DF3-8S-2DSA(25)	8	18.0	14.0
CL543-0055-1-25	DF3-9S-2DSA(25)	9	20.0	16.0
CL543-0056-4-25	DF3-10S-2DSA(25)	10	22.0	18.0
CL543-0057-7-25	DF3-11S-2DSA(25)	11	24.0	20.0
CL543-0058-0-25	DF3-12S-2DSA(25)	12	26.0	22.0
CL543-0059-2-25	DF3-13S-2DSA(25)	13	28.0	24.0
CL543-0060-1-25	DF3-14S-2DSA(25)	14	30.0	26.0
CL543-0061-4-25	DF3-15S-2DSA(25)	15	32.0	28.0

RECOMMENDED PATTERN

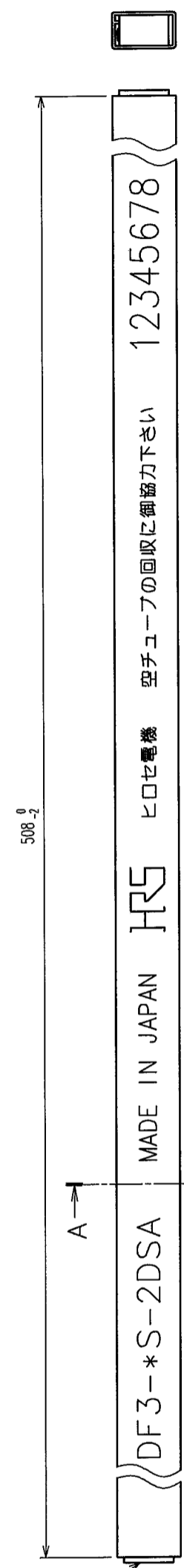


2	PHOSPHOR BRONZE	TIN PLATED 2μm min	4	S. PVC	STOPPER
1	POHYAMIDE	UL94V-0(BLACK)	3	RIGID POLYVINYLCHLORIDE	ELECTROSTATIC PROTECTION, CLEAR
NO.	MATERIAL	FINISH, REMARKS	NO.	MATERIAL	FINISH, REMARKS
CODE NO. (OLD)	CL		DESIGNED	CHECKED	APPROVED
			M. Nakamoto	T. Miyagaki	J. Owa
			'04.03.22	'04.03.22	'04.03.22

DRAWING NO.		PART NO.	
EDC3-162329-10		DF3-*S-2DSA(25)	
SCALE	5 : 1	CODE NO.	CL543-
UNITS	mm		

TO	

5	6	7	8	
COUNT	DESCRIPTION OF REVISIONS	BY	CHKD	DATE
△				
△				
△				



508 0 2

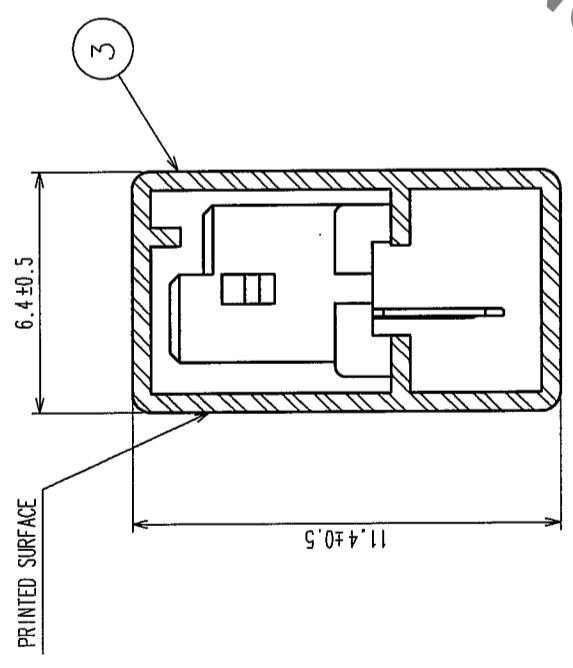
DF3-\*S-2DSA

MADE IN JAPAN HRS

ヒロセ電機 空チューブの回収に御協力下さい

12345678

A-A(5:1)



CODE NO.	PART NO.	NUMBER OF CONNECTORS
CL543-0048-6-25	DF3-2S-2DSA(25)	80
CL543-0049-9-25	DF3-3S-2DSA(25)	60
CL543-0050-8-25	DF3-4S-2DSA(25)	48
CL543-0051-0-25	DF3-5S-2DSA(25)	40
CL543-0052-3-25	DF3-6S-2DSA(25)	34
CL543-0053-6-25	DF3-7S-2DSA(25)	30
CL543-0054-9-25	DF3-8S-2DSA(25)	27
CL543-0055-1-25	DF3-9S-2DSA(25)	24
CL543-0056-4-25	DF3-10S-2DSA(25)	21
CL543-0057-7-25	DF3-11S-2DSA(25)	20
CL543-0058-0-25	DF3-12S-2DSA(25)	18
CL543-0059-2-25	DF3-13S-2DSA(25)	17
CL543-0060-1-25	DF3-14S-2DSA(25)	16
CL543-0061-4-25	DF3-15S-2DSA(25)	15

DRAWING FOR REFERENCE

NOTES1. NUMBER OF CONNECTERS PER A MAGAZINE CASE SHALL BE IN ACCORDANCE WITH THE LIST.

2. THESE CONNECTORS SHALL BE ON SALED IN ACCORDANCE WITH THE MULTIPLE QUANTITY ON THE LIST.

NO.	MATERIAL	FINISH, REMARKS	NO.	MATERIAL	FINISH, REMARKS
CL					
DRAWN		M. Nakamoto	DESIGNED		H. Imahara
DATE		'04.03.22	CHECKED		T. Miyazaki
DRAWING NO.		EDC3-162329-10	APPROVED		J. Ana
SCALE			RELEASED		
UNITS		FR:EE	PART NO.		DF3-*S-2DSA(25)
		HIRSE	CODE NO.		CL543-
		HIRSE ELECTRIC CO., LTD			2

TO

## X-ON Electronics

Largest Supplier of Electrical and Electronic Components

*Click to view similar products for [Headers & Wire Housings](#) category:*

*Click to view products by [Hirose](#) manufacturer:*

Other Similar products are found below :

[892-18-020-10-001101](#) [58102-G61-06LF](#) [582553-1](#) [0009485154](#) [009176003701906](#) [0050291907](#) [LY20-4P-DT1-P1E-BR](#) [02.125.8002.8](#)  
[609-3404](#) [61062-3](#) [622-0430](#) [622-3653LF](#) [63453-116](#) [636-1030](#) [636-1427](#) [636-3427](#) [636-4007](#) [641938-9](#) [641991-4](#) [644827-2](#) [65817-010LF](#)  
[65817-015LF](#) [65863-015LF](#) [66207-023LF](#) [67095-007LF](#) [67601157](#) [68648-049](#) [70.362.1628.0](#) [70-4210](#) [70-4226B](#) [70-4853B](#) [707-5020](#) [707-5028](#) [71.350.2428.0](#) [71918-208LF](#) [71961-016LF](#) [733-134](#) [733-162](#) [754199-000](#) [760-3052](#) [787-8014-00](#) [79531-3000](#) [FCN-360C032-B](#) [FCN-367T-T012/H](#) [FCN-723D010/2](#) [80.063.4001.1](#) [800-90-001-10-001000](#) [800-90-010-10-002000](#) [801-43-002-10-013000](#) [801-43-006-10-002000](#)