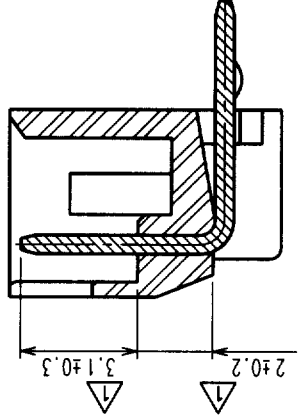
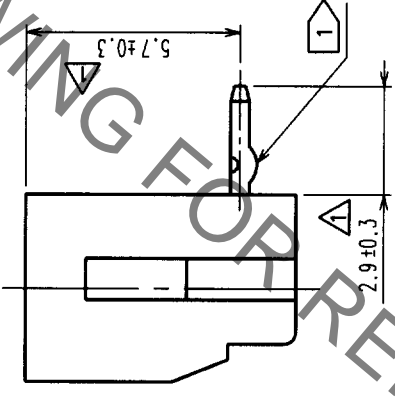
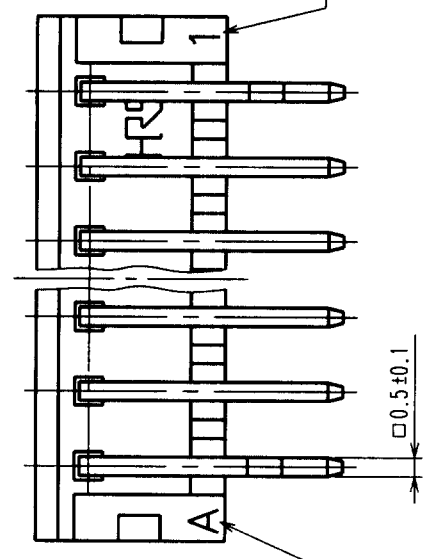
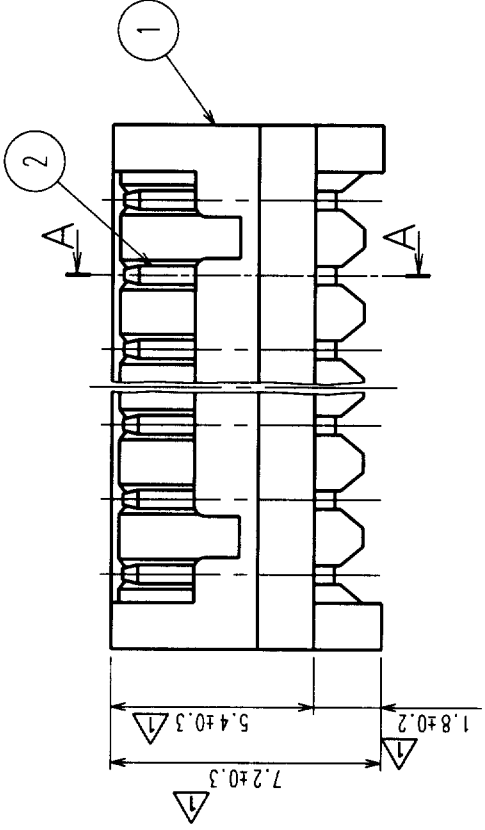
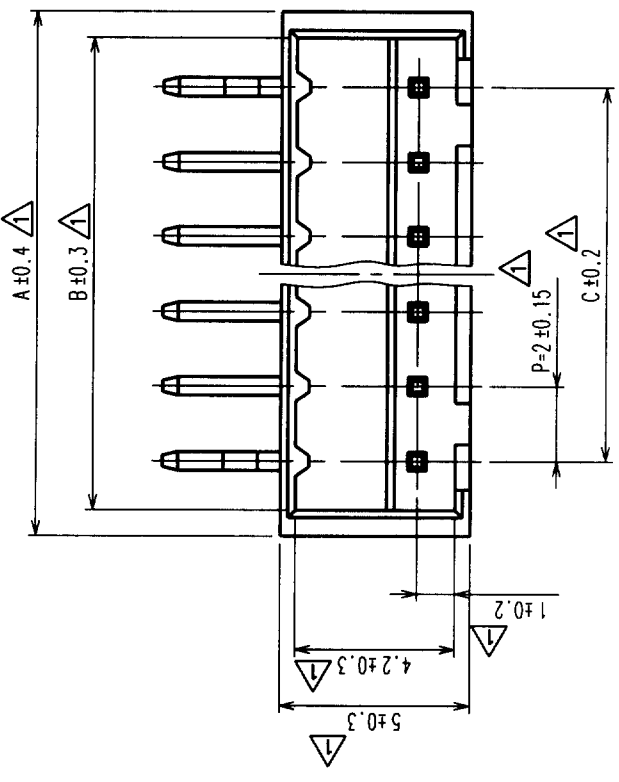
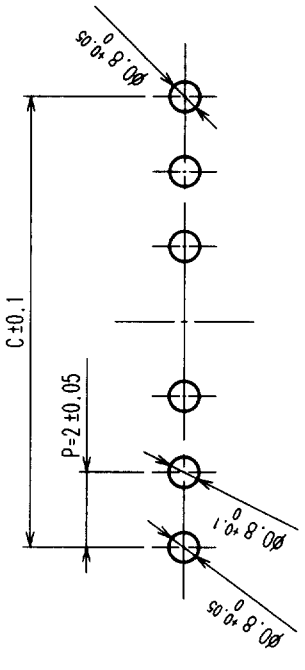


COUNT	DESCRIPTION OF REVISIONS	BY	CHKD	DATE	COUNT	DESCRIPTION OF REVISIONS	BY	CHKD	DATE
16	RE-H-03128(C)	S.H	K.A	97.5.31					



RECOMMENDED PATTERN



HRA NO.	PART NO.	NUMBER OF CONTACT	A	B	C
CL543-0179-4	DF3A-2P-2DS	2	6.0	4.6	2.0
CL543-0180-3	DF3A-3P-2DS	3	8.0	6.6	4.0
CL543-0181-6	DF3A-4P-2DS	4	10.0	8.6	6.0
CL543-0182-9	DF3A-5P-2DS	5	12.0	10.6	8.0
CL543-0183-1	DF3A-6P-2DS	6	14.0	12.6	10.0
CL543-0184-4	DF3A-7P-2DS	7	16.0	14.6	12.0
CL543-0185-7	DF3A-8P-2DS	8	18.0	16.6	14.0
CL543-0186-0	DF3A-9P-2DS	9	20.0	18.6	16.0
CL543-0187-2	DF3A-10P-2DS	10	22.0	20.6	18.0
CL543-0188-5	DF3A-11P-2DS	11	24.0	22.6	20.0
CL543-0189-8	DF3A-12P-2DS	12	26.0	24.6	22.0
CL543-0190-7	DF3A-13P-2DS	13	28.0	26.6	24.0
CL543-0191-0	DF3A-14P-2DS	14	30.0	28.6	26.0
CL543-0192-2	DF3A-15P-2DS	15	32.0	30.6	28.0

NOTES: No.1 AND \* CONTACT SHALL BE PROCESSED KINK. (\*=2-15)

NO.	MATERIAL	FINISH, REMARKS	NO.	MATERIAL	TIN PLATING
1	POLYAMIDE	BLACK, UL94V-0	2	BRASS	

CODE NO. (OLD)	DRAWN	DESIGNED	CHECKED	APPROVED	RELEASED
	H. Igarashi	H. Igarashi	T. Ota	M. Yamamoto	
	'94. 3. 29	'94. 3. 29	'94. 3. 29	'94. 3. 29	

DRAWING NO.	PART NO.
EDC3-160110-01	DF3A-*P-2DS

SCALE	UNITS	ITEM
5 : 1		

CODE NO.
CL543

TO

## X-ON Electronics

Largest Supplier of Electrical and Electronic Components

*Click to view similar products for [Headers & Wire Housings](#) category:*

*Click to view products by [Hirose](#) manufacturer:*

Other Similar products are found below :

[892-18-020-10-001101](#) [58102-G61-06LF](#) [582553-1](#) [0009485154](#) [009176003701906](#) [0050291907](#) [LY20-4P-DT1-P1E-BR](#) [02.125.8002.8](#)  
[609-3404](#) [61062-3](#) [622-0430](#) [622-3653LF](#) [63453-116](#) [636-1030](#) [636-1427](#) [636-3427](#) [636-4007](#) [641938-9](#) [641991-4](#) [644827-2](#) [65817-010LF](#)  
[65817-015LF](#) [65863-015LF](#) [66207-023LF](#) [67095-007LF](#) [67601157](#) [68648-049](#) [70.362.1628.0](#) [70-4210](#) [70-4226B](#) [70-4853B](#) [707-5020](#) [707-5028](#) [71.350.2428.0](#) [71918-208LF](#) [71961-016LF](#) [733-134](#) [733-162](#) [754199-000](#) [760-3052](#) [787-8014-00](#) [79531-3000](#) [FCN-360C032-B](#) [FCN-367T-T012/H](#) [FCN-723D010/2](#) [80.063.4001.1](#) [800-90-001-10-001000](#) [800-90-010-10-002000](#) [801-43-002-10-013000](#) [801-43-006-10-002000](#)