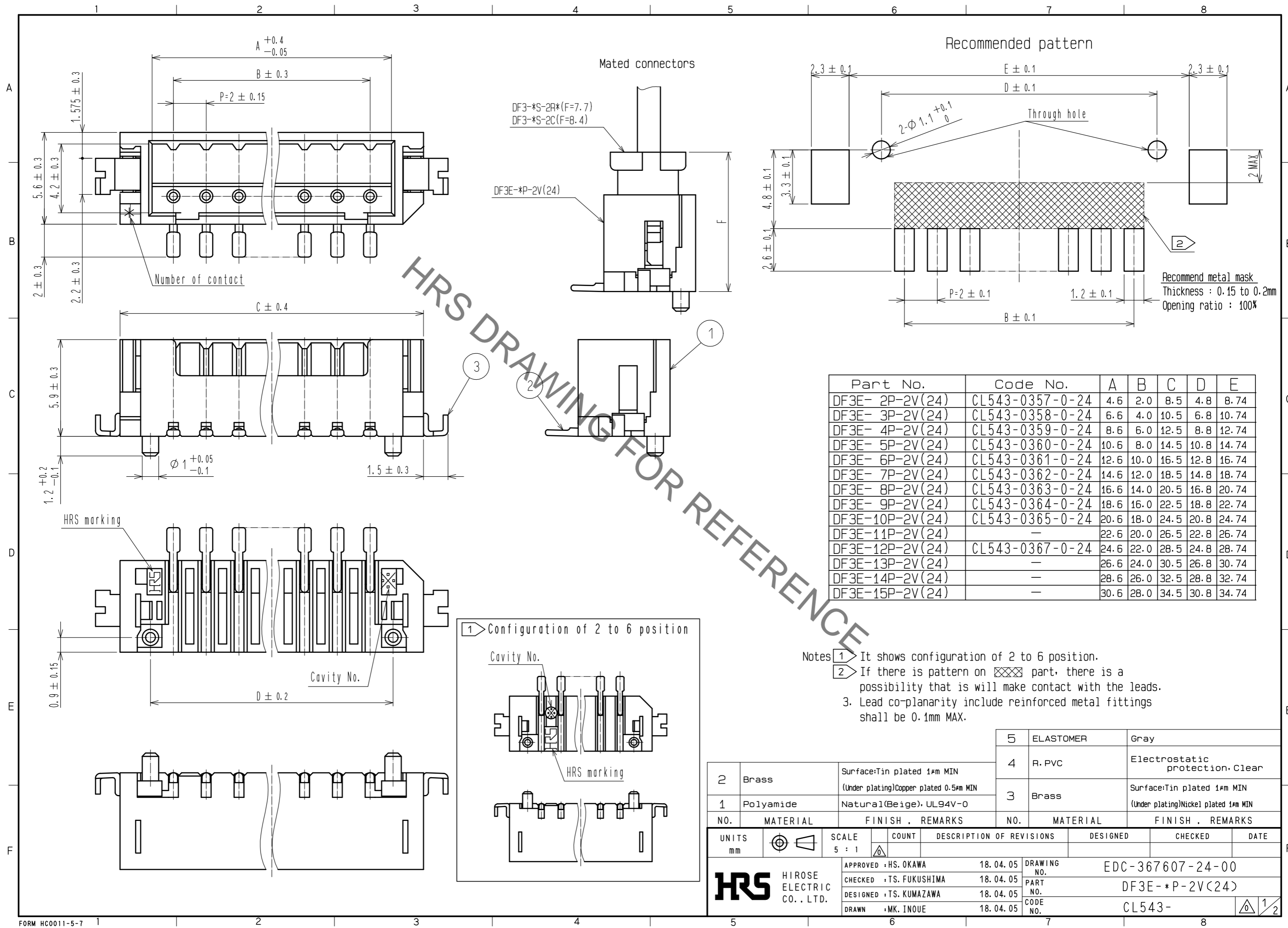


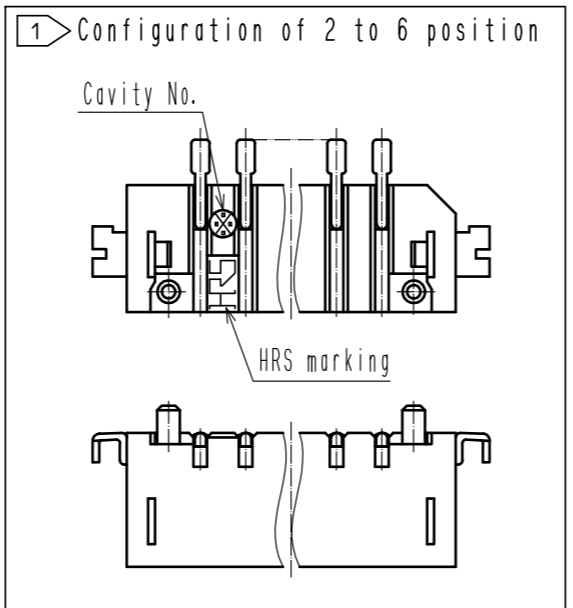
Aug.1.2021 Copyright 2021 HIROSE ELECTRIC CO., LTD. All Rights Reserved.
In case of consideration for using Automotive equipment / device which demand high reliability, kindly contact our sales window correspondents.



HRS DRAWING FOR REFERENCE

Part No.	Code No.	A	B	C	D	E
DF3E- 2P-2V(24)	CL543-0357-0-24	4.6	2.0	8.5	4.8	8.74
DF3E- 3P-2V(24)	CL543-0358-0-24	6.6	4.0	10.5	6.8	10.74
DF3E- 4P-2V(24)	CL543-0359-0-24	8.6	6.0	12.5	8.8	12.74
DF3E- 5P-2V(24)	CL543-0360-0-24	10.6	8.0	14.5	10.8	14.74
DF3E- 6P-2V(24)	CL543-0361-0-24	12.6	10.0	16.5	12.8	16.74
DF3E- 7P-2V(24)	CL543-0362-0-24	14.6	12.0	18.5	14.8	18.74
DF3E- 8P-2V(24)	CL543-0363-0-24	16.6	14.0	20.5	16.8	20.74
DF3E- 9P-2V(24)	CL543-0364-0-24	18.6	16.0	22.5	18.8	22.74
DF3E-10P-2V(24)	CL543-0365-0-24	20.6	18.0	24.5	20.8	24.74
DF3E-11P-2V(24)	—	22.6	20.0	26.5	22.8	26.74
DF3E-12P-2V(24)	CL543-0367-0-24	24.6	22.0	28.5	24.8	28.74
DF3E-13P-2V(24)	—	26.6	24.0	30.5	26.8	30.74
DF3E-14P-2V(24)	—	28.6	26.0	32.5	28.8	32.74
DF3E-15P-2V(24)	—	30.6	28.0	34.5	30.8	34.74

- Notes
- It shows configuration of 2 to 6 position.
 - If there is pattern on part, there is a possibility that it will make contact with the leads.
 - Lead co-planarity include reinforced metal fittings shall be 0.1mm MAX.



NO.	MATERIAL	FINISH .	REMARKS	NO.	MATERIAL	FINISH .	REMARKS
2	Brass	Surface: Tin plated 1μm MIN (Under plating) Copper plated 0.5μm MIN		5	ELASTOMER		Gray
1	Polyamide	Natural(Beige), UL94V-0		4	R. PVC		Electrostatic protection, Clear
				3	Brass	Surface: Tin plated 1μm MIN (Under plating) Nickel plated 1μm MIN	

UNITS	SCALE	COUNT	DESCRIPTION OF REVISIONS	DESIGNED	CHECKED	DATE
mm	5 : 1	△				

APPROVED : HS. OKAWA	18.04.05	DRAWING NO.	EDC-367607-24-00
CHECKED : TS. FUKUSHIMA	18.04.05	PART NO.	DF3E- * P- 2V(24)
DESIGNED : TS. KUMAZAWA	18.04.05	CODE NO.	CL543-
DRAWN : MK. INOUE	18.04.05		

Aug.1.2021 Copyright 2021 HIROSE ELECTRIC CO., LTD. All Rights Reserved.
In case of consideration for using Automotive equipment / device which demand high reliability, kindly contact our sales window correspondents.

1 2 3 4 5 6 7 8

A A

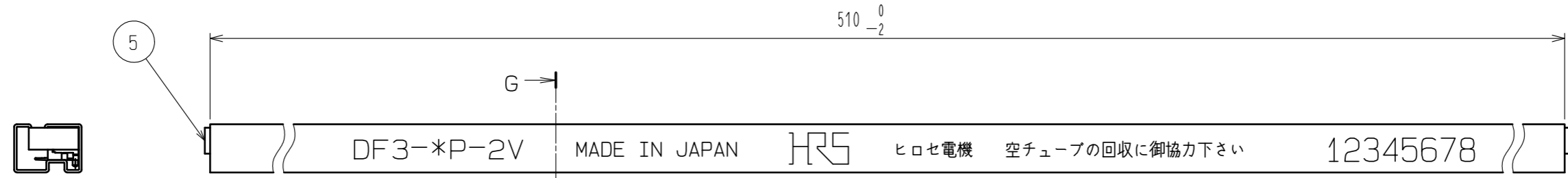
B B

C C

D D

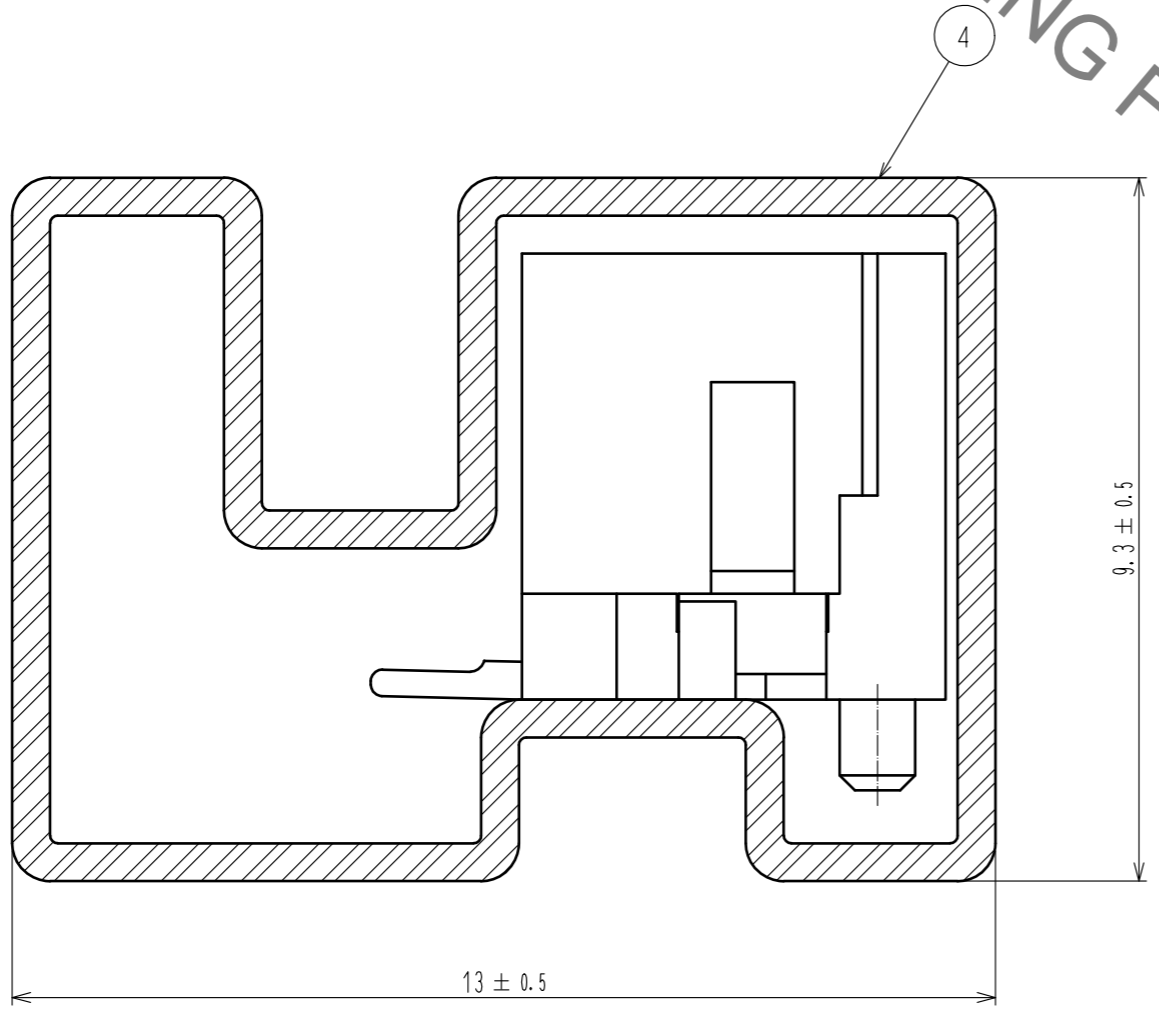
E E

F F



- Notes 4. Number of connectors per a magazine case shall be in accordance with the list.
5. These connectors shall be on saled in accordance with the multiple quantity on the list.

G-G (10:1)



Part No.	Code No.	Number of connectors
DF3E- 2P-2V(24)	CL543-0357-0-24	41
DF3E- 3P-2V(24)	CL543-0358-0-24	34
DF3E- 4P-2V(24)	CL543-0359-0-24	30
DF3E- 5P-2V(24)	CL543-0360-0-24	26
DF3E- 6P-2V(24)	CL543-0361-0-24	23
DF3E- 7P-2V(24)	CL543-0362-0-24	21
DF3E- 8P-2V(24)	CL543-0363-0-24	19
DF3E- 9P-2V(24)	CL543-0364-0-24	18
DF3E-10P-2V(24)	CL543-0365-0-24	17
DF3E-11P-2V(24)	-	15
DF3E-12P-2V(24)	CL543-0367-0-24	14
DF3E-13P-2V(24)	-	14
DF3E-14P-2V(24)	-	13
DF3E-15P-2V(24)	-	12

HRS DRAWING FOR REFERENCE

HRS	DRAWING NO.	EDC-367607-24-00	
	PART NO.	DF3E-*P-2V(24)	
	CODE NO.	CL543-	2/2

X-ON Electronics

Largest Supplier of Electrical and Electronic Components

Click to view similar products for [Headers & Wire Housings](#) category:

Click to view products by [Hirose](#) manufacturer:

Other Similar products are found below :

[892-18-020-10-001101](#) [58102-G61-06LF](#) [582553-1](#) [0009485154](#) [009176003701906](#) [0050291907](#) [LY20-4P-DT1-P1E-BR](#) [02.125.8002.8](#)
[609-3404](#) [61062-3](#) [622-0430](#) [622-3653LF](#) [63453-116](#) [636-1030](#) [636-1427](#) [636-3427](#) [636-4007](#) [641938-9](#) [641991-4](#) [644827-2](#) [65817-010LF](#)
[65817-015LF](#) [65863-015LF](#) [66207-023LF](#) [67095-007LF](#) [67601157](#) [68648-049](#) [70.362.1628.0](#) [70-4210](#) [70-4226B](#) [70-4853B](#) [707-5020](#) [707-](#)
[5028](#) [71.350.2428.0](#) [71918-208LF](#) [71961-016LF](#) [733-134](#) [733-162](#) [754199-000](#) [760-3052](#) [787-8014-00](#) [79531-3000](#) [FCN-360C032-B](#) [FCN-](#)
[367T-T012/H](#) [FCN-723D010/2](#) [80.063.4001.1](#) [800-90-001-10-001000](#) [800-90-010-10-002000](#) [801-43-002-10-013000](#) [801-43-006-10-002000](#)