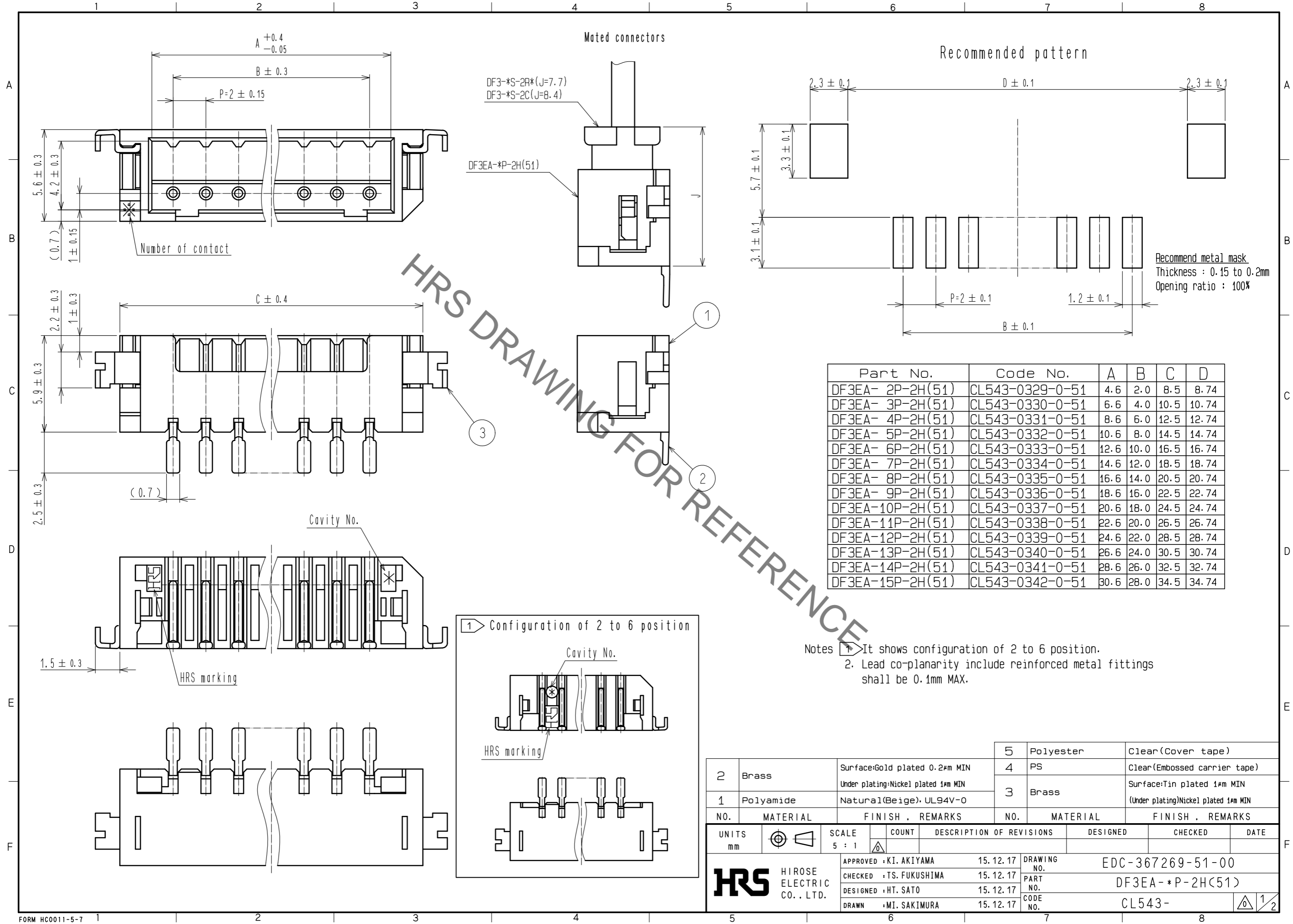


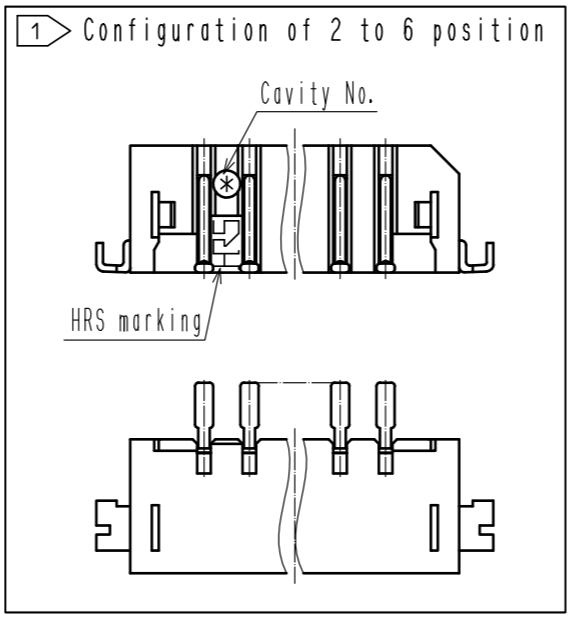
Aug.1.2021 Copyright 2021 HIROSE ELECTRIC CO., LTD. All Rights Reserved.
In case of consideration for using Automotive equipment / device which demand high reliability, kindly contact our sales window correspondents.



HRS DRAWING FOR REFERENCE

Part No.	Code No.	A	B	C	D
DF3EA- 2P-2H(51)	CL543-0329-0-51	4.6	2.0	8.5	8.74
DF3EA- 3P-2H(51)	CL543-0330-0-51	6.6	4.0	10.5	10.74
DF3EA- 4P-2H(51)	CL543-0331-0-51	8.6	6.0	12.5	12.74
DF3EA- 5P-2H(51)	CL543-0332-0-51	10.6	8.0	14.5	14.74
DF3EA- 6P-2H(51)	CL543-0333-0-51	12.6	10.0	16.5	16.74
DF3EA- 7P-2H(51)	CL543-0334-0-51	14.6	12.0	18.5	18.74
DF3EA- 8P-2H(51)	CL543-0335-0-51	16.6	14.0	20.5	20.74
DF3EA- 9P-2H(51)	CL543-0336-0-51	18.6	16.0	22.5	22.74
DF3EA-10P-2H(51)	CL543-0337-0-51	20.6	18.0	24.5	24.74
DF3EA-11P-2H(51)	CL543-0338-0-51	22.6	20.0	26.5	26.74
DF3EA-12P-2H(51)	CL543-0339-0-51	24.6	22.0	28.5	28.74
DF3EA-13P-2H(51)	CL543-0340-0-51	26.6	24.0	30.5	30.74
DF3EA-14P-2H(51)	CL543-0341-0-51	28.6	26.0	32.5	32.74
DF3EA-15P-2H(51)	CL543-0342-0-51	30.6	28.0	34.5	34.74

Notes
 1. It shows configuration of 2 to 6 position.
 2. Lead co-planarity include reinforced metal fittings shall be 0.1mm MAX.

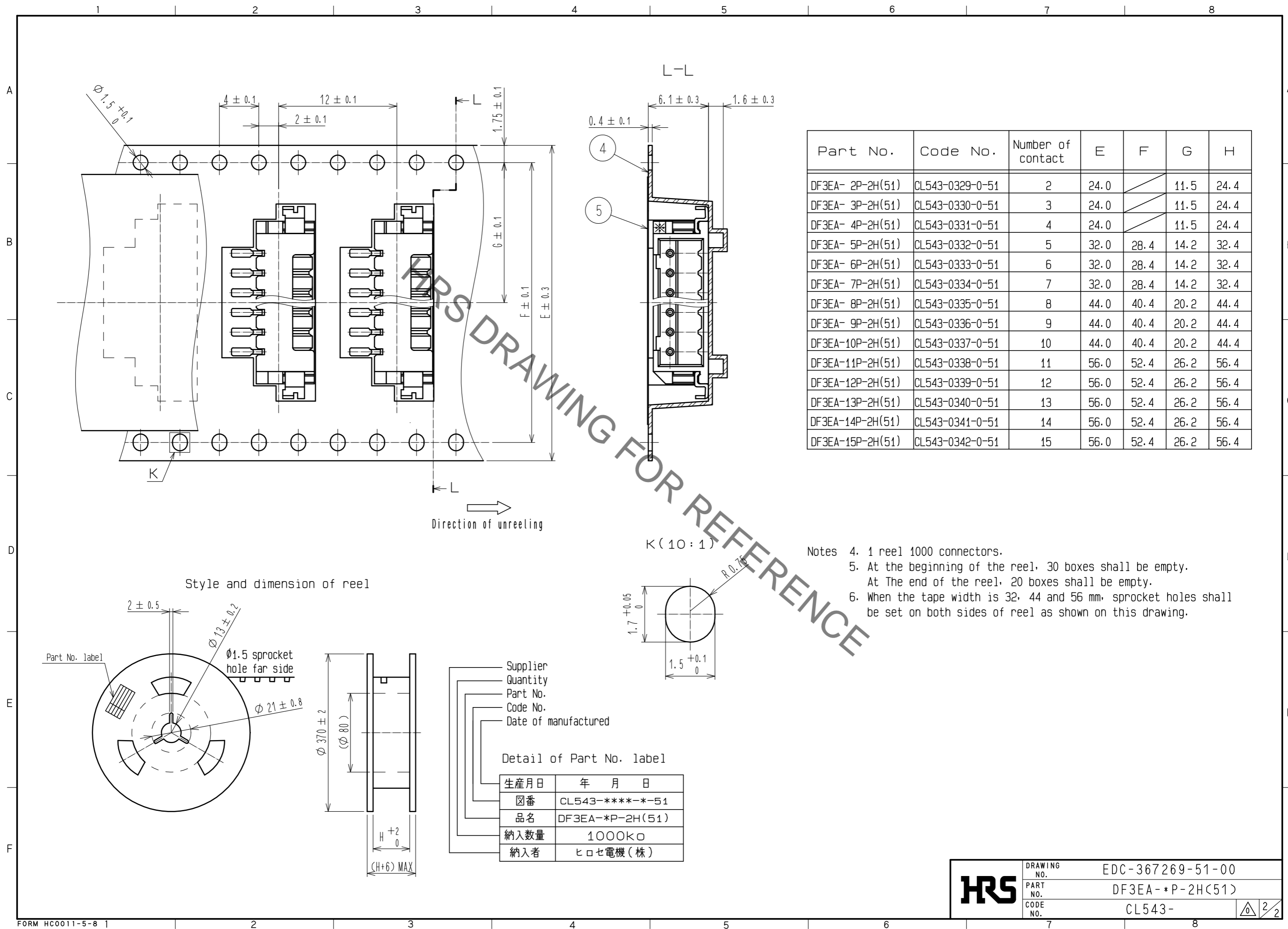


NO.	MATERIAL	FINISH .	REMARKS	NO.	MATERIAL	FINISH .	REMARKS
2	Brass	Surface:Gold plated 0.2μm MIN Under plating:Nickel plated 1μm MIN		5	Polyester		Clear(Cover tape)
1	Polyamide	Natural(Beige), UL94V-0		4	PS		Clear(Embossed carrier tape)
				3	Brass		Surface:Tin plated 1μm MIN (Under plating)Nickel plated 1μm MIN

UNITS	SCALE	COUNT	DESCRIPTION OF REVISIONS	DESIGNED	CHECKED	DATE
mm	5 : 1	△				

APPROVED : KI. AKIYAMA	15.12.17	DRAWING NO.	EDC-367269-51-00
CHECKED : TS. FUKUSHIMA	15.12.17	PART NO.	DF3EA-*P-2H(51)
DESIGNED : HT. SATO	15.12.17	CODE NO.	CL543-
DRAWN : MI. SAKIMURA	15.12.17		

Aug.1.2021 Copyright 2021 HIROSE ELECTRIC CO., LTD. All Rights Reserved.
In case of consideration for using Automotive equipment / device which demand high reliability, kindly contact our sales window correspondents.



HRS

DRAWING NO.	EDC-367269-51-00
PART NO.	DF3EA-*P-2H(51)
CODE NO.	CL543-

2/2

X-ON Electronics

Largest Supplier of Electrical and Electronic Components

Click to view similar products for [Headers & Wire Housings](#) category:

Click to view products by [Hirose](#) manufacturer:

Other Similar products are found below :

[892-18-020-10-001101](#) [58102-G61-06LF](#) [582553-1](#) [0009485154](#) [009176003701906](#) [0050291907](#) [LY20-4P-DT1-P1E-BR](#) [02.125.8002.8](#)
[609-3404](#) [61062-3](#) [622-0430](#) [622-3653LF](#) [63453-116](#) [636-1030](#) [636-1427](#) [636-3427](#) [636-4007](#) [641938-9](#) [641991-4](#) [644827-2](#) [65817-010LF](#)
[65817-015LF](#) [65863-015LF](#) [66207-023LF](#) [67095-007LF](#) [67601157](#) [68648-049](#) [70.362.1628.0](#) [70-4210](#) [70-4226B](#) [70-4853B](#) [707-5020](#) [707-5028](#) [71.350.2428.0](#) [71918-208LF](#) [71961-016LF](#) [733-134](#) [733-162](#) [754199-000](#) [760-3052](#) [787-8014-00](#) [79531-3000](#) [FCN-360C032-B](#) [FCN-367T-T012/H](#) [FCN-723D010/2](#) [80.063.4001.1](#) [800-90-001-10-001000](#) [800-90-010-10-002000](#) [801-43-002-10-013000](#) [801-43-006-10-002000](#)