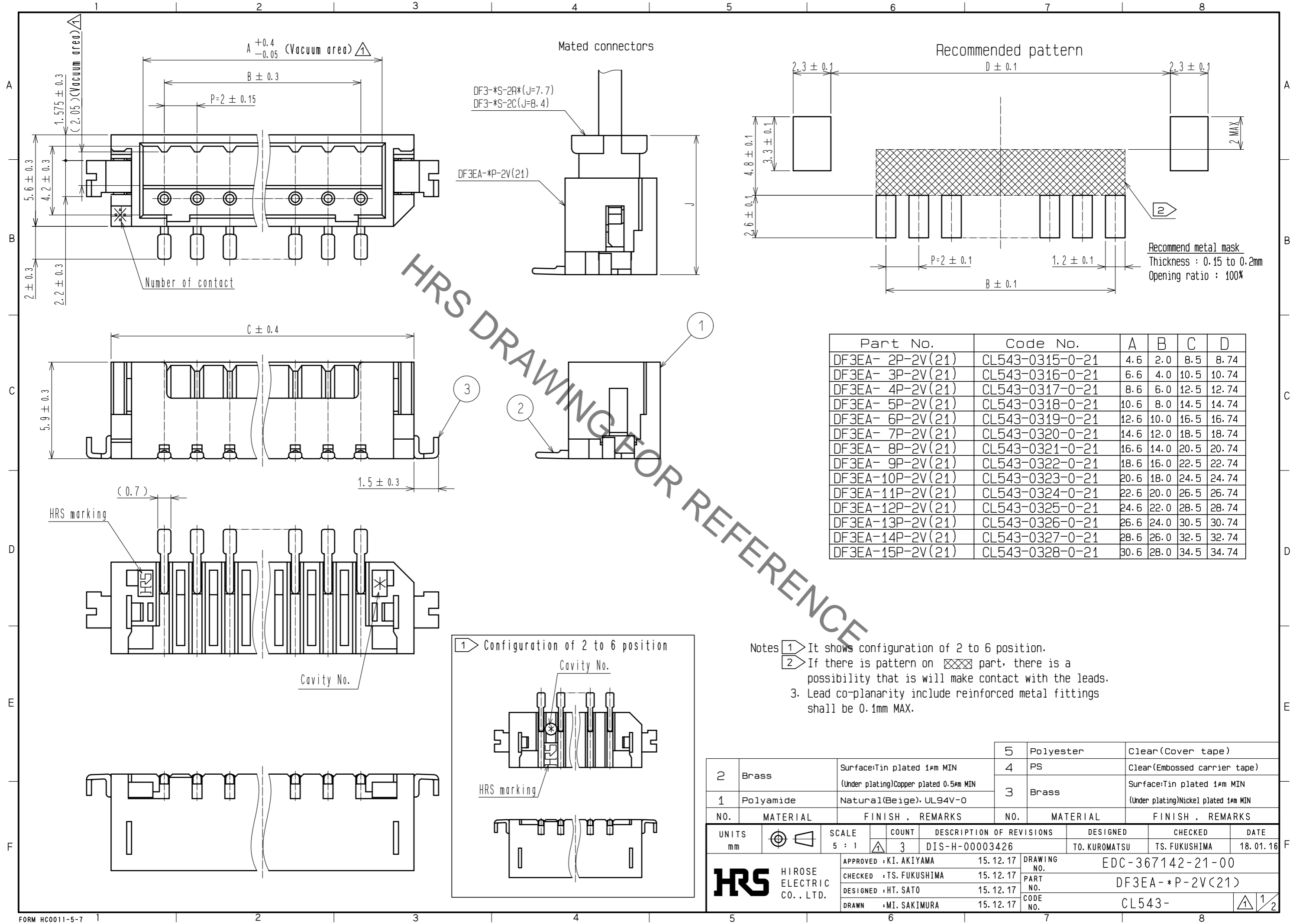


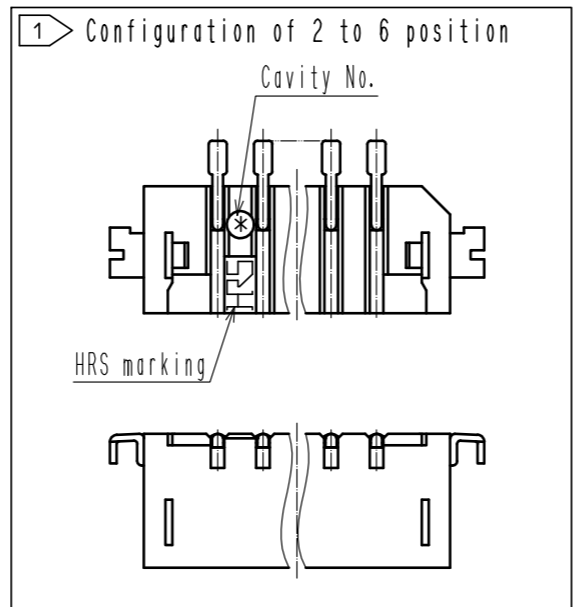
Aug.1.2021 Copyright 2021 HIROSE ELECTRIC CO., LTD. All Rights Reserved.  
In case of consideration for using Automotive equipment / device which demand high reliability, kindly contact our sales window correspondents.



HRS DRAWING FOR REFERENCE

Part No.	Code No.	A	B	C	D
DF3EA- 2P-2V(21)	CL543-0315-0-21	4.6	2.0	8.5	8.74
DF3EA- 3P-2V(21)	CL543-0316-0-21	6.6	4.0	10.5	10.74
DF3EA- 4P-2V(21)	CL543-0317-0-21	8.6	6.0	12.5	12.74
DF3EA- 5P-2V(21)	CL543-0318-0-21	10.6	8.0	14.5	14.74
DF3EA- 6P-2V(21)	CL543-0319-0-21	12.6	10.0	16.5	16.74
DF3EA- 7P-2V(21)	CL543-0320-0-21	14.6	12.0	18.5	18.74
DF3EA- 8P-2V(21)	CL543-0321-0-21	16.6	14.0	20.5	20.74
DF3EA- 9P-2V(21)	CL543-0322-0-21	18.6	16.0	22.5	22.74
DF3EA-10P-2V(21)	CL543-0323-0-21	20.6	18.0	24.5	24.74
DF3EA-11P-2V(21)	CL543-0324-0-21	22.6	20.0	26.5	26.74
DF3EA-12P-2V(21)	CL543-0325-0-21	24.6	22.0	28.5	28.74
DF3EA-13P-2V(21)	CL543-0326-0-21	26.6	24.0	30.5	30.74
DF3EA-14P-2V(21)	CL543-0327-0-21	28.6	26.0	32.5	32.74
DF3EA-15P-2V(21)	CL543-0328-0-21	30.6	28.0	34.5	34.74

- Notes
- 1 It shows configuration of 2 to 6 position.
  - 2 If there is pattern on part, there is a possibility that it will make contact with the leads.
  3. Lead co-planarity include reinforced metal fittings shall be 0.1mm MAX.



NO.	MATERIAL	FINISH	REMARKS	NO.	MATERIAL	FINISH	REMARKS
2	Brass	Surface: Tin plated 1μm MIN (Under plating) Copper plated 0.5μm MIN		5	Polyester		Clear (Cover tape)
1	Polyamide	Natural (Beige), UL94V-0		4	PS		Clear (Embossed carrier tape)
				3	Brass		Surface: Tin plated 1μm MIN (Under plating) Nickel plated 1μm MIN

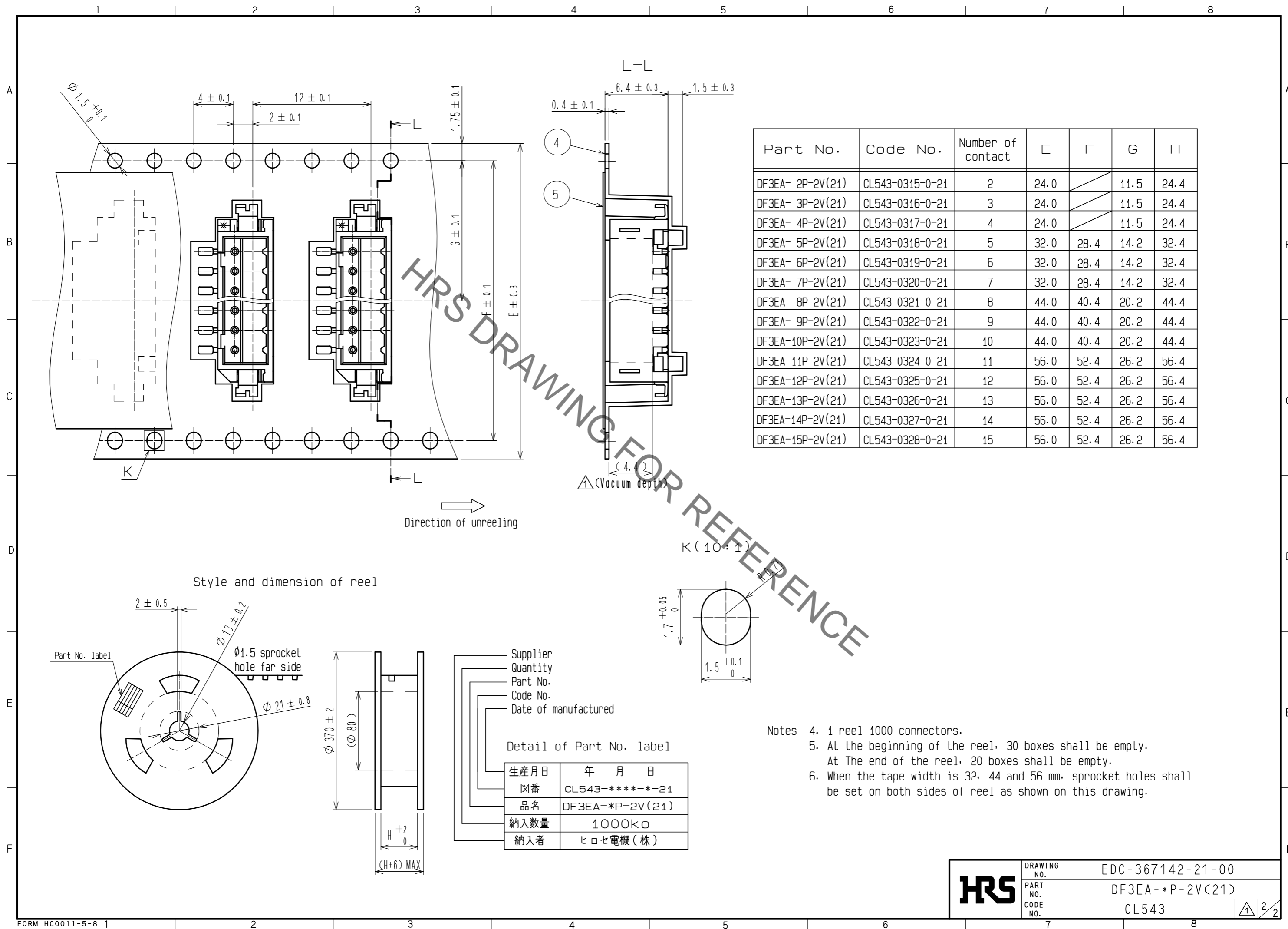
  

UNITS	SCALE	COUNT	DESCRIPTION OF REVISIONS	DESIGNED	CHECKED	DATE
mm	5 : 1	3	DIS-H-00003426	TO. KUROMATSU	TS. FUKUSHIMA	18.01.16

APPROVED	CHECKED	DESIGNED	DRAWN	DRAWING NO.	PART NO.	CODE NO.
• KI. AKIYAMA	• TS. FUKUSHIMA	• HT. SATO	• MI. SAKIMURA	EDC-367142-21-00	DF3EA-*P-2V(21)	CL543-

Aug.1.2021 Copyright 2021 HIROSE ELECTRIC CO., LTD. All Rights Reserved.  
 In case of consideration for using Automotive equipment / device which demand high reliability, kindly contact our sales window correspondents.



<b>HRS</b>	DRAWING NO.	EDC-367142-21-00
	PART NO.	DF3EA-*P-2V(21)
	CODE NO.	CL543-

2/2

## X-ON Electronics

Largest Supplier of Electrical and Electronic Components

*Click to view similar products for [Headers & Wire Housings](#) category:*

*Click to view products by [Hirose](#) manufacturer:*

Other Similar products are found below :

[892-18-020-10-001101](#) [58102-G61-06LF](#) [582553-1](#) [0009485154](#) [009176003701906](#) [0050291907](#) [LY20-4P-DT1-P1E-BR](#) [02.125.8002.8](#)  
[609-3404](#) [61062-3](#) [622-0430](#) [622-3653LF](#) [63453-116](#) [636-1030](#) [636-1427](#) [636-3427](#) [636-4007](#) [641938-9](#) [641991-4](#) [644827-2](#) [65817-010LF](#)  
[65817-015LF](#) [65863-015LF](#) [66207-023LF](#) [67095-007LF](#) [67601157](#) [68648-049](#) [70.362.1628.0](#) [70-4210](#) [70-4226B](#) [70-4853B](#) [707-5020](#) [707-5028](#) [71.350.2428.0](#) [71918-208LF](#) [71961-016LF](#) [733-134](#) [733-162](#) [754199-000](#) [760-3052](#) [787-8014-00](#) [79531-3000](#) [FCN-360C032-B](#) [FCN-367T-T012/H](#) [FCN-723D010/2](#) [80.063.4001.1](#) [800-90-001-10-001000](#) [800-90-010-10-002000](#) [801-43-002-10-013000](#) [801-43-006-10-002000](#)