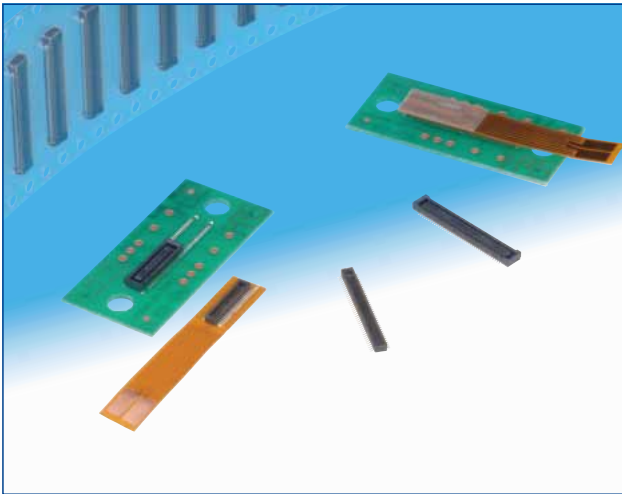
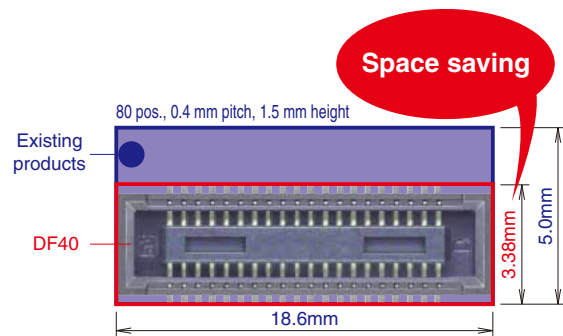


0.4 mm Pitch, 1.5 to 4.0 mm Height, Board-to-Board and Board-to-FPC Connectors

DF40 Series



Space saving



■ Features

1. High density mounting

Space saving design that has a minimum connector width, yet still retains a sufficient vacuum area for easy pick-and-place mounting
Minimum width: 3.38 mm

2. Multiple stack height options

In addition to its space saving design, several stack heights are available and add versatility to any application. Stack heights: 1.5 mm, 2.0 mm, 2.5 mm, 3.0 mm, 3.5 mm, and 4.0 mm.

3. High contact reliability

Despite its small stature and low profile, the contacts deliver strong contact forces and an effective mating length of 0.45 mm on the 1.5 mm stacking height. This connector utilizes a locking system that prevents accidental unmating issues and emits a clear tactile click to ensure that mating has been completed.

4. Excellent self-aligning range

The use of guide ribs allows 0.33 mm of self-alignment on this connector.

5. Reinforced structure with shock absorbing ribs

Both sides of the connector have been reinforced with the addition of shock absorbing ribs.

6. Solder wicking prevention

Nickel-plated barriers were added to protect the contact areas from potential solder wicking.

7. Contamination resistant design

When mated, the connector's design covers the contacts which help to keep dust and other debris away from the contacts. The SMT leads are kept very close to the connector housing which also helps to prevent shorts caused by debris on the exposed contacts

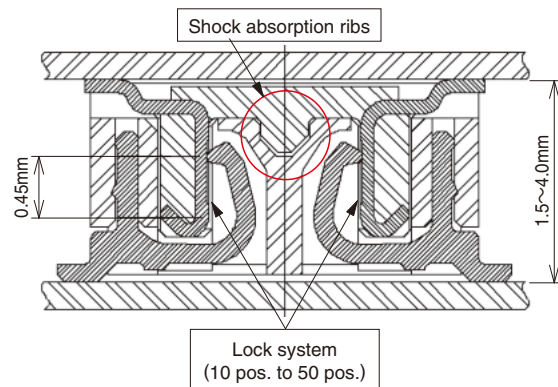
8. RoHS compliant

Environment friendly and does not use RoHS specified prohibited materials. All materials and substances used to produce these parts comply with the RoHS standards.

9. High speed signal with noise prevention

The shielded type can support high speed signal transmissions with noise prevention.

High contact reliability - effective mating length 0.45 mm



Stacking height variations

Standard type

Stacking height	1.5 mm	2.0 mm	2.5 mm	3.0 mm	3.5 mm	4.0 mm
No. of Contact	10	○	—	○	—	—
	12	△	○	—	—	—
	20	○	○	○	—	○
	24	○	○	—	—	—
	30	○	○	○	○	○
	34	○	—	—	—	—
	40	○	○	○	—	○
	44	—	○	—	○	—
	50	○	○	○	○	○
	60	○	○	○	○	○
	70	○	○	—	○	—
	80	○	○	—	○	○
90	○	—	—	○	—	
100	○	—	—	○	—	

△ : Products under development

Shielded type

Stacking height	1.5 mm	3.0 mm
No. of Contacts	30	—
	48	○
	70	○

Product Specifications

Ratings	Rated Current 0.3A	Operating Temperature Range -35 ~ 85°C (Note 1)	Storage Temperature Range -10 ~ 60°C (Note 2)
	Rated Voltage AC,DC 30V	Operating Humidity Range 20 ~ 80%	Storage Humidity Range 40 ~ 70% (Note 2)

Items	Specifications	Conditions
1. Insulation Resistance	Minimum of 50 MΩ	Measured with DC 100 V
2. Withstanding Voltage	No flashover or breakdown	Apply AC 100 V for 1 minute
3. Contact Resistance	Maximum of 90 mΩ	Measured with AC 20 mV, 1 kHz and 1 mA
4. Vibration Resistance	No electrical discontinuity of 1μs or greater	Frequency 10-55 Hz, half amplitude 0.75 mm, 3 directions for 2 hours
5. Humidity Resistance	Contact resistance Maximum of 90 mΩ Insulation resistance Minimum of 25 mΩ	Left at temperature 40 ± 2°C, humidity 90 to 95%, 96 hours
6. Temperature Cycles	Contact resistance Maximum of 90 mΩ Insulation resistance Minimum of 50 mΩ	(-55°C: 30 minutes → 5~35°C: 10 minutes → 85°C: 30 minutes → 5~35°C: 10 minutes) 5 cycles
7. Durability	Contact Resistance: Maximum of 90 mΩ	30 mating cycles
8. Soldering Heat Resistance	Should be no melting of resin parts that affects its performance	Reflow: according to the Recommended Temperature Profile Hand solder: Soldering iron temperature 350°C, no more than 3 seconds.

Note 1: Includes temperature rise caused by current flow.

Note 2: The term "storage" here refers to products stored for a long period prior to board mounting and use. The operating temperature and humidity range covers the non-energized condition of connectors after board mounting and the temporary storage conditions during transportation, etc.

Materials (Standard, non shielded type)

Product	Component	Materials	Finish	UL Regulation
Receptacle	Insulator	LCP	Black	UL94V-0
	Contact	Phosphor bronze	Gold plating	————
Header	Insulator	LCP	Black	UL94V-0
	Contact	Phosphor bronze	Gold plating	————

Materials (Shielded type)

Product	Component	Materials	Finish	UL Regulation
Receptacle	Insulator	LCP	Black	UL94V-0
	Contact	Phosphor bronze	Gold plating	————
	Shield plate	Phosphor bronze	Gold plating	————
Header	Insulator	LCP	Black	UL94V-0
	Contact	Phosphor bronze	Gold plating	————
	Reinforcing metal fitting	Phosphor bronze	Gold plating	————

Product Number Structure (Standard, non-shielded type)

Refer to this page when determining product specifications by model types. Please place orders with part numbers listed in this catalog. The characteristics and specifications of the product described in this catalog are reference values. Please make sure to check the latest delivery specifications at the time of product use.

●Receptacle

DF40 **#** - **(**)** - ***** **DS** - **0.4** **V** **(**)**

① ② ③ ④ ⑤ ⑥ ⑦ ⑧

① Series Name: DF40	③ Stacking height <table border="1"> <thead> <tr> <th>Display</th> <th>Stacking height</th> </tr> </thead> <tbody> <tr> <td>None</td> <td>1.5mm</td> </tr> <tr> <td>2.0</td> <td>2.0mm</td> </tr> <tr> <td>2.5</td> <td>2.5mm</td> </tr> <tr> <td>3.0</td> <td>3.0mm</td> </tr> <tr> <td>3.5</td> <td>3.5mm</td> </tr> <tr> <td>4.0</td> <td>4.0mm</td> </tr> </tbody> </table>	Display	Stacking height	None	1.5mm	2.0	2.0mm	2.5	2.5mm	3.0	3.0mm	3.5	3.5mm	4.0	4.0mm	④ No. of Contacts
Display		Stacking height														
None	1.5mm															
2.0	2.0mm															
2.5	2.5mm															
3.0	3.0mm															
3.5	3.5mm															
4.0	4.0mm															
② Style C: Without reinforcing metal fitting HC: Without reinforcing metal fitting (The H denotes a stacking height 2.5 mm or above)		⑤ Connector Type DS: Double row receptacle														
		⑥ Contact Pitch:0.4mm														
		⑦ Mating direction Shape V: Vertical SMT														
		⑧ Packaging Type (51) Embossed tape packaging														

●Header

DF40 **#** - ***** **DP** - **0.4** **V** **(**)**

① ② ③ ④ ⑤ ⑥ ⑦

① Series Name: DF40	③ No. of Contacts	⑤ Contact Pitch: 0.4 mm
② Style C: Without reinforcing metal fitting	④ Connector Type DP: Double row pin header	⑥ Mating direction V: Vertical SMT
		⑦ Packaging Type (51) Embossed tape packaging

Product Number Structure (Shielded type)

Refer to this page when determining product specifications by model types. Please place orders with part numbers listed in this catalog. The characteristics and specifications of the product described in this catalog are reference values. Please make sure to check the latest delivery specifications at the time of product use.

●Receptacle

DF40 **GB** - **(**)** - ***** **DS** - **0.4** **V** **(**)**

① ② ③ ④ ⑤ ⑥ ⑦ ⑧

① Series Name: DF40	③ Stacking height <table border="1"> <thead> <tr> <th>Display</th> <th>Stacking height</th> </tr> </thead> <tbody> <tr> <td>1.5</td> <td>1.5mm</td> </tr> <tr> <td>3.0</td> <td>3.0mm</td> </tr> </tbody> </table>	Display	Stacking height	1.5	1.5mm	3.0	3.0mm	⑤ Connector Type DS: Double row receptacle
Display		Stacking height						
1.5	1.5mm							
3.0	3.0mm							
② Style GB: With shield		⑥ Contact Pitch: 0.4 mm						
	④ No. of Contacts	⑦ Mating direction V: Vertical SMT						
		⑧ Packaging Type (51) Embossed tape packaging						

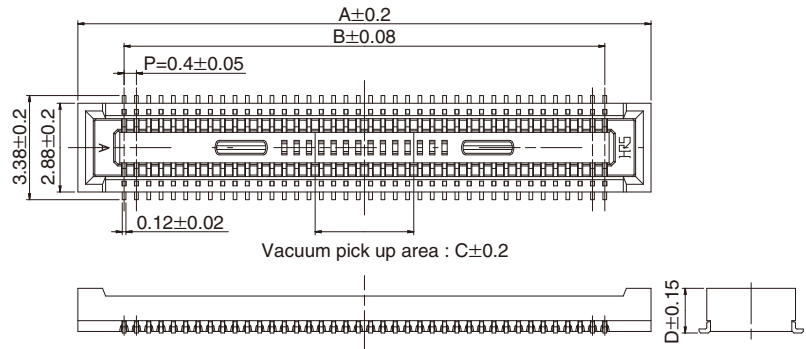
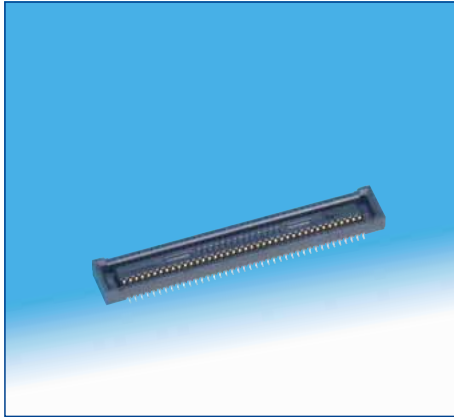
●Header

DF40 **GB** - ***** **DP** - **0.4** **V** **(**)**

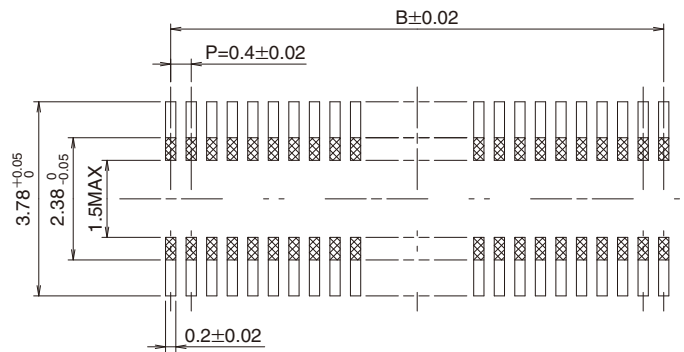
① ② ③ ④ ⑤ ⑥ ⑦

① Series Name: DF40	③ No. of Contacts	⑤ Contact Pitch: 0.4 mm
② Style GB: With reinforcing metal fitting (For use with shielded product)	④ Connector Type DP: Double row pin header	⑥ Mating direction V: Vertical SMT
		⑦ Packaging Type (51) Embossed tape packaging

■Receptacle (Stacking height 1.5 mm)



◆Recommended PCB layout



■Stacking height 1.5 mm

【Specification No.】
(51): Embossed package 5,000 pieces per reel

							Unit: mm	
Part No.	HRS No.	No. of Contacts	A	B	C	D	RoHS	
DF40C-10DS-0.4V(51)	CL684-4036-2-51	10	4.6	1.6	1.0	1.45	○	
DF40C-12DS-0.4V(51)	Under development	12	5.0	2.0	1.0	1.45		
DF40C-20DS-0.4V(51)	CL684-4005-9-51	20	6.6	3.6	1.0	1.45		
DF40C-24DS-0.4V(51)	CL684-4006-1-51	24	7.4	4.4	1.2	1.45		
DF40C-30DS-0.4V(51)	CL684-4007-4-51	30	8.6	5.6	1.5	1.45		
DF40C-34DS-0.4V(51)	CL684-4023-0-51	34	9.4	6.4	2.3	1.45		
DF40C-40DS-0.4V(51)	CL684-4008-7-51	40	10.6	7.6	3.2	1.45		
DF40C-50DS-0.4V(51)	CL684-4009-0-51	50	12.6	9.6	3.2	1.45		
DF40C-60DS-0.4V(51)	CL684-4004-6-51	60	14.6	11.6	3.2	1.45		
DF40C-70DS-0.4V(51)	CL684-4016-5-51	70	16.6	13.6	3.2	1.45		
DF40C-80DS-0.4V(51)	CL684-4002-0-51	80	18.6	15.6	3.2	1.45		
DF40C-90DS-0.4V(51)	CL684-4124-8-51	90	20.6	17.6	3.2	1.45		
DF40C-100DS-0.4V(51)	CL684-4033-4-51	100	22.6	19.6	3.2	1.45		

(Note 1) Please place orders by full reel quantities.

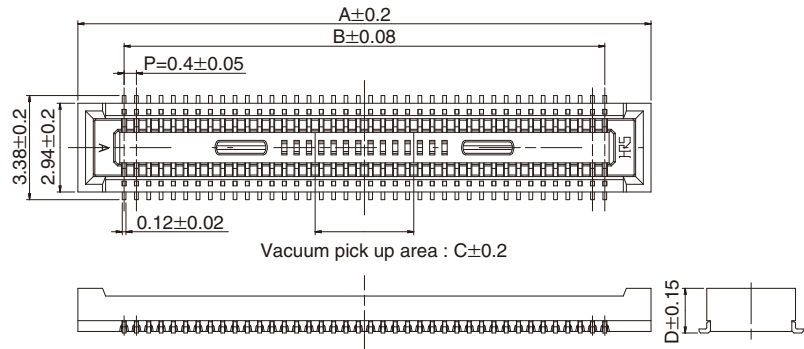
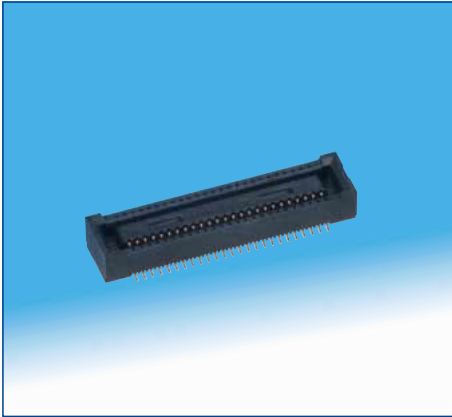
(Note 2) The surface of the 60-100 pos. parts have a small, concave section that will not affect the vacuum pick up operation.

(Note 3) PCB layout prohibited area.

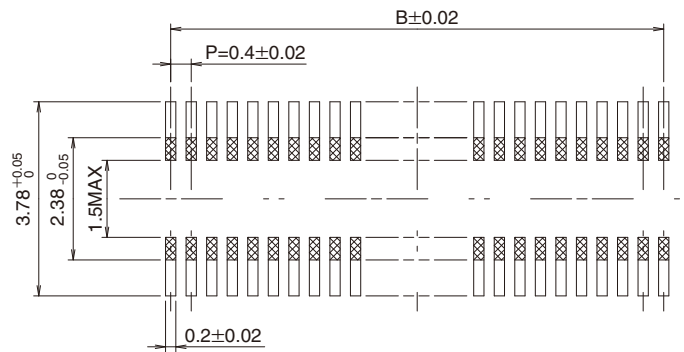
(Note 4) This connector is NOT polarized

(Note 5) Some parts are available with metal fittings. Please contact a Hirose sales representative for more information.

■ Receptacle (Stacking height 2.0 mm)



◆ Recommended PCB layout



■ Stacking height 2.0 mm

【Specification No.】

(51): Embossed package 4,000 pieces per reel

Unit: mm

Part No.	HRS No.	No. of Contacts	A	B	C	D	RoHS
DF40C(2.0)-12DS-0.4V(51)	CL684-4148-6-51	12	5.0	2.0	1.0	1.95	○
DF40C(2.0)-20DS-0.4V(51)	CL684-4040-0-51	20	6.6	3.6	1.0	1.95	
DF40C(2.0)-24DS-0.4V(51)	CL684-4021-2-51	24	7.4	4.4	1.2	1.95	
DF40C(2.0)-30DS-0.4V(51)	CL684-4058-5-51	30	8.6	5.6	1.5	1.95	
DF40C(2.0)-40DS-0.4V(51)	CL684-4042-5-51	40	10.6	7.6	3.2	1.95	
DF40C(2.0)-50DS-0.4V(51)	CL684-4091-0-51	50	12.6	9.6	3.2	1.95	
DF40C(2.0)-60DS-0.4V(51)	CL684-4034-7-51	60	14.6	11.6	3.2	1.95	
DF40C(2.0)-70DS-0.4V(51)	CL684-4147-3-51	70	16.6	13.6	3.2	1.95	
DF40C(2.0)-80DS-0.4V(51)	CL684-4132-6-51	80	18.6	15.6	3.2	1.95	

(Note 1) Please place orders by full reel

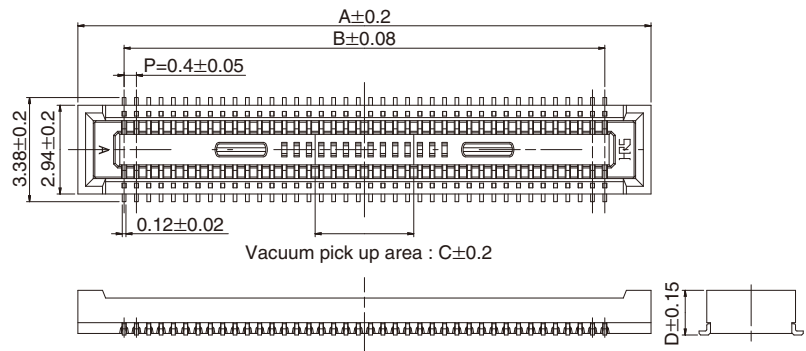
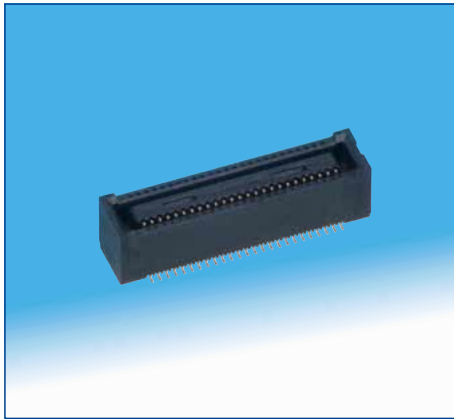
(Note 2) The surface of the 60-100 pos. parts have a small, concave section that will not affect the vacuum pick up operation.

(Note 3) PCB layout prohibited area.

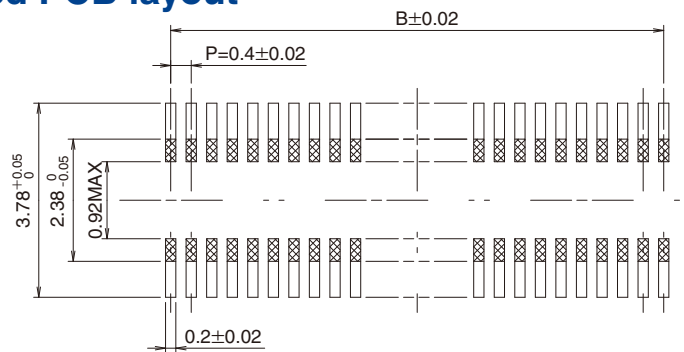
(Note 4) This connector is NOT polarized

(Note 5) Some parts are available with metal fittings. Please contact a Hirose sales representative for more information.

■ Receptacle (Stacking height 2.5 mm to 4.0 mm)



◆ Recommended PCB layout



■ Stacking height 2.5 mm

【Specification No.】
(51): Embossed package 3,000 pieces per reel

Unit: mm

Part No.	HRS No.	No. of Contacts	A	B	C	D	RoHS
DF40HC(2.5)-10DS-0.4V(51)	Under development	10	4.6	1.6	1.0	2.4	○
DF40HC(2.5)-20DS-0.4V(51)	CL684-4126-3-51	20	6.6	3.6	1.0	2.4	
DF40HC(2.5)-40DS-0.4V(51)	CL684-4112-9-51	40	10.6	7.6	3.2	2.4	
DF40HC(2.5)-50DS-0.4V(51)	CL684-4101-2-51	50	12.6	9.6	3.2	2.4	
DF40HC(2.5)-60DS-0.4V(51)	CL684-4085-8-51	60	14.6	11.6	3.2	2.4	

■ Stacking height 3.0 mm

【Specification No.】
(51): Embossed package 3,000 pieces per reel

Unit: mm

Part No.	HRS No.	No. of Contacts	A	B	C	D	RoHS
DF40HC(3.0)-30DS-0.4V(51)	CL684-4098-0-51	30	8.6	5.6	1.5	2.9	○
DF40HC(3.0)-44DS-0.4V(51)	CL684-4076-7-51	44	11.4	8.4	3.2	2.9	
DF40HC(3.0)-50DS-0.4V(51)	CL684-4099-2-51	50	12.6	9.6	3.2	2.9	
DF40HC(3.0)-60DS-0.4V(51)	CL684-4100-0-51	60	14.6	11.6	3.2	2.9	
DF40HC(3.0)-70DS-0.4V(51)	CL684-4138-2-51	70	16.6	13.6	3.2	2.9	
DF40HC(3.0)-80DS-0.4V(51)	CL684-4180-9-51	80	18.6	15.6	3.2	2.9	
DF40HC(3.0)-90DS-0.4V(51)	CL684-4161-4-51	90	20.6	17.6	3.2	2.9	
DF40HC(3.0)-100DS-0.4V(51)	CL684-4151-0-51	100	22.6	19.6	3.2	2.9	

(Note 1) Please place orders by full reel

(Note 2) The surface of the 60-100 pos. parts have a small, concave section that will not affect the vacuum pick up operation

(Note 3) PCB layout prohibited area.

(Note 4) This connector is NOT polarized.

(Note 5) Some parts are available with metal fittings. Please contact a Hirose sales representative for more information.

■ Stacking height 3.5 mm

【Specification No.】
(51): Embossed package 2,000 pieces per reel

Unit: mm

Part No.	HRS No.	No. of Contacts	A	B	C	D	RoHS
DF40HC(3.5)-20DS-0.4V(51)	CL684-4188-0-51	20	6.6	3.6	1.0	3.4	○
DF40HC(3.5)-30DS-0.4V(51)	CL684-4136-7-51	30	8.6	5.6	1.5	3.4	
DF40HC(3.5)-40DS-0.4V(51)	CL684-4209-9-51	40	10.6	7.6	3.2	3.4	
DF40HC(3.5)-50DS-0.4V(51)	CL684-4109-4-51	50	12.6	9.6	3.2	3.4	
DF40HC(3.5)-60DS-0.4V(51)	CL684-4102-5-51	60	14.6	11.6	3.2	3.4	
DF40HC(3.5)-80DS-0.4V(51)	CL684-4162-7-51	80	18.6	15.6	3.2	3.4	

■ Stacking height 4.0 mm


【Specification No.】
(51): Embossed package 2,000 pieces per reel

Unit: mm

Part No.	HRS No.	No. of Contacts	A	B	C	D	RoHS
DF40HC(4.0)-40DS-0.4V(51)	Under development	40	10.6	7.6	3.2	3.9	○
DF40HC(4.0)-50DS-0.4V(51)	Under development	50	12.6	9.6	3.2	3.9	
DF40HC(4.0)-60DS-0.4V(51)	CL684-4133-9-51	60	14.6	11.6	3.2	3.9	
DF40HC(4.0)-80DS-0.4V(51)	CL684-4140-4-51	80	18.6	15.6	3.2	3.9	
DF40HC(4.0)-90DS-0.4V(51)	CL684-4165-5-51	90	20.6	17.6	3.2	3.9	

(Note 1) Please place orders by full reel

(Note 2) The surface of the 60-100 pos. parts have a small, concave section that will not affect the vacuum pick up operation

(Note 3)  PCB layout prohibited area.

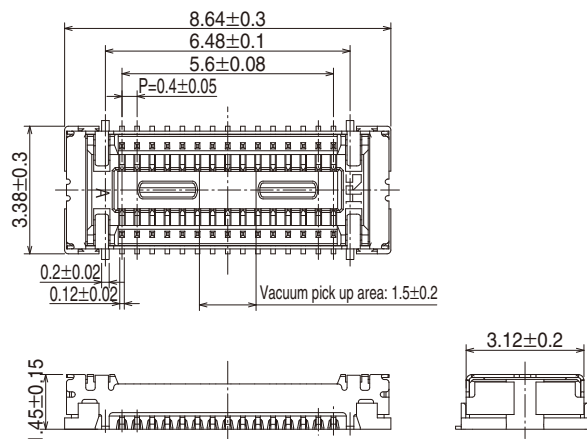
(Note 4) This connector is NOT polarized.

(Note 5) Some parts are available with metal fittings. Please contact a Hirose sales representative for more information.

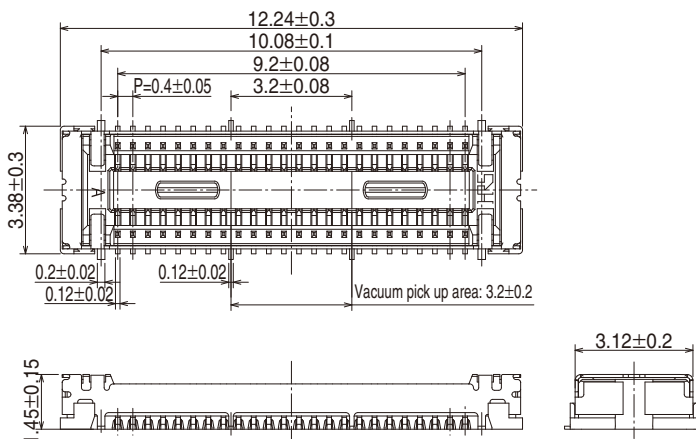
■ Receptacle (Stacking height 1.5 mm, with shield)



< 30 contact >

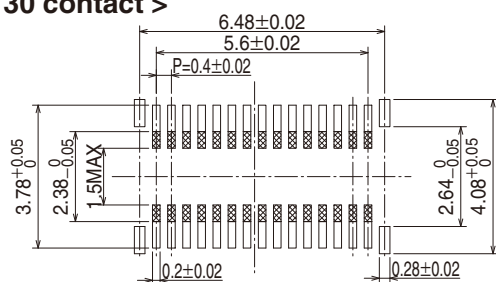


< 48 contact >

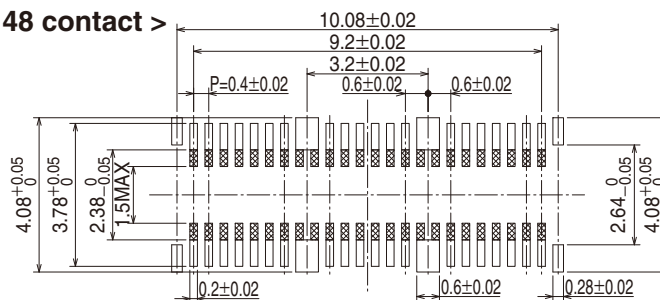


◆ Recommended PCB layout

< 30 contact >



< 48 contact >



■ Stacking height 1.5mm

【Specification No.】
(51): Embossed package 5,000 pieces per reel

Unit: mm

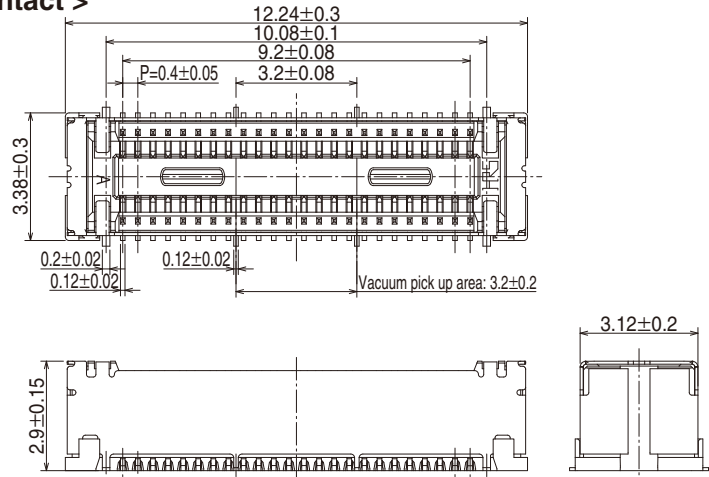
Part No.	HRS No.	No. of Contacts	Signal contact	Ground contact	RoHS
DF40GB(1.5)-30DS-0.4V(51)	CL684-4198-4-51	30	30	4	○
DF40GB(1.5)-48DS-0.4V(51)	CL684-4194-3-51	48	40	12	

- (Note 1) Please place orders by full reel
- (Note 2) PCB layout prohibited area.
- (Note 3) This connector is NOT polarized

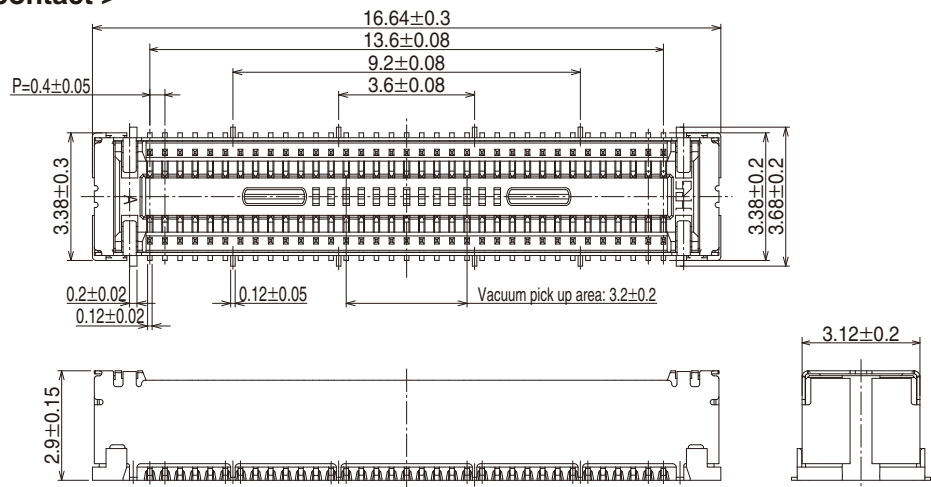
■ Receptacle (Stacking height 3.0 mm, with shield)



< 48 contact >

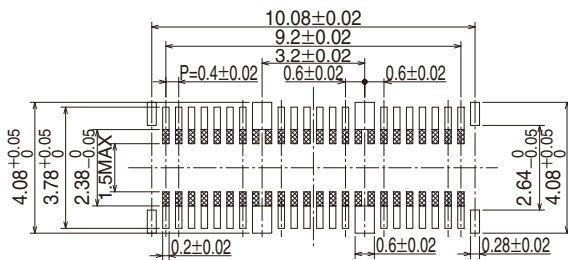


< 70 contact >

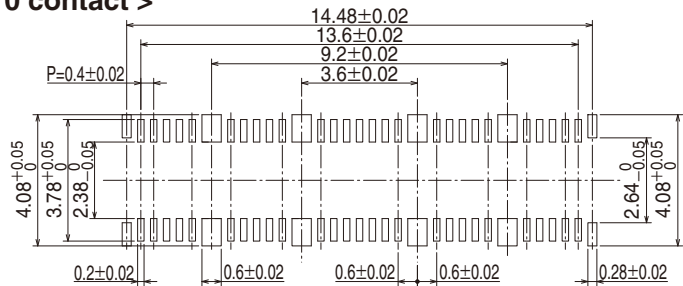


◆ Recommended PCB layout

< 48 contact >



< 70 contact >



■ Stacking height 3.0mm

【Specification No.】

(51): Embossed package 3,000 pieces per reel

Unit: mm

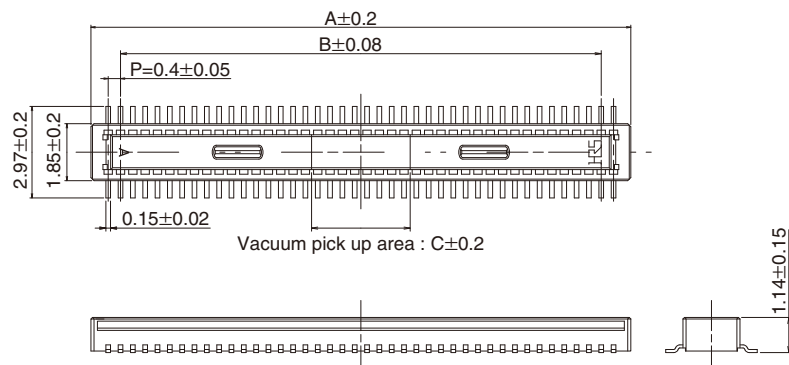
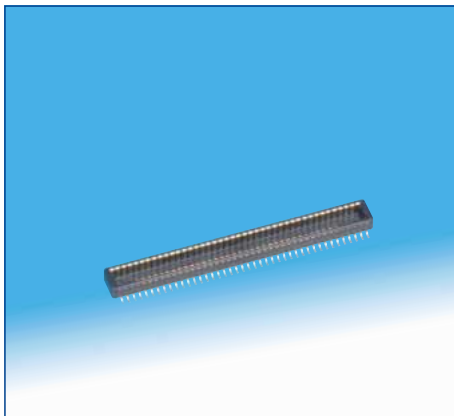
Part No.	HRS No.	No. of Contacts	Signal contact	Ground contact	RoHS
DF40GB(3.0)-48DS-0.4V(51)	CL684-4197-1-51	48	40	12	○
DF40GB(3.0)-70DS-0.4V(51)	CL684-4196-9-51	70	54	20	

(Note 1) Please place orders by full reel

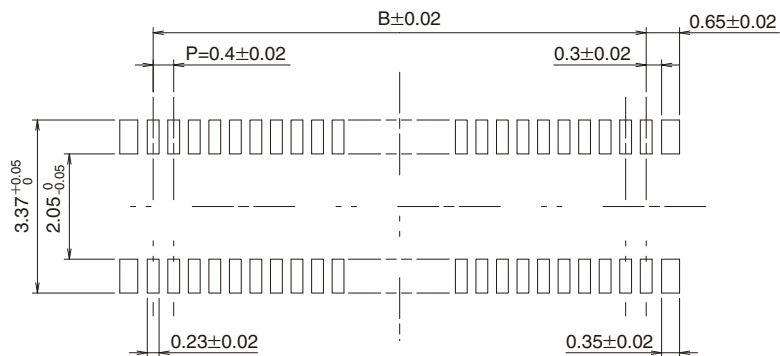
(Note 2) The surface of the 70 pos. part have a small, concave section that will not affect the vacuum pick up operation

(Note 3) This connector is NOT polarized.

Header



Recommended PCB layout



Unit: mm

Part No.	HRS No.	No. of Contacts	A	B	C	RoHS
DF40C-10DP-0.4V(51)	CL684-4035-0-51	10	3.52	1.6	1.0	○
DF40C-12DP-0.4V(51)	CL684-4149-9-51	12	3.92	2.0	1.0	
DF40C-20DP-0.4V(51)	CL684-4010-9-51	20	5.52	3.6	1.0	
DF40C-24DP-0.4V(51)	CL684-4011-1-51	24	6.32	4.4	1.2	
DF40C-30DP-0.4V(51)	CL684-4012-4-51	30	7.52	5.6	1.5	
DF40C-34DP-0.4V(51)	CL684-4024-3-51	34	8.32	6.4	2.3	
DF40C-40DP-0.4V(51)	CL684-4013-7-51	40	9.52	7.6	3.2	
DF40C-44DP-0.4V(51)	CL684-4077-0-51	44	10.32	8.4	3.2	
DF40C-50DP-0.4V(51)	CL684-4014-0-51	50	11.52	9.6	3.2	
DF40C-60DP-0.4V(51)	CL684-4003-3-51	60	13.52	11.6	3.2	
DF40C-70DP-0.4V(51)	CL684-4015-2-51	70	15.52	13.6	3.2	
DF40C-80DP-0.4V(51)	CL684-4001-8-51	80	17.52	15.6	3.2	
DF40C-90DP-0.4V(51)	CL684-4125-0-51	90	19.52	17.6	3.2	
DF40C-100DP-0.4V(51)	CL684-4032-1-51	100	21.52	19.6	3.2	

(Note 1) Please place orders by full reel

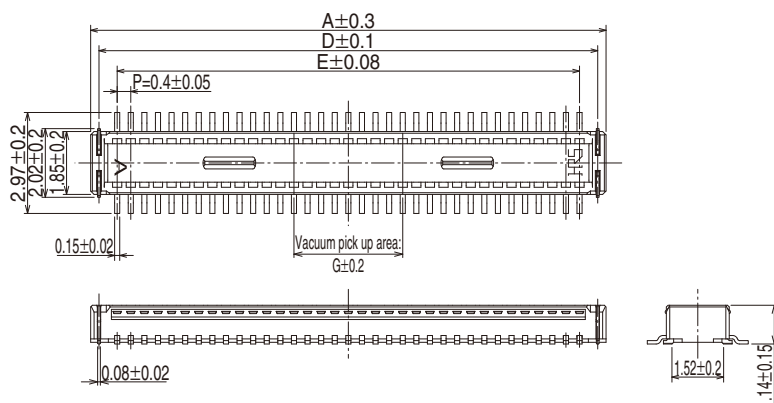
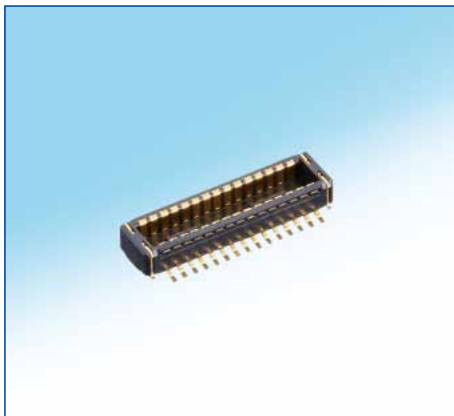
(Note 2) There are no concave parts on the header side contact part to increase the mating strength for 60 pos. or above.

(Note 3) Use the contacts at the four corners as metal fittings. Do not use them as signal or power contacts.

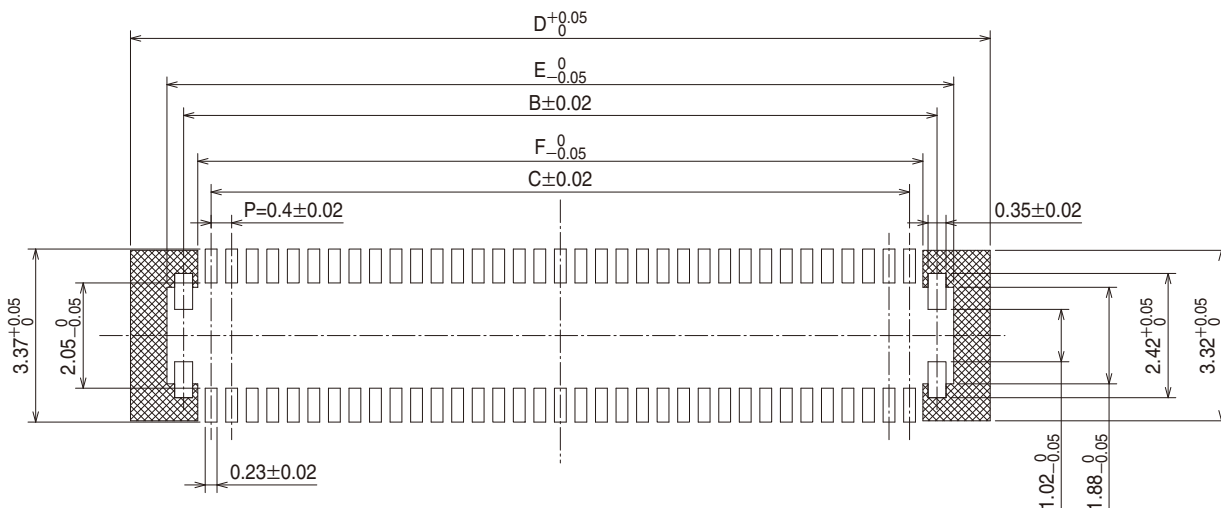
(Note 4) The surface of the 90 pos and higher parts have a small, concave section that will not affect the vacuum pick up operation

(Note 5) This connector is NOT polarized.

Header (For use with shielded product)



Recommended PCB layout



Unit: mm

Part No.	HRS No.	No. of Contacts	A	B	C	D	E	F	G	RoHS
DF40GB-30DP-0.4V(51)	CL684-4200-4-51	10	7.16	6.67	5.6	8.74	7.32	6.12	1.5	○
DF40GB-48DP-0.4V(51)	CL684-4195-6-51	12	10.76	10.27	9.2	12.34	10.92	9.72	3.2	
DF40GB-70DP-0.4V(51)	CL684-4199-7-51	20	15.16	14.67	13.6	16.74	15.32	14.12	3.2	

(Note 1) Please place orders by full reel

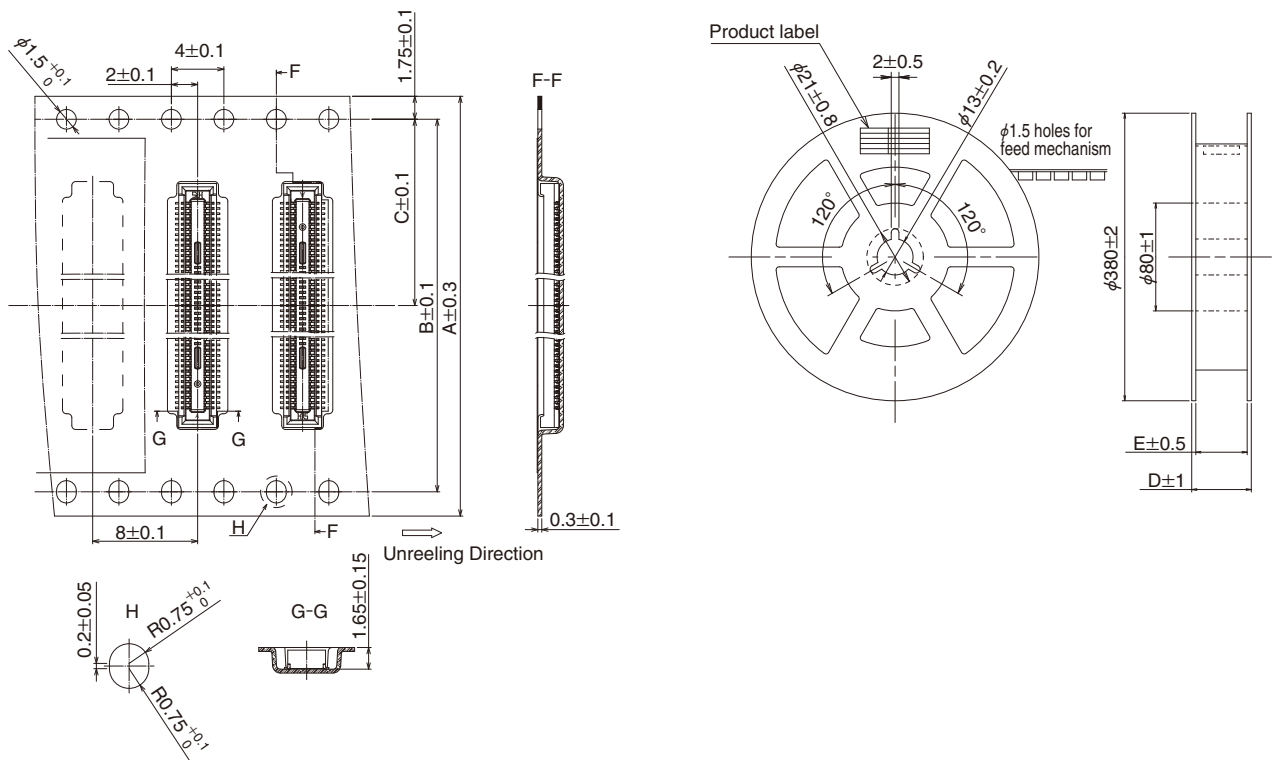
(Note 2) There are no concave parts of header side contact part to increase the mating strength for 60 pos. or above.

(Note 3) This connector is NOT polarized.

◆ Embossed Carrier Tape Dimensions (JIS C 0806 compliant)

● Receptacle (Stacking height 1.5 mm)

● Reel Condition Dimensions



■ Stacking height 1.5 mm

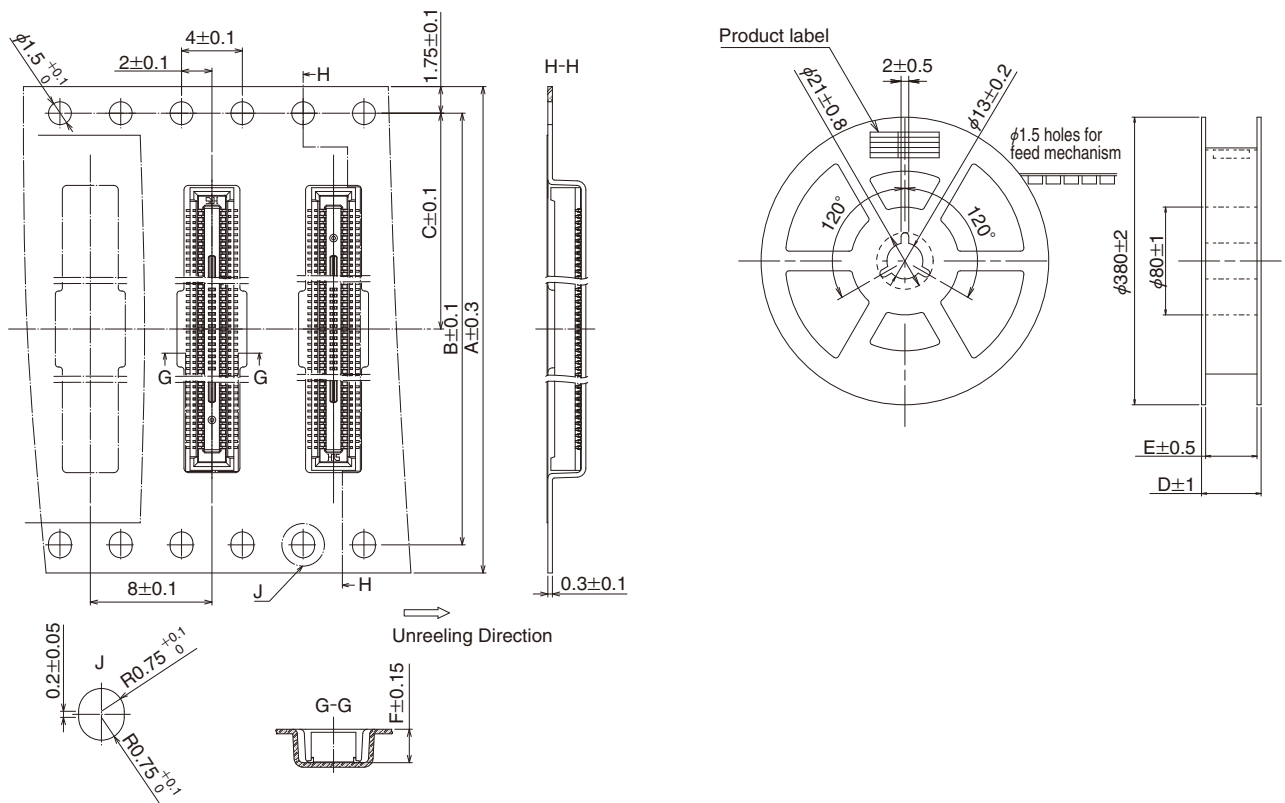
Unit: mm

Part No.	A	B	C	D	E
DF40C-10DS-0.4V(51)	16	—	7.5	21.5	17.5
DF40C-12DS-0.4V(51)	16	—	7.5	21.5	17.5
DF40C-20DS-0.4V(51)	16	—	7.5	21.5	17.5
DF40C-24DS-0.4V(51)	16	—	7.5	21.5	17.5
DF40C-30DS-0.4V(51)	24	—	11.5	29.5	25.5
DF40C-34DS-0.4V(51)	24	—	11.5	29.5	25.5
DF40C-40DS-0.4V(51)	24	—	11.5	29.5	25.5
DF40C-50DS-0.4V(51)	24	—	11.5	29.5	25.5
DF40C-60DS-0.4V(51)	24	—	11.5	29.5	25.5
DF40C-70DS-0.4V(51)	32	28.4	14.2	37.5	33.5
DF40C-80DS-0.4V(51)	32	28.4	14.2	37.5	33.5
DF40C-90DS-0.4V(51)	44	40.4	20.2	49.5	45.5
DF40C-100DS-0.4V(51)	44	40.4	20.2	49.5	45.5
DF40GB(1.5)-30DS-0.4V(51)	24	—	11.5	29.5	25.5
DF40GB(1.5)-48DS-0.4V(51)	24	—	11.5	29.5	25.5

(Note 1) For 10-60 contact position parts, the carrier tape only has one row of holes. The carrier for parts with 70 contacts and above has two rows of holes.

◆ Embossed Carrier Tape Dimensions (JIS C 0806 compliant)

● Receptacle (Stacking height 2.0 mm to 2.5 mm) ● Reel Dimensions



■ Stacking height 2.0 mm

Unit: mm

Part No.	A	B	C	D	E	F
DF40C(2.0)-12DS-0.4V(51)	16	—	7.5	21.5	17.5	2.2
DF40C(2.0)-20DS-0.4V(51)	16	—	7.5	21.5	17.5	2.2
DF40C(2.0)-24DS-0.4V(51)	16	—	7.5	21.5	17.5	2.2
DF40C(2.0)-30DS-0.4V(51)	24	—	11.5	29.5	25.5	2.2
DF40C(2.0)-40DS-0.4V(51)	24	—	11.5	29.5	25.5	2.2
DF40C(2.0)-50DS-0.4V(51)	24	—	11.5	29.5	25.5	2.2
DF40C(2.0)-60DS-0.4V(51)	24	—	11.5	29.5	25.5	2.2
DF40C(2.0)-70DS-0.4V(51)	32	28.4	14.2	37.5	33.5	2.2
DF40C(2.0)-80DS-0.4V(51)	32	28.4	14.2	37.5	33.5	2.2

■ Stacking height 2.5 mm

Unit: mm

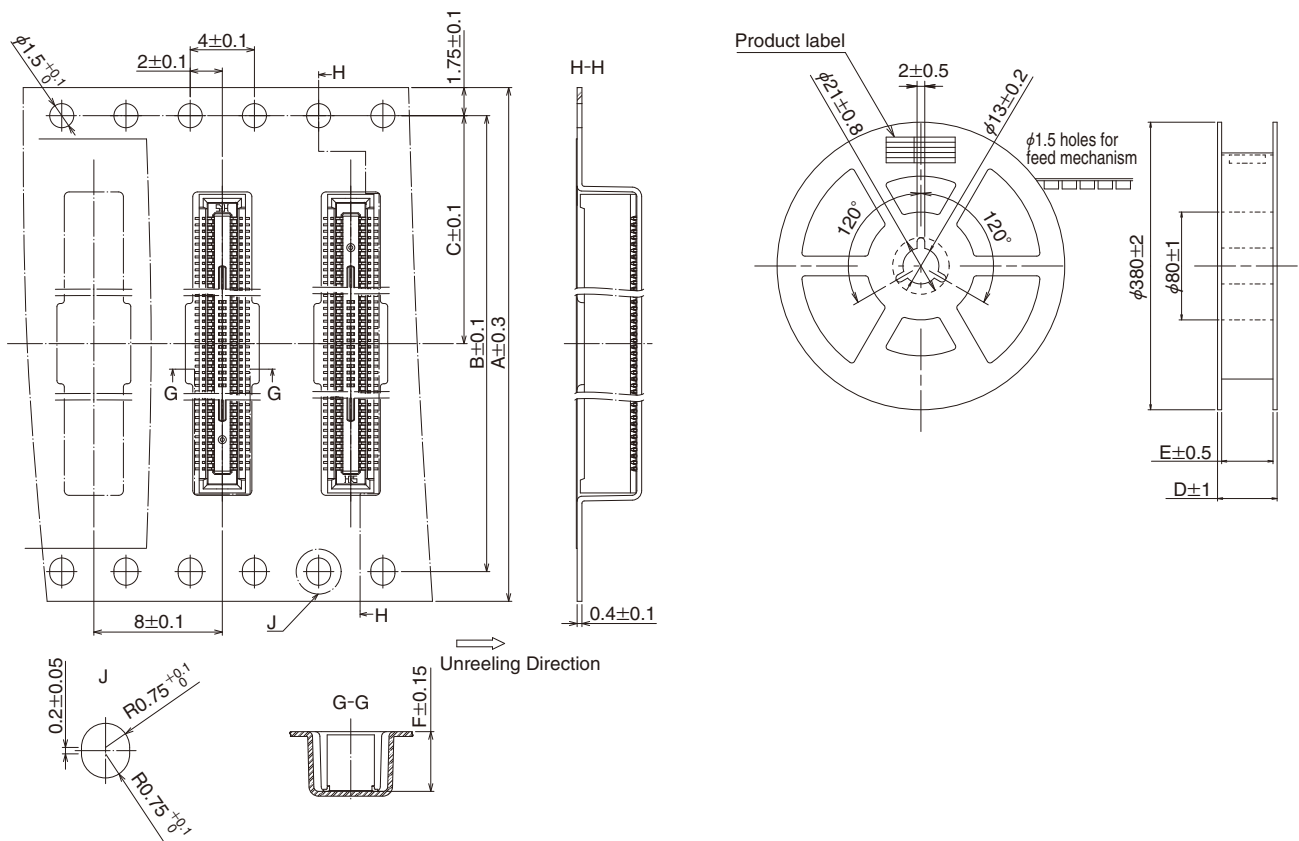
Part No.	A	B	C	D	E	F
DF40HC(2.5)-10DS-0.4V(51)	16	—	7.5	21.5	17.5	2.72
DF40HC(2.5)-20DS-0.4V(51)	16	—	7.5	21.5	17.5	2.72
DF40HC(2.5)-40DS-0.4V(51)	24	—	11.5	29.5	25.5	2.72
DF40HC(2.5)-50DS-0.4V(51)	24	—	11.5	29.5	25.5	2.72
DF40HC(2.5)-60DS-0.4V(51)	24	—	11.5	29.5	25.5	2.72

(Note 1) For 10-60 contact position parts, the carrier tape only has one row of holes. The carrier for parts with 70 contacts and above has two rows of holes.

◆ Embossed Carrier Tape Dimensions (JIS C 0806 compliant)

● Receptacle (Stacking height 3.0 mm to 4.0 mm)

● Reel Condition Dimensions



■ Stacking height 3.0 mm

Unit: mm

Part No.	A	B	C	D	E	F
DF40HC(3.0)-30DS-0.4V(51)	24	—	11.5	29.5	25.5	3.15
DF40HC(3.0)-44DS-0.4V(51)	24	—	11.5	29.5	25.5	3.15
DF40HC(3.0)-50DS-0.4V(51)	24	—	11.5	29.5	25.5	3.15
DF40HC(3.0)-60DS-0.4V(51)	24	—	11.5	29.5	25.5	3.15
DF40HC(3.0)-70DS-0.4V(51)	32	28.4	14.2	37.5	33.5	3.15
DF40HC(3.0)-80DS-0.4V(51)	32	28.4	14.2	37.5	33.5	3.15
DF40HC(3.0)-90DS-0.4V(51)	44	40.4	20.2	49.5	45.5	3.15
DF40HC(3.0)-100DS-0.4V(51)	44	40.4	20.2	49.5	45.5	3.15
DF40GB(3.0)-48DS-0.4V(51)	24	—	11.5	29.5	25.5	3.15
DF40GB(3.0)-70DS-0.4V(51)	32	28.4	14.2	37.5	33.5	3.15

■ Stacking height 3.5 mm

Unit: mm

Part No.	A	B	C	D	E	F
DF40HC(3.5)-20DS-0.4V(51)	16	—	7.5	21.5	17.5	3.72
DF40HC(3.5)-30DS-0.4V(51)	24	—	11.5	29.5	25.5	3.72
DF40HC(3.5)-50DS-0.4V(51)	24	—	11.5	29.5	25.5	3.72
DF40HC(3.5)-60DS-0.4V(51)	24	—	11.5	29.5	25.5	3.72

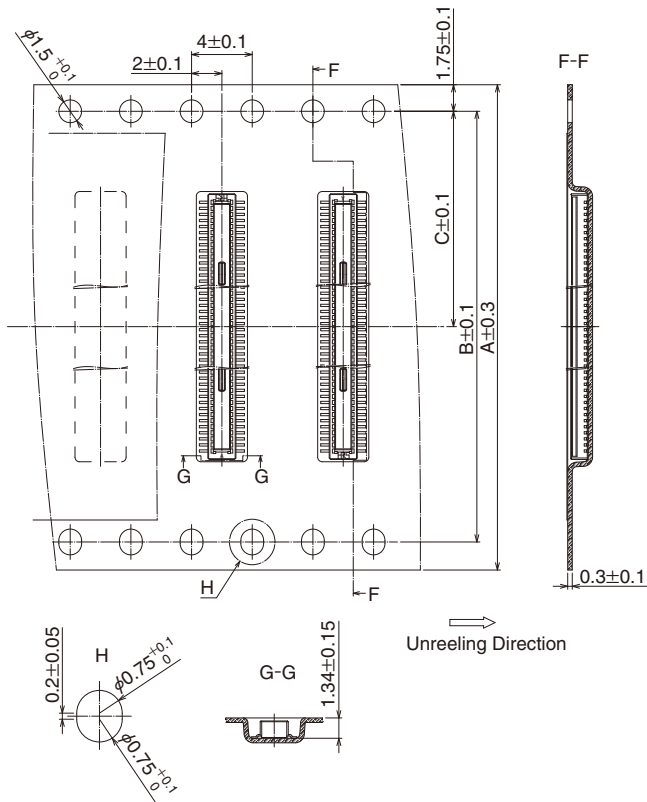
■ Stacking height 4.0 mm

Unit: mm

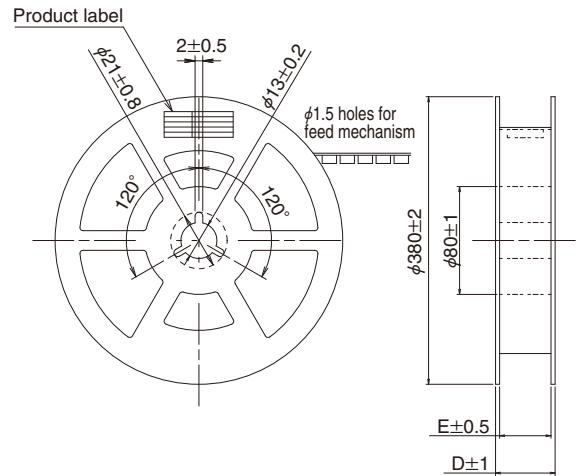
Part No.	A	B	C	D	E	F
DF40HC(4.0)-40DS-0.4V(51)	24	—	11.5	29.5	25.5	4.15
DF40HC(4.0)-50DS-0.4V(51)	24	—	11.5	29.5	25.5	4.15
DF40HC(4.0)-60DS-0.4V(51)	24	—	11.5	29.5	25.5	4.15
DF40HC(4.0)-80DS-0.4V(51)	32	28.4	14.2	37.5	33.5	4.15
DF40HC(4.0)-90DS-0.4V(51)	44	40.4	20.2	49.5	45.5	4.15

(Note 1) For 10-60 contact position parts, the carrier tape only has one row of holes. The carrier for parts with 70 contacts and above has two rows of holes.

● Header



● Reel Dimensions

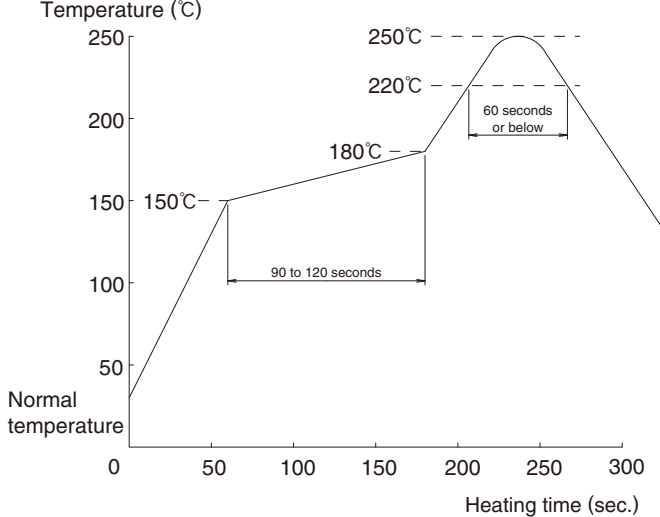


Unit: mm

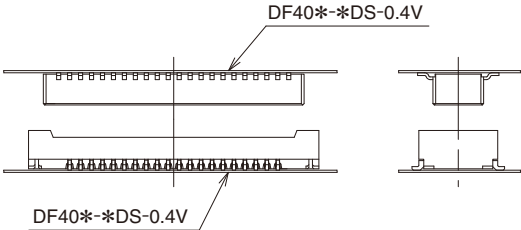
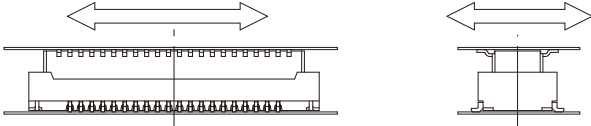
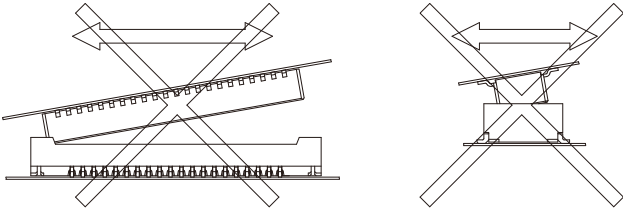
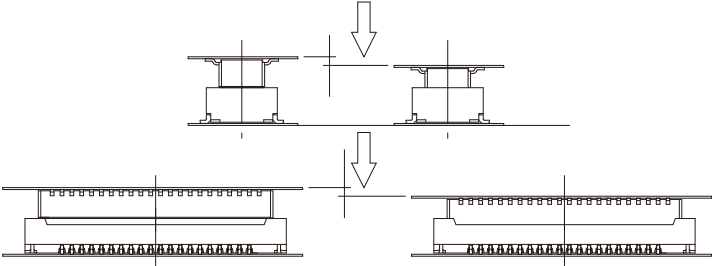
Part No.	A	B	C	D	E
DF40C-10DP-0.4V(51)	12	—	5.5	17.5	13.5
DF40C-12DP-0.4V(51)	12	—	5.5	17.5	13.5
DF40C-20DP-0.4V(51)	16	—	7.5	21.5	17.5
DF40C-24DP-0.4V(51)	16	—	7.5	21.5	17.5
DF40C-30DP-0.4V(51)	16	—	7.5	21.5	17.5
DF40C-34DP-0.4V(51)	24	—	11.5	29.5	25.5
DF40C-40DP-0.4V(51)	24	—	11.5	29.5	25.5
DF40C-44DP-0.4V(51)	24	—	11.5	29.5	25.5
DF40C-50DP-0.4V(51)	24	—	11.5	29.5	25.5
DF40C-60DP-0.4V(51)	24	—	11.5	29.5	25.5
DF40C-70DP-0.4V(51)	32	28.4	14.2	37.5	33.5
DF40C-80DP-0.4V(51)	32	28.4	14.2	37.5	33.5
DF40C-90DP-0.4V(51)	44	40.4	20.2	49.5	45.5
DF40C-100DP-0.4V(51)	44	40.4	20.2	49.5	45.5
DF40GB-30DP-0.4V(51)	16	—	7.5	21.5	17.5
DF40GB-48DP-0.4V(51)	24	—	11.5	29.5	25.5
DF40GB-70DP-0.4V(51)	24	—	11.5	29.5	25.5

(Note 1) For 10-60 contact position parts, the carrier tape only has one row of holes. The carrier for parts with 70 contacts and above has two rows of holes.

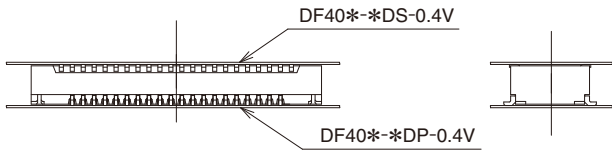
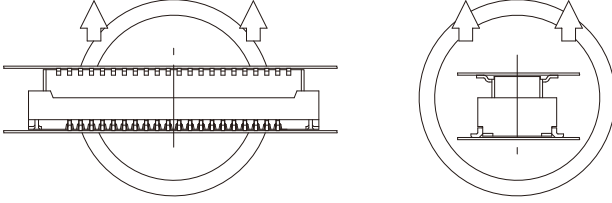
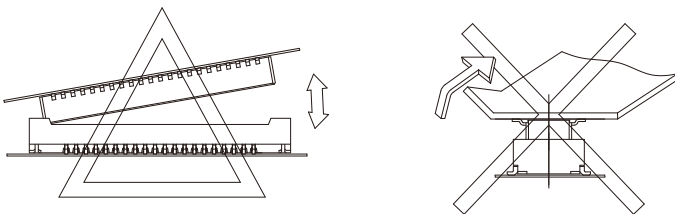
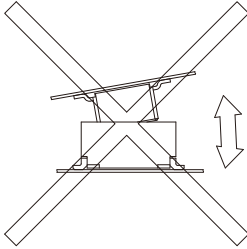
◆ Operating Precautions

1. Recommended Solder Profile	 <p style="text-align: center;">Temperature (°C)</p> <p style="text-align: center;">Heating time (sec.)</p> <p>【Conditions】</p> <table border="0"> <tr> <td>1. Peak temperature</td> <td>Maximum of 250°C</td> </tr> <tr> <td>2. Heating part</td> <td>Minimum of 220°C within 60 seconds</td> </tr> <tr> <td>3. Preheating part</td> <td>150~180°C 90~120 seconds</td> </tr> <tr> <td>4. Number of times</td> <td>Maximum of 2 cycles</td> </tr> </table> <p>(Note 1) The temperature shows PCB surface temperature near the connector lead part.</p>	1. Peak temperature	Maximum of 250°C	2. Heating part	Minimum of 220°C within 60 seconds	3. Preheating part	150~180°C 90~120 seconds	4. Number of times	Maximum of 2 cycles
1. Peak temperature	Maximum of 250°C								
2. Heating part	Minimum of 220°C within 60 seconds								
3. Preheating part	150~180°C 90~120 seconds								
4. Number of times	Maximum of 2 cycles								
2. Recommended hand solder conditions	Soldering iron temperature 340 ±10°C, solder time no more than 3 seconds								
3. Recommended screen thickness: Opening ratio (pattern area ratio)	Thickness: 0.12 mm Opening ratio: DS side 80% DP side 80%								
4. Leaning of PCB	Max 0.02 mm at the center of connector (using both edges of connector as criteria)								
5. Washing	Cleaning/washing is not recommended for this connector. Cleaning agents can deteriorate the mechanical operation and the environmental resistance of this connector.								
6. Precautions	<ul style="list-style-type: none"> ■ Do not mate or unmate these connectors until they are mounted, failure to follow this precaution can lead to deformation or damage to these connectors. ■ Provide another form of support to the PCB, this connector was not designed to be the main form of support. ■ Mating and unmating with excessive force can cause damage. ■ Do not apply excessive amounts of flux as it may cause excess solder and flux wicking ■ There may be a slight variance in the color of the molding between production lots, this variance will not affect the performance of the connector. ■ Refer to the next page for the handling precautions when mating and unmating the connectors. ■ If the connector becomes disconnected due to impact, a fall or a counterforce to the FPC, it may be necessary to hold the connector in place with an addition to the device's case or other cushioning material to hold the connector in place. 								

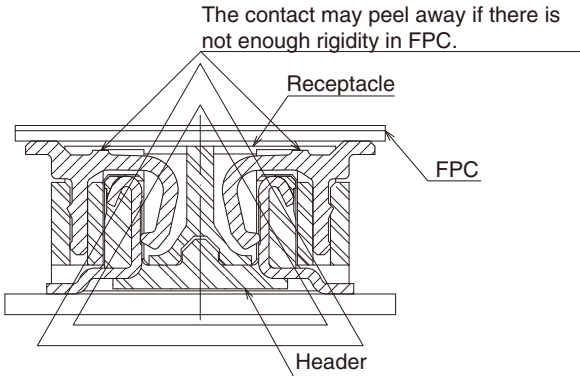
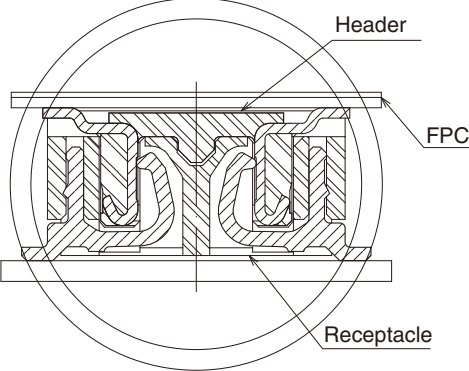
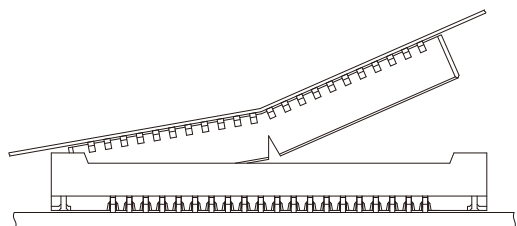
◆ Precautions when connector mating

	
	
	<p>Prior to mating, locate the guidance ribs and align the header. Do not apply excess force to the connector during mating. Doing so can lead to contact damage</p>
	<p>Make sure that the connector is parallel to the other side, it then will drop down slightly. Continue to press it down until it is fully mated while maintaining the angle. Do not apply excessive force as it may damage the contacts.</p>

◆ Precautions when unmating a connector

 <p>DF40*-DS-0.4V DF40*-DP-0.4V</p>	
	<p>To unmate this connector, lift evenly across the header, making sure that each side stays parallel to each other.</p>
 <p>Pitch direction Corner direction</p>	<p>If circumstances prevent the connectors from staying parallel to each other, then one side may be lifted as shown in the diagram. This method is only approved if the connector is mounted onto an extremely rigid circuit board. If the board were to warp during this process it may result in damage to the connector or its solder joints.</p> <p>Do not try to disconnect these connectors by pulling on one side or a corner, or unmate it while it is securely mounted onto a rigid FPC. These actions may lead to deformities and ultimately a damaged connector.</p>
 <p>Width direction</p>	<p>As shown in the figure to the left, do not unmate it from the width direction (front to back), it may damage contacts.</p>

◆ Precautions when unmating a connector

 <p>The contact may peel away if there is not enough rigidity in FPC.</p>	<p>When mounting the receptacle side to FPC which does not have enough rigidity, the contact may peel away soldered connection.</p> <p>We recommended to mount the header side to the FPC.</p>
	<p>We have conducted evaluations on the requirements needed for FPC rigidity. If you need to mount the receptacle to the FPC, contact your local Hirose Rep for this data.</p>
	<p>Even when mounting the header side to FPC, if the rigidity of FPC is low, the connector may break as shown in the left figure. Please check the strength and durability of FPC before using.</p> <p>For the evaluation results of each item and FPC rigidity, please contact us.</p>

USA:

HIROSE ELECTRIC (U.S.A.), INC. Headquarters
 2688 Westhills Court, Simi Valley, CA 93065-6235
 Phone : +1-805-522-7958
 Fax : +1-805-522-3217
<http://www.hiroseusa.com>

USA:

HIROSE ELECTRIC (U.S.A.), INC. San Jose Office
 3255 Scott Boulevard, Building 7, Suite 101
 Santa Clara, CA 95054
 Phone : +1-408-253-9640
 Fax : +1-408-253-9641
<http://www.hiroseusa.com>

USA:

HIROSE ELECTRIC (U.S.A.), INC. Detroit Office (Automotive)
 37677 Professional Center Drive, Suite #100C
 Livonia, MI 48154
 Phone : +1-734-542-9963
 Fax : +1-734-542-9964
<http://www.hiroseusa.com>

THE NETHERLANDS:

HIROSE ELECTRIC EUROPE B.V.
 Hogehillweg #8 1101 CC Amsterdam Z-O
 Phone : +31-20-6557460
 Fax : +31-20-6557469
<http://www.hiroseurope.com>

GERMANY:

HIROSE ELECTRIC EUROPE B.V. German Branch
 Herzog-Carl-Strasse 4 D-73760 Ostfildern
 (Scharnhauser Park)
 Phone : +49-711-4560-02-1
 Fax : +49-711-4560-02-299
<http://www.hirose.de>

UNITED KINGDOM:

HIROSE ELECTRIC EUROPE B.V. UK Branch
 22 Vincent Avenue, Crownhill Business
 Centre, Crownhill, Milton Keynes, MK8 0AB
 Phone : +44-1908-305750
 Fax : +44-1908-305768
<http://www.hirose.co.uk>

CHINA:

HIROSE ELECTRIC TRADING (SHANGHAI) CO., LTD.
 1601, Henderson Metropolitan, NO.300, East Nanjing
 Road, Huangpu District, Shanghai, China 200001
 Phone : +86-21-6391-3355
 Fax : +86-21-6391-3335
<http://www.hirose-china.com.cn>

CHINA:

HIROSE ELECTRIC TRADING (SHANGHAI) CO., LTD. Beijing Branch
 A1001, Ocean International Center, Building 56# East 4th
 Ring Middle Road, Chao Yang District, Beijing, 100025
 Phone : +86-10-5165-9332
 Fax : +86-10-5908-1381
<http://www.hirose-china.com.cn>

CHINA:

HIROSE ELECTRIC TECHNOLOGIES (SHENZHEN) CO., LTD.
 Room 09-13, 19/F, Office Tower Shun Hing Square, Di Wang Commercial Centre
 5002, ShenNanDong Road, ShenZhen City, Guangdong Province, 518008
 Phone : +86-755-8207-0851
 Fax : +86-755-8207-0873
<http://www.hirose-china.com.cn>

HONG KONG:

HIROSE ELECTRIC HONGKONG TRADING CO., LTD.
 Room 1001, West Wing, Tsim Sha Tsui Centre, 66
 Mody Road, Tsim Sha Tsui East, Kowloon, Hong Kong
 Phone : +852-2803-5338
 Fax : +852-2591-6560
<http://www.hirose-hongkong.com.hk>

TAIWAN:

HIROSE ELECTRIC TAIWAN CO., LTD.
 103 8F, No.87, Zhengzhou Rd., Taipei
 Phone : +886-2-2555-7377
 Fax : +886-2-2555-7350
<http://www.hirose-taiwan.com.tw>

KOREA:

HIROSE KOREA CO., LTD.
 1261-10, Jeoungwhang-Dong, Shihung-City,
 Kyunggi-Do 429-450
 Phone : +82-31-496-7000, 7124
 Fax : +82-31-496-7100
<http://www.hirose.co.kr>

SINGAPORE:

HIROSE ELECTRIC SINGAPORE PTE. LTD.
 10 Anson Road #26-1 International Plaza
 079903
 Phone : +65-6324-6113
 Fax : +65-6324-6123
<http://www.hirose-singapore.com.sg>

INDIA:

HIROSE ELECTRIC SINGAPORE PTE. LTD. Bangalore Liaison office
 Unit No.03, Ground Floor, Explorer Building International Tech
 Park Whitefield Road, Bangalore 560066 Karnataka, India
 Phone : +65-6324-6113
 Fax : +65-6324-6123
<http://www.hirose-singapore.com.sg>

INDIA:

HIROSE ELECTRIC SINGAPORE PTE. LTD Delhi Liaison Office
 Suite No. 606 5th Floor SB Tower 1A/1 Sector
 16 A Filmcity Noida 201301 Uttar Pradesh-India
 Phone : +91-120-4804917
 Fax : +91-120-4804949
<http://www.hirose.com/sg/>

MALAYSIA:

HIROSE ELECTRIC SINGAPORE PTE. LTD (Representative office)
 1-10-07, Suntech @ Penang Cybercity (1164), Lintang
 Mayang Pasir 3, 11950, Bayan Baru, Penang, Malaysia.
 Phone : +604-619-2564
 Fax : +604-619-2574
<http://www.hirose.com/sg/>



HIROSE ELECTRIC CO.,LTD.

6-3, Nakagawa Chuoh-2-Chome, Tsuzuki-Ku, Yokohama-Shi 224-8540, JAPAN
 TEL: +81-45-620-3526 Fax: +81-45-591-3726
<http://www.hirose.com>
<http://www.hirose-connectors.com>

X-ON Electronics

Largest Supplier of Electrical and Electronic Components

Click to view similar products for [Board to Board & Mezzanine Connectors](#) category:

Click to view products by [Hirose](#) manufacturer:

Other Similar products are found below :

[589158040000018](#) [MDF7C-18P-2.54DSA\(55\)](#) [FCN-230C068-11](#) [FCN-268F012-G/BD](#) [FCN-268F036-G/BD](#) [FCN-268M012-G/0D](#) [FCN-268M024-G/1D](#) [FCN-723J004/1](#) [MIS-048-01-F-D-DP-K](#) [832-10-034-10-001000](#) [FX4C-80S-1.27DSA](#) [FCN-214Q030-G/0](#) [FCN-234P048-G/0](#) [FCN-235D050-G/C](#) [210-93-314-41-105000](#) [2-22603-0](#) [MDF7-40DP-2.54DSA\(55\)](#) [AXG720047](#) [MIT-114-03-F-D-K](#) [55323-1519](#) [DF33-2P-3.3DSA\(24\)](#) [YFT-20-05-H-03-SB-K](#) [503308-3040](#) [026-6203-PDB](#) [027-6203-PDB](#) [069159702701000](#) [10123981-102LF](#) [101A10019X](#) [55650-0588-C](#) [68682-310LF](#) [68684-306](#) [75140-7012](#) [87471-650](#) [YTW-30-07-H-Q-410-140](#) [FCN-268F024-G0D](#) [10124054-515LF](#) [68685-603](#) [8-1616154-3](#) [MIS-019-01-F-D](#) [FCN-268M024-G/3D](#) [FCN-268M036-G/BD](#) [20021832-06016C1LF](#) [KX15-20KLDL-E1000E](#) [AXE810124](#) [FCN-214J100-G/0](#) [FCN-230C068-E/S](#) [AXE812124](#) [AXE816124](#) [AXE720127](#) [354184](#)