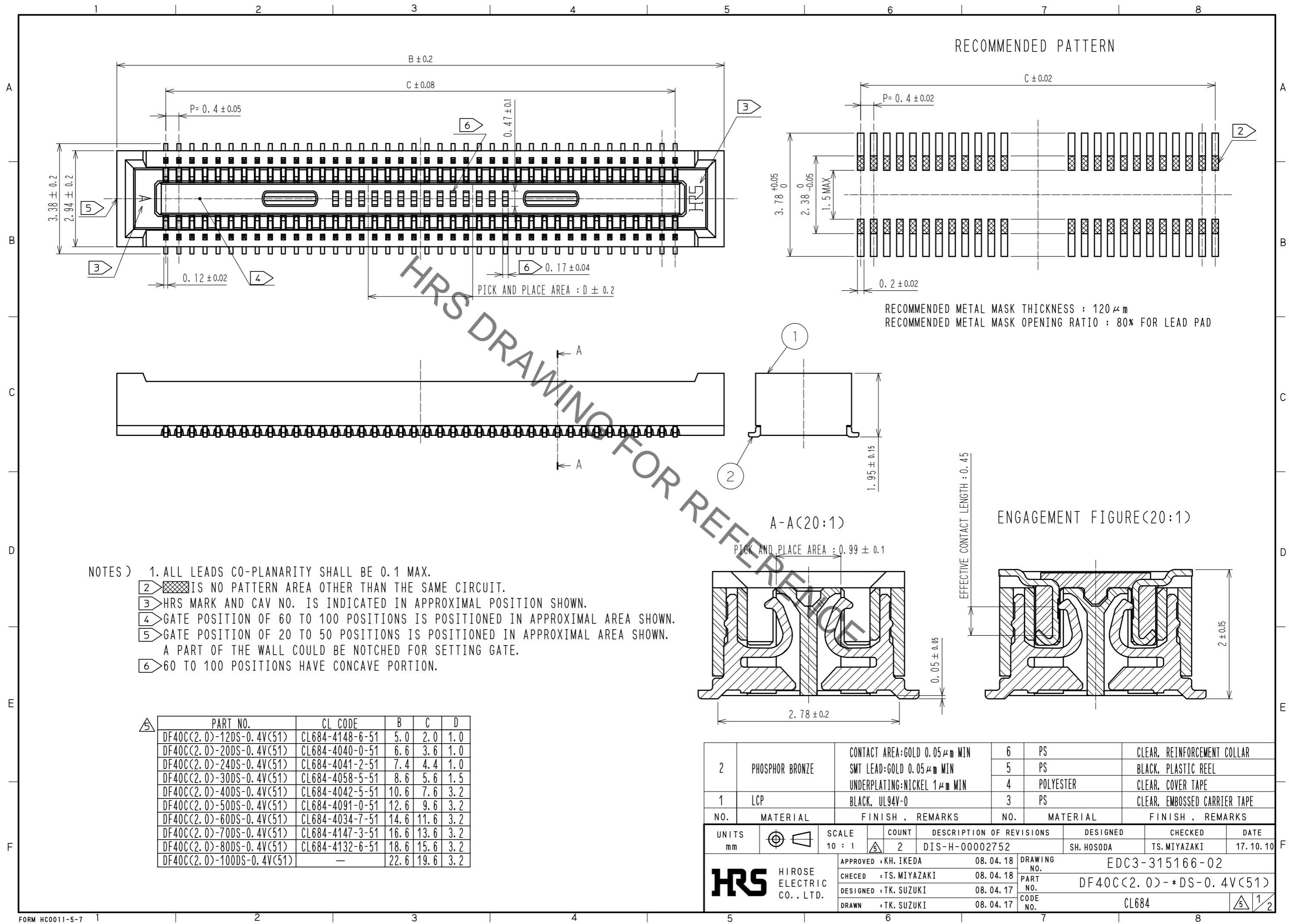


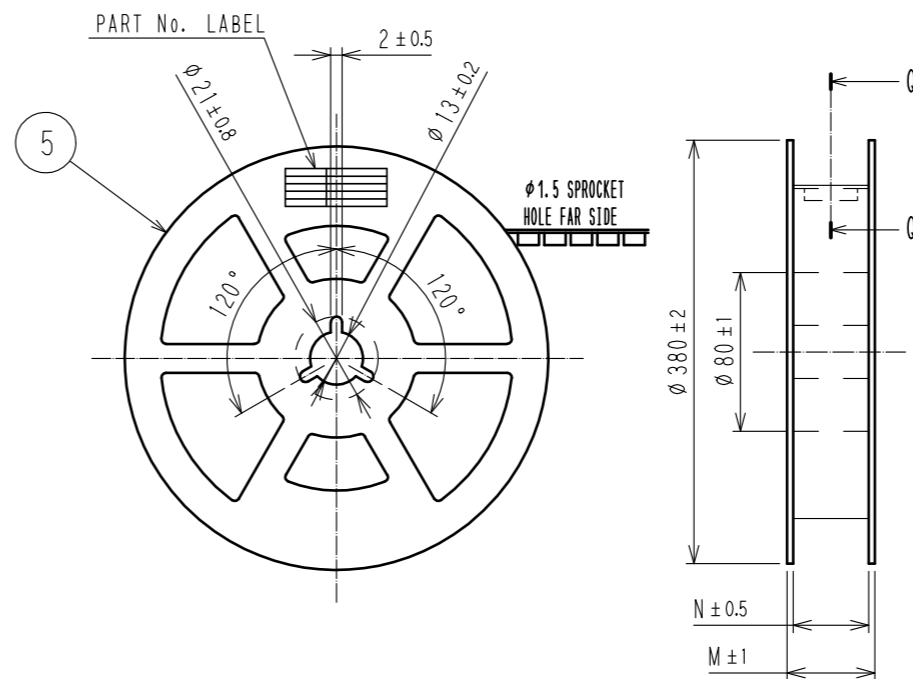
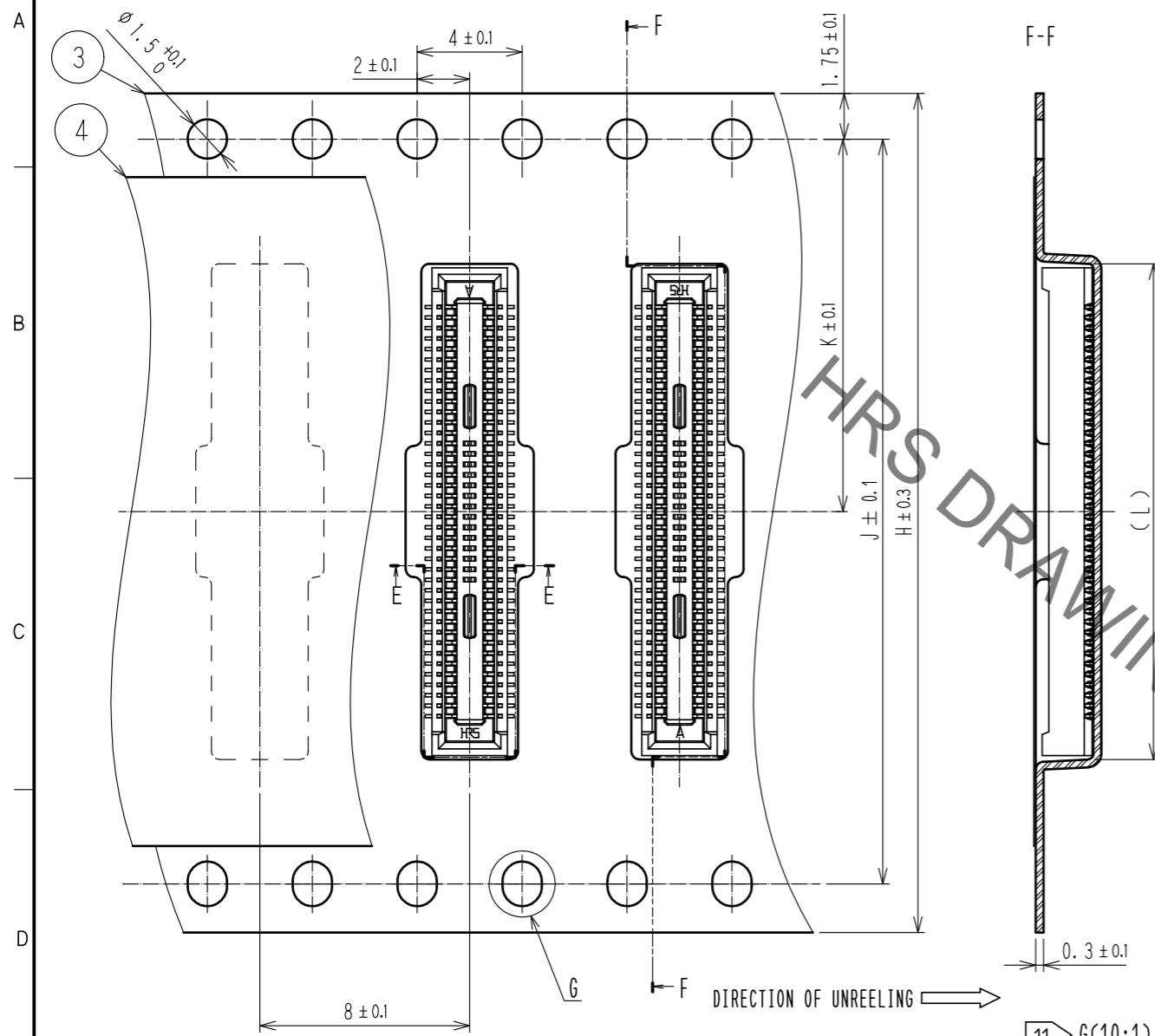
Aug.1.2021 Copyright 2021 HIROSE ELECTRIC CO., LTD. All Rights Reserved.
In case of consideration for using Automotive equipment / device which demand high reliability, kindly contact our sales window correspondents.



Aug.1.2021 Copyright 2021 HIROSE ELECTRIC CO., LTD. All Rights Reserved.
In case of consideration for using Automotive equipment / device which demand high reliability, kindly contact our sales window correspondents.

EMBOSSED CARRIER TAPE PACKAGING(5:1)

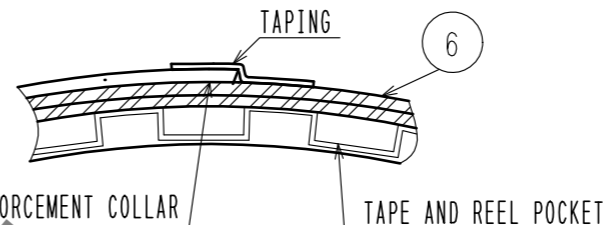
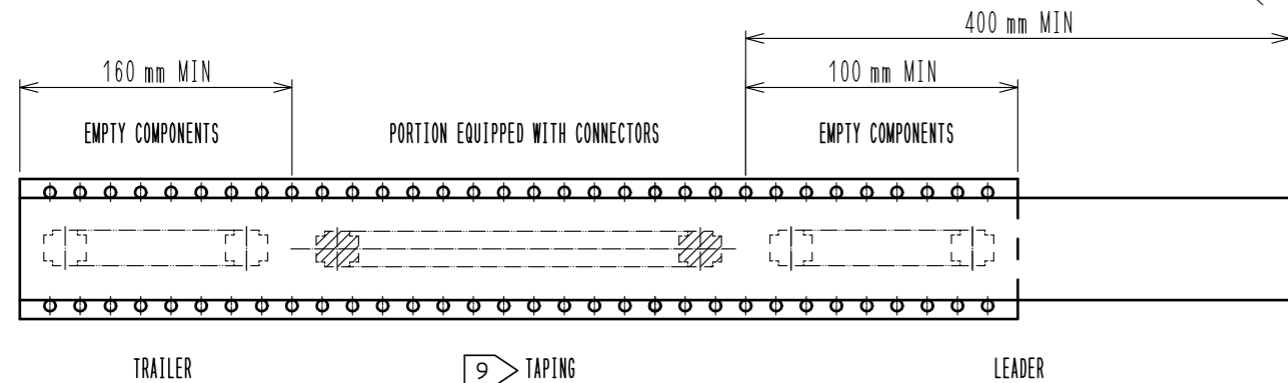
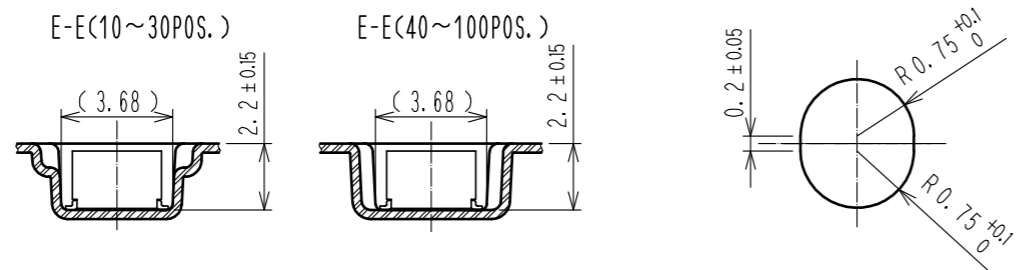
STYLE AND DIMENSION OF REEL(FREE SIZE)



10 DETAIL OF PART No. LABEL

製造年月日	** ** *
製品コード	CL684-****-51
製品名	DF40C(2.0)-*DS-0.4V(51)
数量	4000
納入者	ヒロセ電機(株)

PART NO.	H	J	K	L	M	N
DF40C(2.0)-12DS-0.4V(51)	16	—	7.5	5.3	21.5	17.5
DF40C(2.0)-20DS-0.4V(51)	16	—	7.5	6.9	21.5	17.5
DF40C(2.0)-24DS-0.4V(51)	16	—	7.5	7.7	21.5	17.5
DF40C(2.0)-30DS-0.4V(51)	24	—	11.5	8.9	29.5	25.5
DF40C(2.0)-40DS-0.4V(51)	24	—	11.5	10.9	29.5	25.5
DF40C(2.0)-50DS-0.4V(51)	24	—	11.5	12.9	29.5	25.5
DF40C(2.0)-60DS-0.4V(51)	24	—	11.5	14.9	29.5	25.5
DF40C(2.0)-70DS-0.4V(51)	32	28.4	14.2	16.9	37.5	33.5
DF40C(2.0)-80DS-0.4V(51)	32	28.4	14.2	18.9	37.5	33.5
DF40C(2.0)-100DS-0.4V(51)	44	40.4	20.2	22.9	49.5	45.5



NOTES

8 PER REEL 4000 CONNECTORS.

9 THE DIMENSIONS IN PARENTHESES ARE FOR REFERENCE.

10 REFER TO JIS C 0806(PACKING OF COMPONENTS FOR AUTOMATIC HANDLING)

DETAIL OF PART No. LABEL IS WRITTEN IN JAPANESE.

PART No. LABEL DESCRIBES THE FOLLOWING INFORMATION FROM TOP.

PRODUCTION DATE:

PRODUCT CODE: CL684-****-51

PART NUMBER: DF40C(2.0)-*DS-0.4V(51)

NUMBER OF PIECES: 4000 PIECES

SUPPLIER NAME: HIROSE ELECTRIC CO., LTD.

11 20 TO 60 POSITIONS EMBOSSED CARRIER TAPE HAS THE SPROCKET HOLE ON ONE SIDES.

12 AFTER PACKAGING, ROLL 2 METERS OF THE REINFORCEMENT COLLAR TO OUTER CIRCUMFERENCE OF TAPE AND REEL POCKET, AND TAPE DOWN AT THE END THE COLLAR.

HRS	DRAWING NO.	EDC3-315166-02
	PART NO.	DF40C(2.0)-*DS-0.4V(51)
	CODE NO.	CL684

X-ON Electronics

Largest Supplier of Electrical and Electronic Components

Click to view similar products for [Board to Board & Mezzanine Connectors](#) category:

Click to view products by [Hirose](#) manufacturer:

Other Similar products are found below :

[589158040000018](#) [MDF7C-18P-2.54DSA\(55\)](#) [FCN-230C068-11](#) [FCN-268F012-G/BD](#) [FCN-268F036-G/BD](#) [FCN-268M012-G/0D](#) [FCN-268M024-G/1D](#) [FCN-723J004/1](#) [MIS-048-01-F-D-DP-K](#) [832-10-034-10-001000](#) [FX4C-80S-1.27DSA](#) [FCN-214Q030-G/0](#) [FCN-234P048-G/0](#) [FCN-235D050-G/C](#) [210-93-314-41-105000](#) [2-22603-0](#) [MDF7-40DP-2.54DSA\(55\)](#) [AXG720047](#) [MIT-114-03-F-D-K](#) [55323-1519](#) [DF33-2P-3.3DSA\(24\)](#) [YFT-20-05-H-03-SB-K](#) [503308-3040](#) [026-6203-PDB](#) [027-6203-PDB](#) [069159702701000](#) [10123981-102LF](#) [101A10019X](#) [55650-0588-C](#) [68682-310LF](#) [68684-306](#) [75140-7012](#) [87471-650](#) [YTW-30-07-H-Q-410-140](#) [FCN-268F024-G0D](#) [10124054-515LF](#) [68685-603](#) [8-1616154-3](#) [MIS-019-01-F-D](#) [FCN-268M024-G/3D](#) [FCN-268M036-G/BD](#) [20021832-06016C1LF](#) [KX15-20KLDL-E1000E](#) [AXE810124](#) [FCN-214J100-G/0](#) [FCN-230C068-E/S](#) [AXE812124](#) [AXE816124](#) [AXE720127](#) [354184](#)