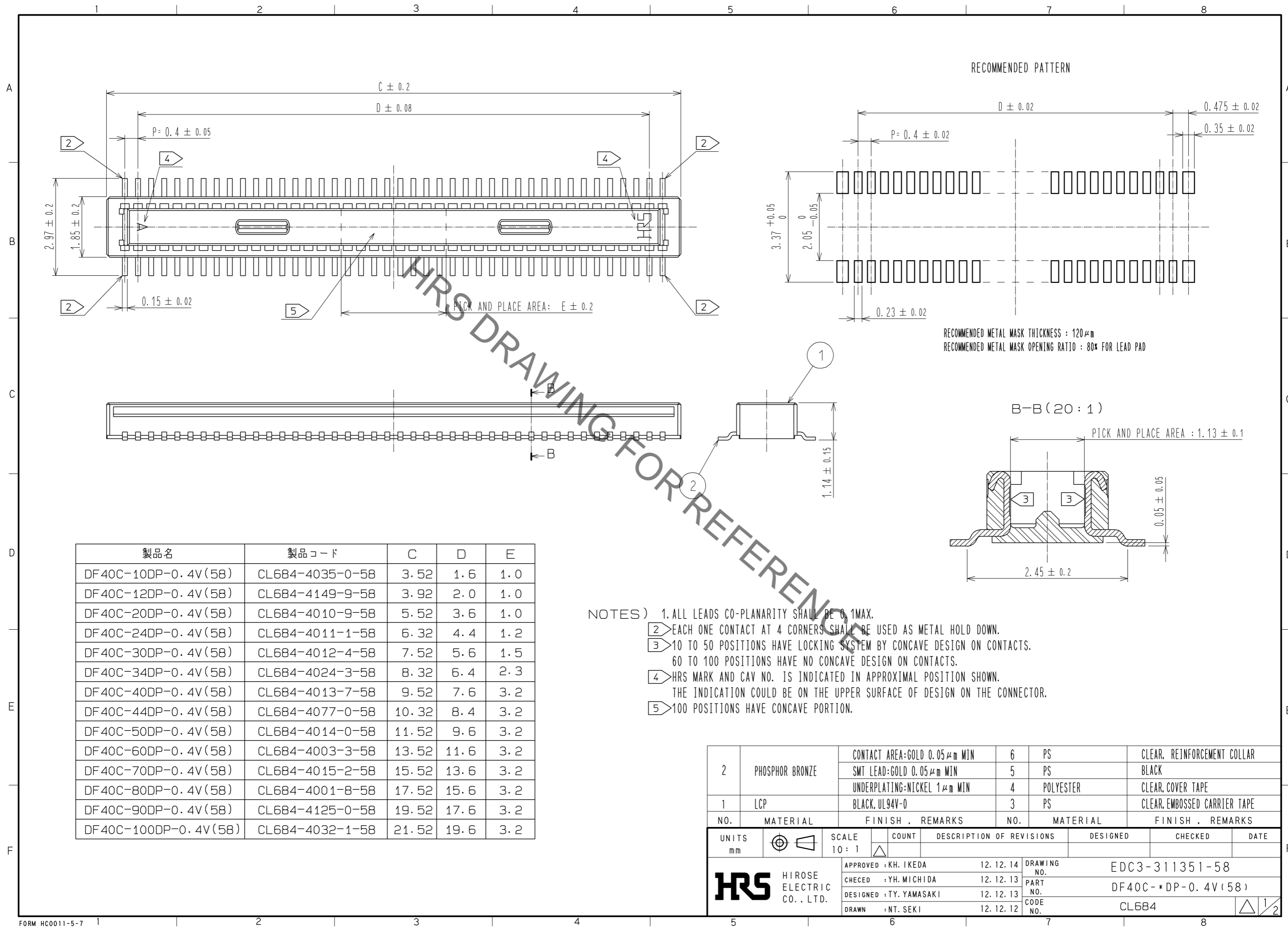


Aug.1.2021 Copyright 2021 HIROSE ELECTRIC CO., LTD. All Rights Reserved.
In case of consideration for using Automotive equipment / device which demand high reliability, kindly contact our sales window correspondents.



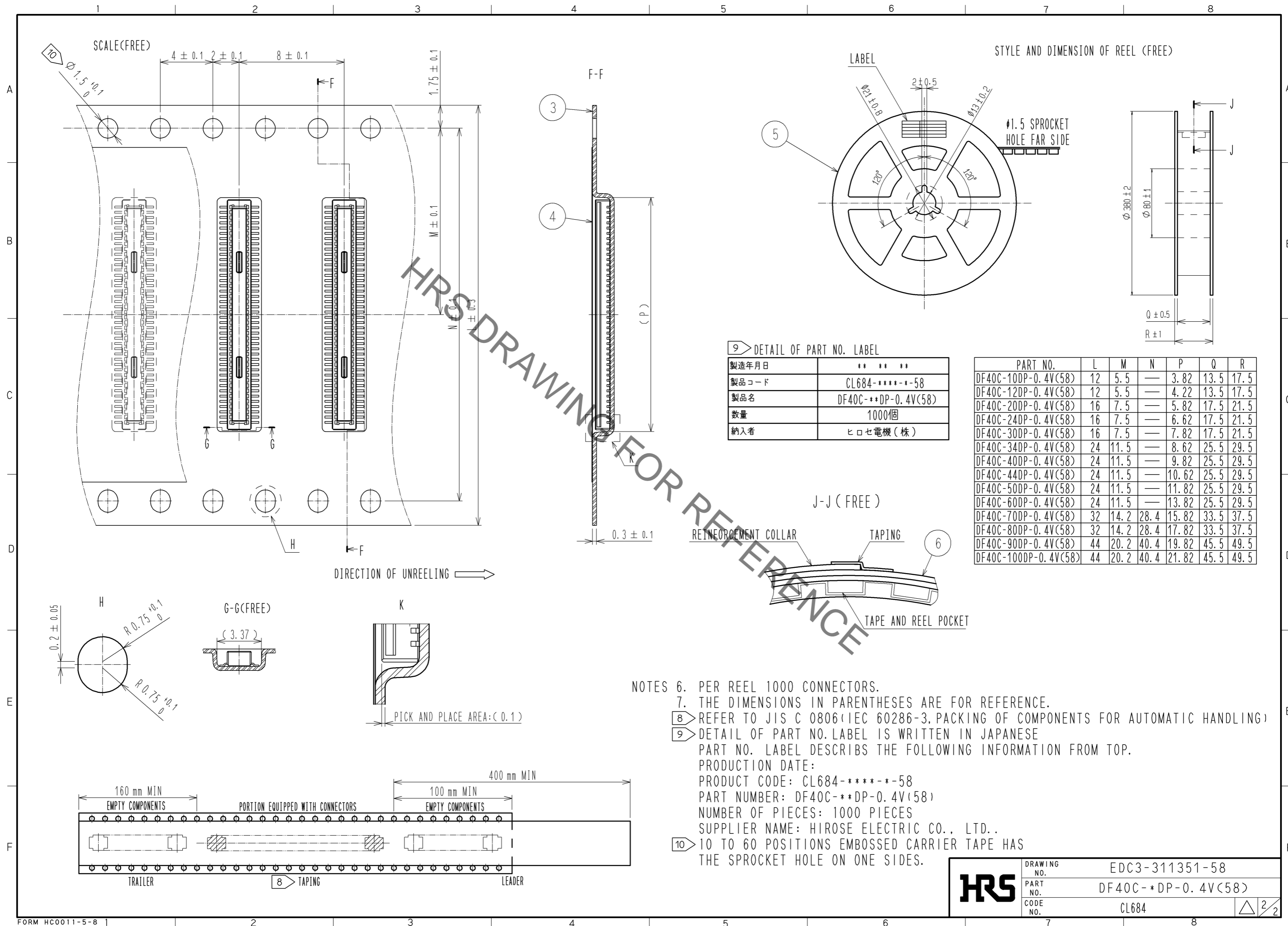
| 製品名 | 製品コード | C | D | E |
|----------------------|-----------------|-------|------|-----|
| DF40C-10DP-0.4V(58) | CL684-4035-0-58 | 3.52 | 1.6 | 1.0 |
| DF40C-12DP-0.4V(58) | CL684-4149-9-58 | 3.92 | 2.0 | 1.0 |
| DF40C-20DP-0.4V(58) | CL684-4010-9-58 | 5.52 | 3.6 | 1.0 |
| DF40C-24DP-0.4V(58) | CL684-4011-1-58 | 6.32 | 4.4 | 1.2 |
| DF40C-30DP-0.4V(58) | CL684-4012-4-58 | 7.52 | 5.6 | 1.5 |
| DF40C-34DP-0.4V(58) | CL684-4024-3-58 | 8.32 | 6.4 | 2.3 |
| DF40C-40DP-0.4V(58) | CL684-4013-7-58 | 9.52 | 7.6 | 3.2 |
| DF40C-44DP-0.4V(58) | CL684-4077-0-58 | 10.32 | 8.4 | 3.2 |
| DF40C-50DP-0.4V(58) | CL684-4014-0-58 | 11.52 | 9.6 | 3.2 |
| DF40C-60DP-0.4V(58) | CL684-4003-3-58 | 13.52 | 11.6 | 3.2 |
| DF40C-70DP-0.4V(58) | CL684-4015-2-58 | 15.52 | 13.6 | 3.2 |
| DF40C-80DP-0.4V(58) | CL684-4001-8-58 | 17.52 | 15.6 | 3.2 |
| DF40C-90DP-0.4V(58) | CL684-4125-0-58 | 19.52 | 17.6 | 3.2 |
| DF40C-100DP-0.4V(58) | CL684-4032-1-58 | 21.52 | 19.6 | 3.2 |

- NOTES) 1. ALL LEADS CO-PLANARITY SHALL BE 0.1MAX.
 2. EACH ONE CONTACT AT 4 CORNERS SHALL BE USED AS METAL HOLD DOWN.
 3. 10 TO 50 POSITIONS HAVE LOCKING SYSTEM BY CONCAVE DESIGN ON CONTACTS.
 60 TO 100 POSITIONS HAVE NO CONCAVE DESIGN ON CONTACTS.
 4. HRS MARK AND CAV NO. IS INDICATED IN APPROXIMAL POSITION SHOWN.
 THE INDICATION COULD BE ON THE UPPER SURFACE OF DESIGN ON THE CONNECTOR.
 5. 100 POSITIONS HAVE CONCAVE PORTION.

| NO. | MATERIAL | FINISH | REMARKS | NO. | MATERIAL | FINISH | REMARKS |
|-----|-----------------|-------------------------------|---------|-----------|----------|-----------------------|---------|
| 2 | PHOSPHOR BRONZE | CONTACT AREA:GOLD 0.05 μm MIN | 6 | PS | CLEAR | REINFORCEMENT COLLAR | |
| | | SMT LEAD:GOLD 0.05 μm MIN | 5 | PS | BLACK | | |
| | | UNDERPLATING:NICKEL 1 μm MIN | 4 | POLYESTER | CLEAR | COVER TAPE | |
| 1 | LCP | BLACK, UL94V-0 | 3 | PS | CLEAR | EMBOSSED CARRIER TAPE | |

| UNITS | SCALE | COUNT | DESCRIPTION OF REVISIONS | DESIGNED | CHECKED | DATE |
|-------------------------|-------|-------|--------------------------|-----------------------------|---------|------|
| mm | 10:1 | △ | | | | |
| APPROVED : KH. IKEDA | | | 12.12.14 | DRAWING NO. EDC3-311351-58 | | |
| CHECKED : YH. MICHIDA | | | 12.12.13 | PART NO. DF40C-*DP-0.4V(58) | | |
| DESIGNED : TY. YAMASAKI | | | 12.12.13 | CODE NO. CL684 | | |
| DRAWN : NT. SEKI | | | 12.12.12 | | | |

Aug.1.2021 Copyright 2021 HIROSE ELECTRIC CO., LTD. All Rights Reserved.
In case of consideration for using Automotive equipment / device which demand high reliability, kindly contact our sales window correspondents.



| | | |
|------------|-------------|---------------------|
| HRS | DRAWING NO. | EDC3-311351-58 |
| | PART NO. | DF40C-**DP-0.4V(58) |
| | CODE NO. | CL684 |

2/2

X-ON Electronics

Largest Supplier of Electrical and Electronic Components

Click to view similar products for [Board to Board & Mezzanine Connectors](#) category:

Click to view products by [Hirose](#) manufacturer:

Other Similar products are found below :

[589158040000018](#) [MDF7C-18P-2.54DSA\(55\)](#) [FCN-230C068-11](#) [FCN-268F012-G/BD](#) [FCN-268F036-G/BD](#) [FCN-268M012-G/0D](#) [FCN-268M024-G/1D](#) [FCN-723J004/1](#) [MIS-048-01-F-D-DP-K](#) [832-10-034-10-001000](#) [FX4C-80S-1.27DSA](#) [FCN-214Q030-G/0](#) [FCN-234P048-G/0](#) [FCN-235D050-G/C](#) [210-93-314-41-105000](#) [2-22603-0](#) [MDF7-40DP-2.54DSA\(55\)](#) [AXG720047](#) [MIT-114-03-F-D-K](#) [55323-1519](#) [DF33-2P-3.3DSA\(24\)](#) [YFT-20-05-H-03-SB-K](#) [503308-3040](#) [026-6203-PDB](#) [027-6203-PDB](#) [069159702701000](#) [10123981-102LF](#) [101A10019X](#) [55650-0588-C](#) [68682-310LF](#) [68684-306](#) [75140-7012](#) [87471-650](#) [YTW-30-07-H-Q-410-140](#) [FCN-268F024-G0D](#) [10124054-515LF](#) [68685-603](#) [8-1616154-3](#) [MIS-019-01-F-D](#) [FCN-268M024-G/3D](#) [FCN-268M036-G/BD](#) [20021832-06016C1LF](#) [KX15-20KLDL-E1000E](#) [AXE810124](#) [FCN-214J100-G/0](#) [FCN-230C068-E/S](#) [AXE812124](#) [AXE816124](#) [AXE720127](#) [354184](#)