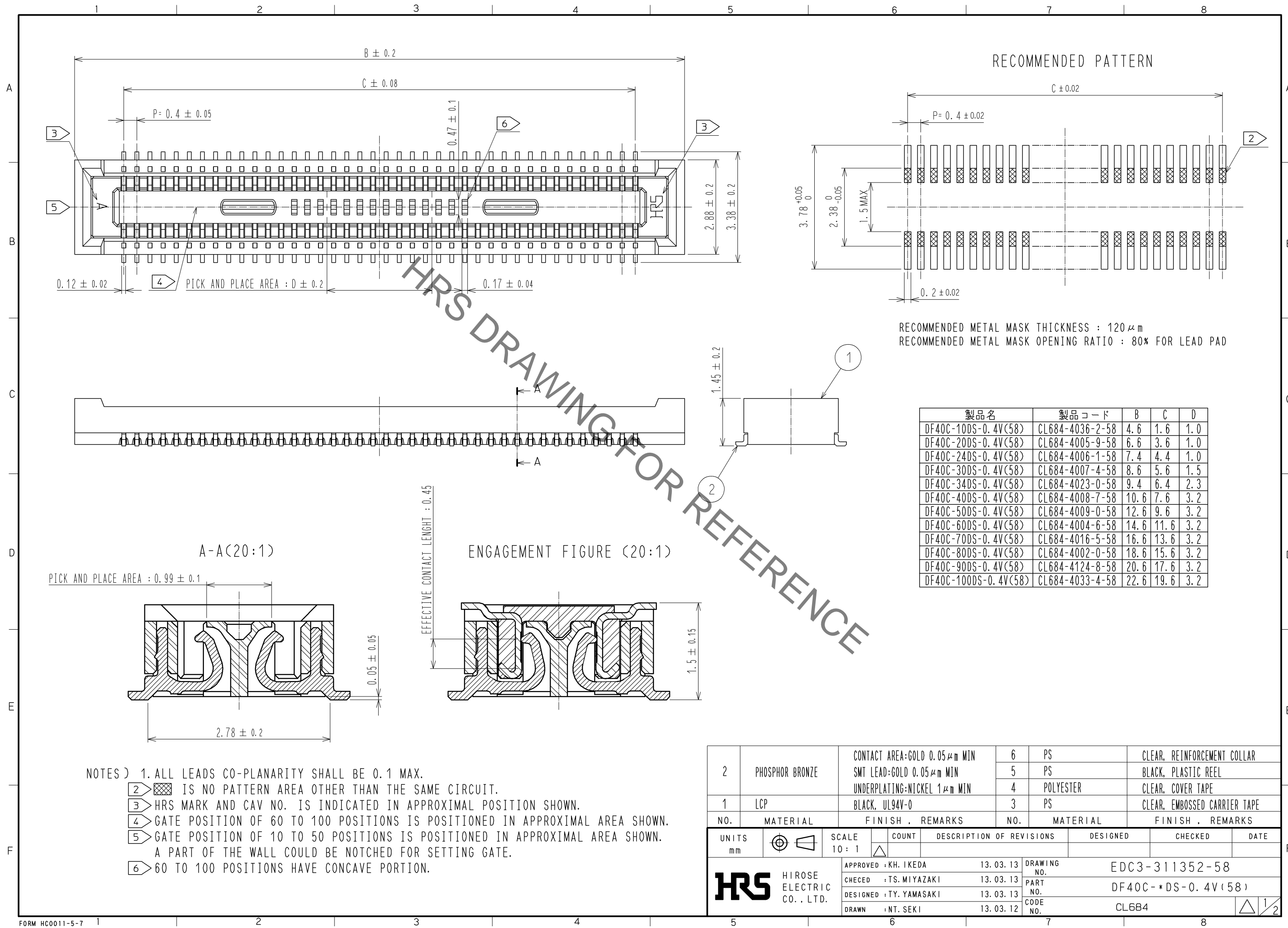


Aug.1.2021 Copyright 2021 HIROSE ELECTRIC CO., LTD. All Rights Reserved.
In case of consideration for using Automotive equipment / device which demand high reliability, kindly contact our sales window correspondents.



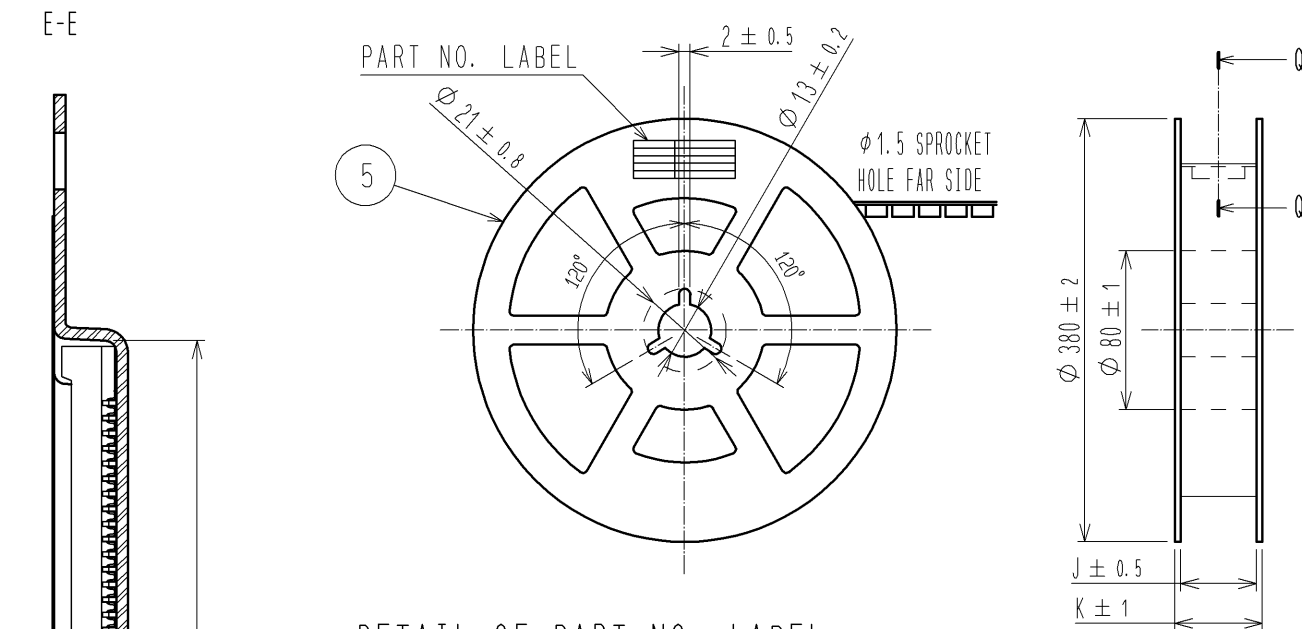
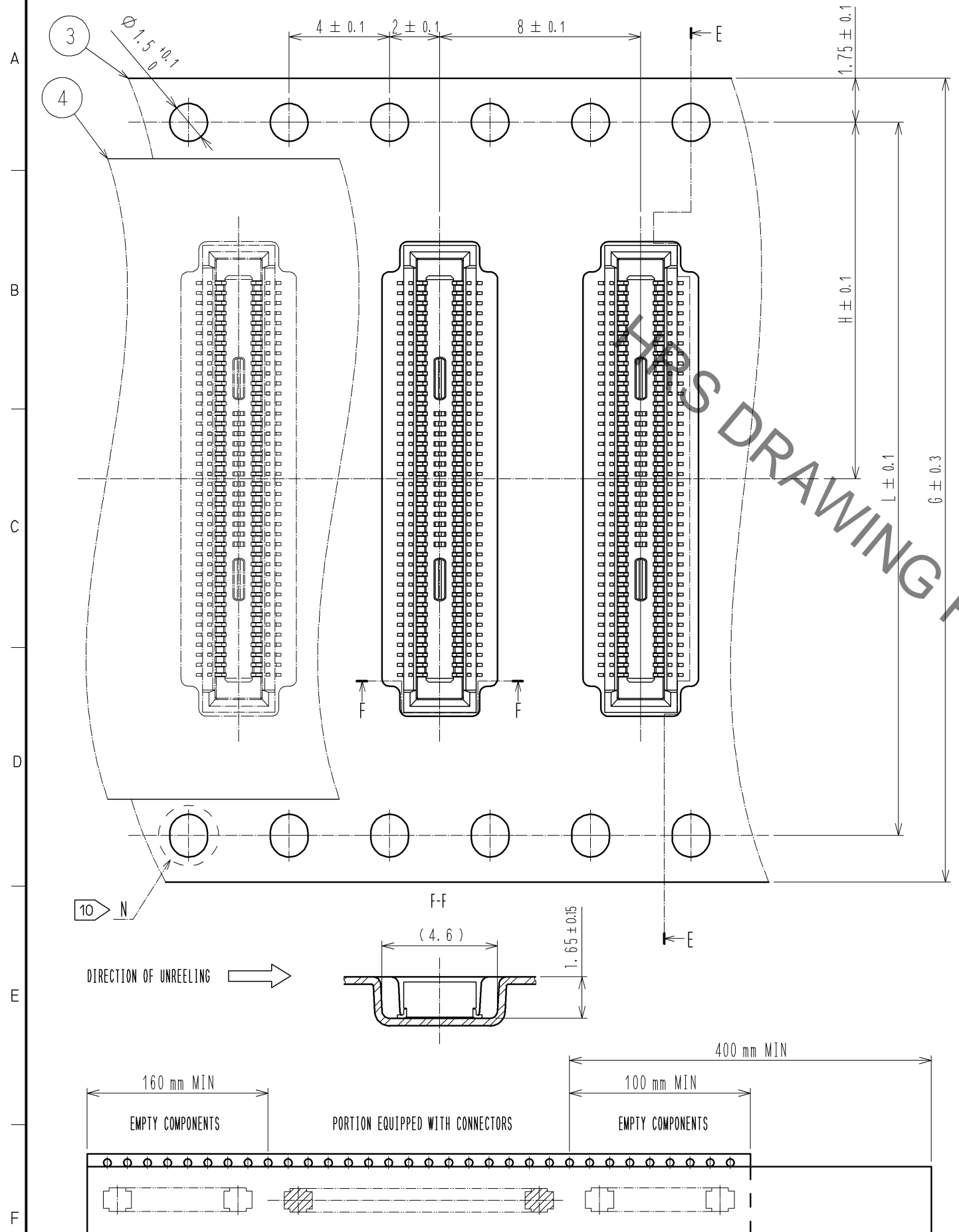
NO.	MATERIAL	FINISH	REMARKS	NO.	MATERIAL	FINISH	REMARKS
2	PHOSPHOR BRONZE		CONTACT AREA:GOLD 0.05 μm MIN SMT LEAD:GOLD 0.05 μm MIN UNDERPLATING:NICKEL 1 μm MIN	6	PS		CLEAR, REINFORCEMENT COLLAR
				5	PS		BLACK, PLASTIC REEL
				4	POLYESTER		CLEAR, COVER TAPE
1	LCP		BLACK, UL94V-0	3	PS		CLEAR, EMBOSSED CARRIER TAPE

UNITS	SCALE	COUNT	DESCRIPTION OF REVISIONS	DESIGNED	CHECKED	DATE
mm	10:1	△				
APPROVED : KH. IKEDA			13.03.13	DRAWING NO. EDC3-311352-58		
CHECKED : TS. MIYAZAKI			13.03.13	PART NO. DF40C-*DS-0.4V(58)		
DESIGNED : TY. YAMASAKI			13.03.13	CODE NO. CL684		
DRAWN : NT. SEKI			13.03.12			

Aug.1.2021 Copyright 2021 HIROSE ELECTRIC CO., LTD. All Rights Reserved.
In case of consideration for using Automotive equipment / device which demand high reliability, kindly contact our sales window correspondents.

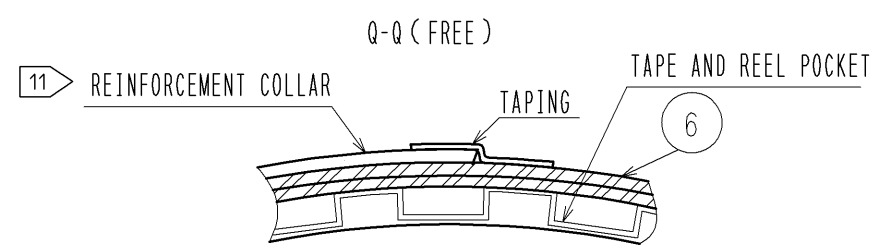
EMBOSSED CARRIER TAPE PACKAGING (5:1)

STYLE AND DIMENSION OF REEL(FREE SIZE)



DETAIL OF PART NO. LABEL

製造年月日	** ** *	DATE OF MANUFACTURED
製品コード	CL684-*****-58	CODE NO.
製品名	DF40C-*DS-0.4V(58)	PART NO.
数量	1000	QUANTITY
納入者	ヒロセ電機(株)	SUPPLIER



PART NO.	G	H	J	K	L	M
DF40C-10DS-0.4V(58)	16	7.5	17.5	21.5	—	4.9
DF40C-20DS-0.4V(58)	16	7.5	17.5	21.5	—	6.9
DF40C-24DS-0.4V(58)	16	7.5	17.5	21.5	—	7.7
DF40C-30DS-0.4V(58)	24	11.5	25.5	29.5	—	8.9
DF40C-34DS-0.4V(58)	24	11.5	25.5	29.5	—	8.9
DF40C-40DS-0.4V(58)	24	11.5	25.5	29.5	—	10.9
DF40C-50DS-0.4V(58)	24	11.5	25.5	29.5	—	12.9
DF40C-60DS-0.4V(58)	24	11.5	25.5	29.5	—	14.9
DF40C-70DS-0.4V(58)	32	14.2	33.5	37.5	28.4	16.9
DF40C-80DS-0.4V(58)	32	14.2	33.5	37.5	28.4	18.9
DF40C-90DS-0.4V(58)	44	20.2	45.5	49.5	40.4	20.9
DF40C-100DS-0.4V(58)	44	20.2	45.5	49.5	40.4	22.9

- NOTES)
- 7. PER REEL 1000 CONNECTORS.
 - 8. THE DIMENSIONS IN PARENTHESES ARE FOR REFERENCE.
 - 9 REFER TO JIS C 0806(IEC 60286-3, PACKING OF COMPONENTS FOR AUTOMATIC HANDLING)
 - 10 10 TO 60 POSITIONS EMBOSSED CARRIER TAPE HAS THE SPROCKET HOLE ON ONE SIDES.
 - 11 AFTER PACKAGING, ROLL 2 METERS OF THE REINFORCEMENT COLLAR TO OUTER CIRCUMFERENCE OF TAPE AND REEL POCKET, AND TAPE DOWN AT THE END THE COLLAR.

HRS	DRAWING NO.	EDC3-311352-58
	PART NO.	DF40C-*DS-0.4V(58)
	CODE NO.	CL684

X-ON Electronics

Largest Supplier of Electrical and Electronic Components

Click to view similar products for [Board to Board & Mezzanine Connectors](#) category:

Click to view products by [Hirose](#) manufacturer:

Other Similar products are found below :

[589158040000018](#) [MDF7C-18P-2.54DSA\(55\)](#) [FCN-230C068-11](#) [FCN-268F012-G/BD](#) [FCN-268F036-G/BD](#) [FCN-268M012-G/0D](#) [FCN-268M024-G/1D](#) [FCN-723J004/1](#) [MIS-048-01-F-D-DP-K](#) [832-10-034-10-001000](#) [FX4C-80S-1.27DSA](#) [FCN-214Q030-G/0](#) [FCN-234P048-G/0](#) [FCN-235D050-G/C](#) [210-93-314-41-105000](#) [2-22603-0](#) [MDF7-40DP-2.54DSA\(55\)](#) [AXG720047](#) [MIT-114-03-F-D-K](#) [55323-1519](#) [DF33-2P-3.3DSA\(24\)](#) [YFT-20-05-H-03-SB-K](#) [503308-3040](#) [026-6203-PDB](#) [027-6203-PDB](#) [069159702701000](#) [10123981-102LF](#) [101A10019X](#) [55650-0588-C](#) [68682-310LF](#) [68684-306](#) [75140-7012](#) [87471-650](#) [YTW-30-07-H-Q-410-140](#) [FCN-268F024-G0D](#) [10124054-515LF](#) [68685-603](#) [8-1616154-3](#) [MIS-019-01-F-D](#) [FCN-268M024-G/3D](#) [FCN-268M036-G/BD](#) [20021832-06016C1LF](#) [KX15-20KLDL-E1000E](#) [AXE810124](#) [FCN-214J100-G/0](#) [FCN-230C068-E/S](#) [AXE812124](#) [AXE816124](#) [AXE720127](#) [354184](#)