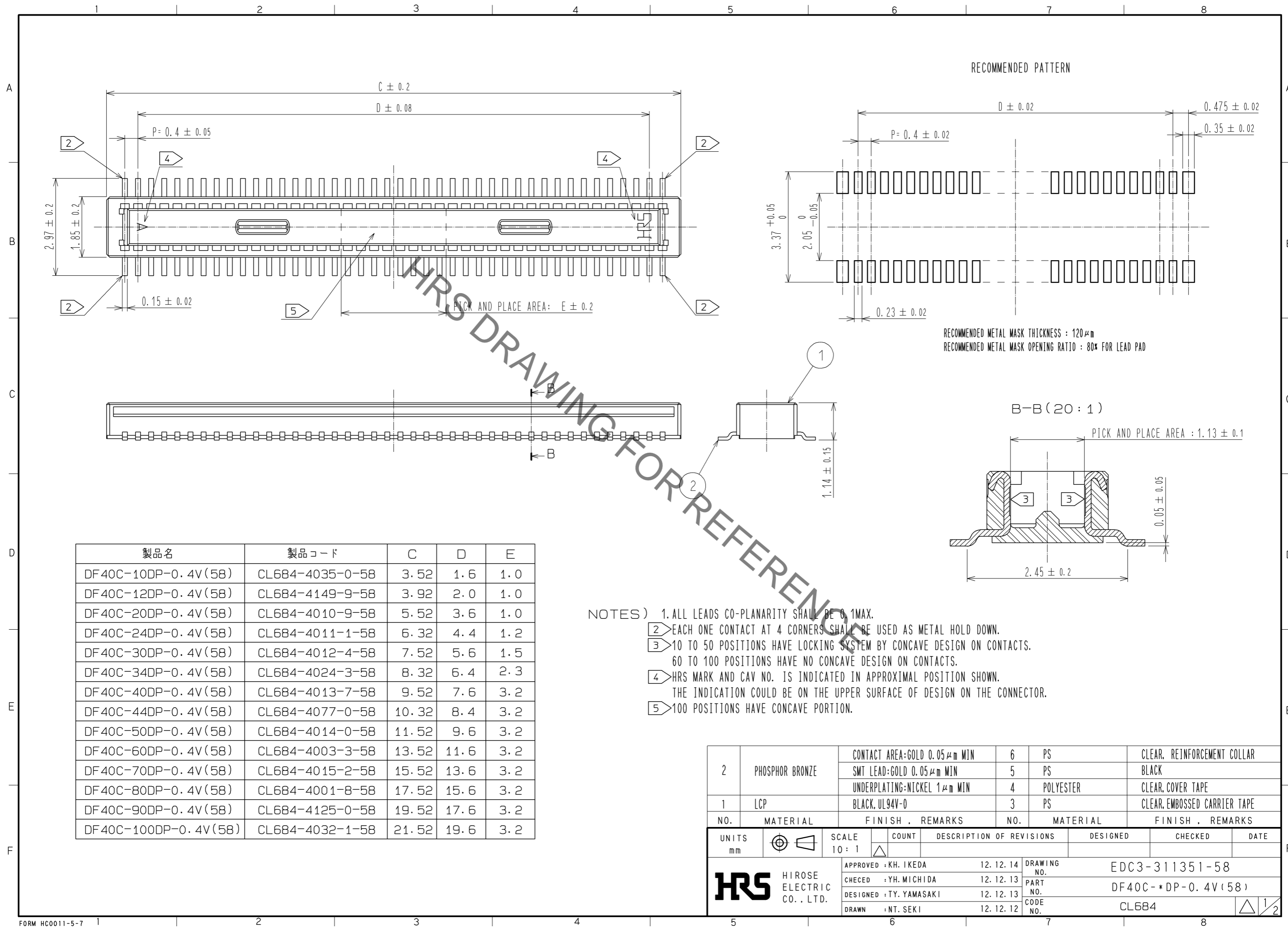


Aug.1.2021 Copyright 2021 HIROSE ELECTRIC CO., LTD. All Rights Reserved.
In case of consideration for using Automotive equipment / device which demand high reliability, kindly contact our sales window correspondents.



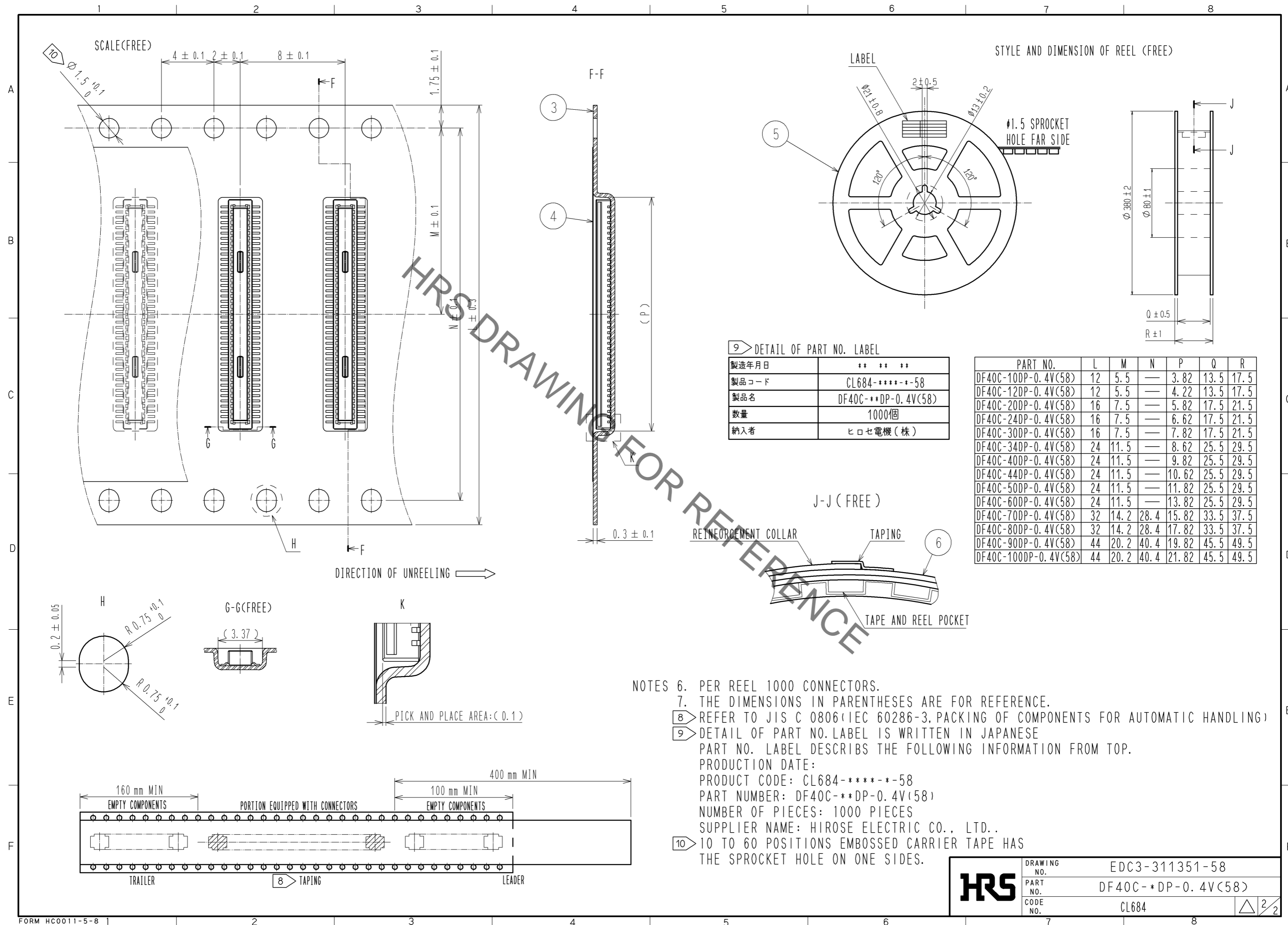
製品名	製品コード	C	D	E
DF40C-10DP-0.4V(58)	CL684-4035-0-58	3.52	1.6	1.0
DF40C-12DP-0.4V(58)	CL684-4149-9-58	3.92	2.0	1.0
DF40C-20DP-0.4V(58)	CL684-4010-9-58	5.52	3.6	1.0
DF40C-24DP-0.4V(58)	CL684-4011-1-58	6.32	4.4	1.2
DF40C-30DP-0.4V(58)	CL684-4012-4-58	7.52	5.6	1.5
DF40C-34DP-0.4V(58)	CL684-4024-3-58	8.32	6.4	2.3
DF40C-40DP-0.4V(58)	CL684-4013-7-58	9.52	7.6	3.2
DF40C-44DP-0.4V(58)	CL684-4077-0-58	10.32	8.4	3.2
DF40C-50DP-0.4V(58)	CL684-4014-0-58	11.52	9.6	3.2
DF40C-60DP-0.4V(58)	CL684-4003-3-58	13.52	11.6	3.2
DF40C-70DP-0.4V(58)	CL684-4015-2-58	15.52	13.6	3.2
DF40C-80DP-0.4V(58)	CL684-4001-8-58	17.52	15.6	3.2
DF40C-90DP-0.4V(58)	CL684-4125-0-58	19.52	17.6	3.2
DF40C-100DP-0.4V(58)	CL684-4032-1-58	21.52	19.6	3.2

- NOTES) 1. ALL LEADS CO-PLANARITY SHALL BE 0.1MAX.
 2. EACH ONE CONTACT AT 4 CORNERS SHALL BE USED AS METAL HOLD DOWN.
 3. 10 TO 50 POSITIONS HAVE LOCKING SYSTEM BY CONCAVE DESIGN ON CONTACTS.
 60 TO 100 POSITIONS HAVE NO CONCAVE DESIGN ON CONTACTS.
 4. HRS MARK AND CAV NO. IS INDICATED IN APPROXIMAL POSITION SHOWN.
 THE INDICATION COULD BE ON THE UPPER SURFACE OF DESIGN ON THE CONNECTOR.
 5. 100 POSITIONS HAVE CONCAVE PORTION.

NO.	MATERIAL	FINISH	REMARKS	NO.	MATERIAL	FINISH	REMARKS
2	PHOSPHOR BRONZE	CONTACT AREA:GOLD 0.05μm MIN	6	PS	CLEAR	REINFORCEMENT COLLAR	
		SMT LEAD:GOLD 0.05μm MIN	5	PS	BLACK		
		UNDERPLATING:NICKEL 1μm MIN	4	POLYESTER	CLEAR	COVER TAPE	
1	LCP	BLACK, UL94V-0	3	PS	CLEAR	EMBOSSED CARRIER TAPE	

UNITS	SCALE	COUNT	DESCRIPTION OF REVISIONS	DESIGNED	CHECKED	DATE
mm	10:1	△				
APPROVED : KH. IKEDA			12.12.14	DRAWING NO. EDC3-311351-58		
CHECKED : YH. MICHIDA			12.12.13	PART NO. DF40C-*DP-0.4V(58)		
DESIGNED : TY. YAMASAKI			12.12.13	CODE NO. CL684		
DRAWN : NT. SEKI			12.12.12			

Aug.1.2021 Copyright 2021 HIROSE ELECTRIC CO., LTD. All Rights Reserved.
In case of consideration for using Automotive equipment / device which demand high reliability, kindly contact our sales window correspondents.



HRS	DRAWING NO.	EDC3-311351-58
	PART NO.	DF40C-**DP-0.4V(58)
	CODE NO.	CL684

2/2

X-ON Electronics

Largest Supplier of Electrical and Electronic Components

Click to view similar products for [Board to Board & Mezzanine Connectors](#) category:

Click to view products by [Hirose](#) manufacturer:

Other Similar products are found below :

[589158040000018](#) [MDF7C-18P-2.54DSA\(55\)](#) [FCN-230C068-11](#) [FCN-268F012-G/BD](#) [FCN-268F036-G/BD](#) [FCN-268M012-G/0D](#) [FCN-268M024-G/1D](#) [FCN-723J004/1](#) [MIS-048-01-F-D-DP-K](#) [832-10-034-10-001000](#) [FX4C-80S-1.27DSA](#) [FCN-214Q030-G/0](#) [FCN-234P048-G/0](#) [FCN-235D050-G/C](#) [210-93-314-41-105000](#) [2-22603-0](#) [MDF7-40DP-2.54DSA\(55\)](#) [AXG720047](#) [MIT-114-03-F-D-K](#) [55323-1519](#) [DF33-2P-3.3DSA\(24\)](#) [YFT-20-05-H-03-SB-K](#) [503308-3040](#) [026-6203-PDB](#) [027-6203-PDB](#) [069159702701000](#) [10123981-102LF](#) [101A10019X](#) [55650-0588-C](#) [68682-310LF](#) [68684-306](#) [75140-7012](#) [87471-650](#) [YTW-30-07-H-Q-410-140](#) [FCN-268F024-G0D](#) [10124054-515LF](#) [68685-603](#) [8-1616154-3](#) [MIS-019-01-F-D](#) [FCN-268M024-G/3D](#) [FCN-268M036-G/BD](#) [20021832-06016C1LF](#) [KX15-20KLDL-E1000E](#) [AXE810124](#) [FCN-214J100-G/0](#) [FCN-230C068-E/S](#) [AXE812124](#) [AXE816124](#) [AXE720127](#) [354184](#)