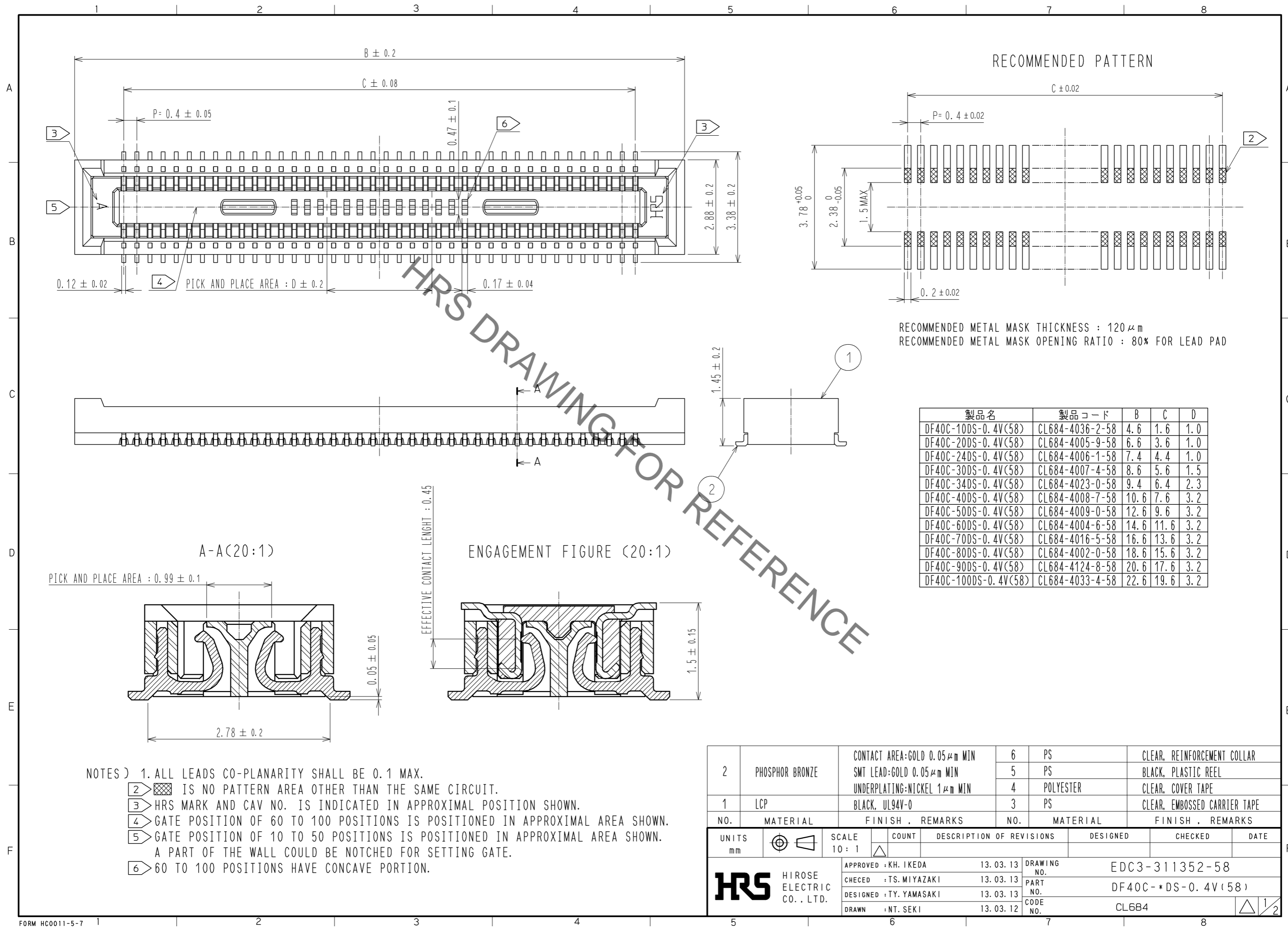


Aug.1.2021 Copyright 2021 HIROSE ELECTRIC CO., LTD. All Rights Reserved.
In case of consideration for using Automotive equipment / device which demand high reliability, kindly contact our sales window correspondents.



RECOMMENDED METAL MASK THICKNESS : 120 μm
RECOMMENDED METAL MASK OPENING RATIO : 80% FOR LEAD PAD

製品名	製品コード	B	C	D
DF40C-10DS-0.4V(58)	CL684-4036-2-58	4.6	1.6	1.0
DF40C-20DS-0.4V(58)	CL684-4005-9-58	6.6	3.6	1.0
DF40C-24DS-0.4V(58)	CL684-4006-1-58	7.4	4.4	1.0
DF40C-30DS-0.4V(58)	CL684-4007-4-58	8.6	5.6	1.5
DF40C-34DS-0.4V(58)	CL684-4023-0-58	9.4	6.4	2.3
DF40C-40DS-0.4V(58)	CL684-4008-7-58	10.6	7.6	3.2
DF40C-50DS-0.4V(58)	CL684-4009-0-58	12.6	9.6	3.2
DF40C-60DS-0.4V(58)	CL684-4004-6-58	14.6	11.6	3.2
DF40C-70DS-0.4V(58)	CL684-4016-5-58	16.6	13.6	3.2
DF40C-80DS-0.4V(58)	CL684-4002-0-58	18.6	15.6	3.2
DF40C-90DS-0.4V(58)	CL684-4124-8-58	20.6	17.6	3.2
DF40C-100DS-0.4V(58)	CL684-4033-4-58	22.6	19.6	3.2

- NOTES) 1. ALL LEADS CO-PLANARITY SHALL BE 0.1 MAX.
 2. IS NO PATTERN AREA OTHER THAN THE SAME CIRCUIT.
 3. HRS MARK AND CAV NO. IS INDICATED IN APPROXIMAL POSITION SHOWN.
 4. GATE POSITION OF 60 TO 100 POSITIONS IS POSITIONED IN APPROXIMAL AREA SHOWN.
 5. GATE POSITION OF 10 TO 50 POSITIONS IS POSITIONED IN APPROXIMAL AREA SHOWN.
 A PART OF THE WALL COULD BE NOTCHED FOR SETTING GATE.
 6. 60 TO 100 POSITIONS HAVE CONCAVE PORTION.

NO.	MATERIAL	FINISH . REMARKS	NO.	MATERIAL	FINISH . REMARKS
2	PHOSPHOR BRONZE	CONTACT AREA:GOLD 0.05 μm MIN SMT LEAD:GOLD 0.05 μm MIN UNDERPLATING:NICKEL 1 μm MIN	6	PS	CLEAR, REINFORCEMENT COLLAR
			5	PS	BLACK, PLASTIC REEL
			4	POLYESTER	CLEAR, COVER TAPE
1	LCP	BLACK, UL94V-0	3	PS	CLEAR, EMBOSSED CARRIER TAPE

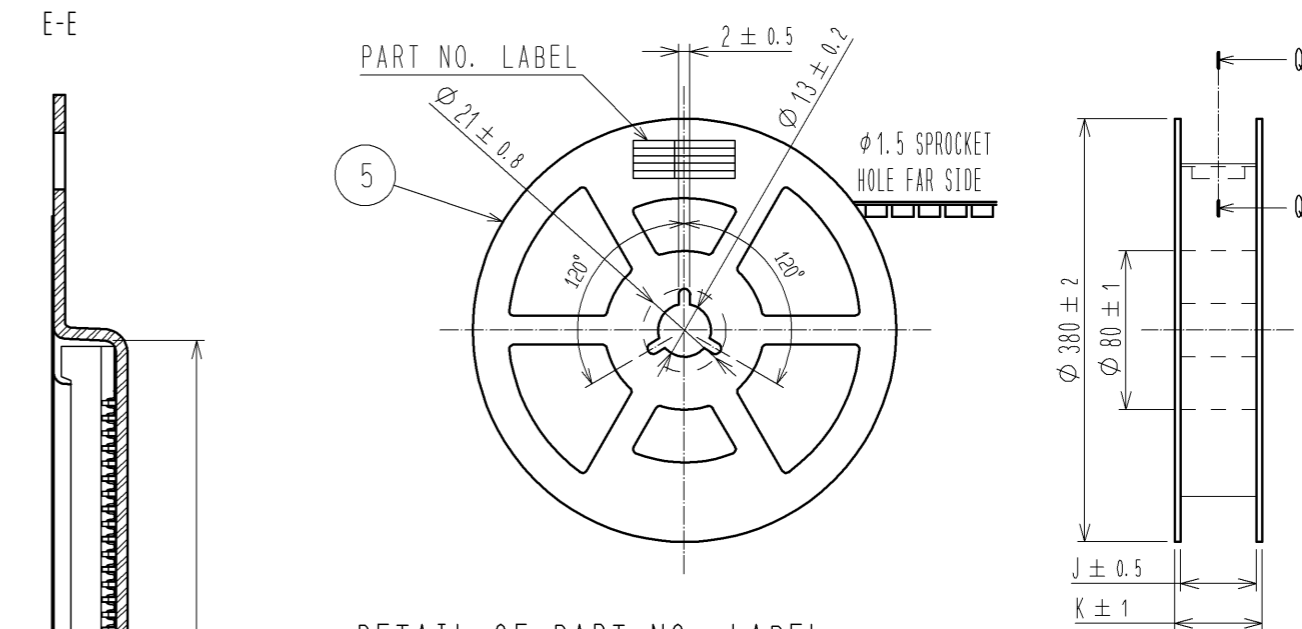
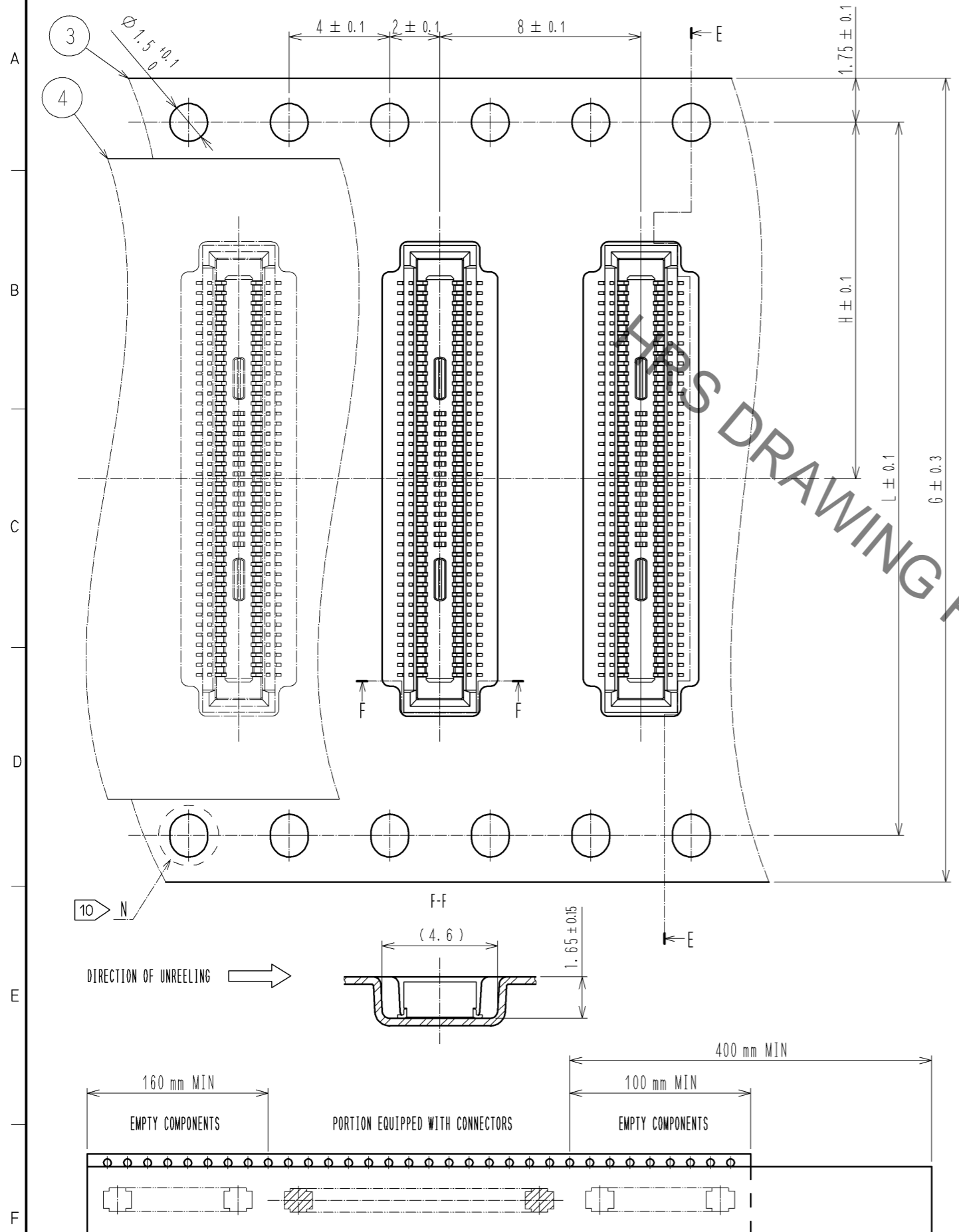
UNITS	SCALE	COUNT	DESCRIPTION OF REVISIONS	DESIGNED	CHECKED	DATE
mm	10:1	△	APPROVED : KH. IKEDA 13.03.13			
			CHECED : TS. MIYAZAKI 13.03.13			
			DESIGNED : TY. YAMASAKI 13.03.13			
			DRAWN : NT. SEKI 13.03.12			

DRAWING NO.	PART NO.	CODE NO.
EDC3-311352-58	DF40C-*DS-0.4V(58)	CL684

Aug.1.2021 Copyright 2021 HIROSE ELECTRIC CO., LTD. All Rights Reserved.
In case of consideration for using Automotive equipment / device which demand high reliability, kindly contact our sales window correspondents.

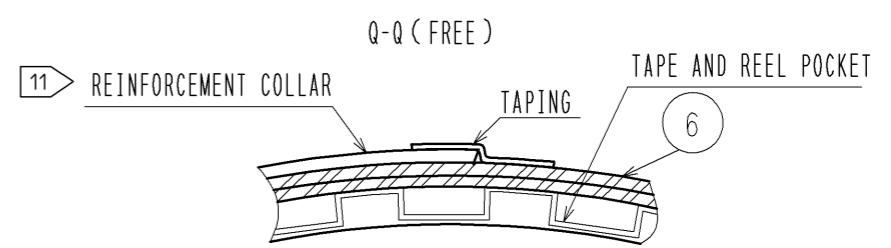
EMBOSSED CARRIER TAPE PACKAGING (5:1)

STYLE AND DIMENSION OF REEL(FREE SIZE)



DETAIL OF PART NO. LABEL

製造年月日	** ** *	DATE OF MANUFACTURED
製品コード	CL684-****-58	CODE NO.
製品名	DF40C-*DS-0.4V(58)	PART NO.
数量	1000	QUANTITY
納入者	ヒロセ電機(株)	SUPPLIER



PART NO.	G	H	J	K	L	M
DF40C-10DS-0.4V(58)	16	7.5	17.5	21.5	-	4.9
DF40C-20DS-0.4V(58)	16	7.5	17.5	21.5	-	6.9
DF40C-24DS-0.4V(58)	16	7.5	17.5	21.5	-	7.7
DF40C-30DS-0.4V(58)	24	11.5	25.5	29.5	-	8.9
DF40C-34DS-0.4V(58)	24	11.5	25.5	29.5	-	8.9
DF40C-40DS-0.4V(58)	24	11.5	25.5	29.5	-	10.9
DF40C-50DS-0.4V(58)	24	11.5	25.5	29.5	-	12.9
DF40C-60DS-0.4V(58)	24	11.5	25.5	29.5	-	14.9
DF40C-70DS-0.4V(58)	32	14.2	33.5	37.5	28.4	16.9
DF40C-80DS-0.4V(58)	32	14.2	33.5	37.5	28.4	18.9
DF40C-90DS-0.4V(58)	44	20.2	45.5	49.5	40.4	20.9
DF40C-100DS-0.4V(58)	44	20.2	45.5	49.5	40.4	22.9

- NOTES)
- 7. PER REEL 1000 CONNECTORS.
 - 8. THE DIMENSIONS IN PARENTHESES ARE FOR REFERENCE.
 - 9 REFER TO JIS C 0806(IEC 60286-3, PACKING OF COMPONENTS FOR AUTOMATIC HANDLING)
 - 10 10 TO 60 POSITIONS EMBOSSED CARRIER TAPE HAS THE SPROCKET HOLE ON ONE SIDES.
 - 11 AFTER PACKAGING, ROLL 2 METERS OF THE REINFORCEMENT COLLAR TO OUTER CIRCUMFERENCE OF TAPE AND REEL POCKET, AND TAPE DOWN AT THE END THE COLLAR.

HRS	DRAWING NO.	EDC3-311352-58
	PART NO.	DF40C-*DS-0.4V(58)
	CODE NO.	CL684

X-ON Electronics

Largest Supplier of Electrical and Electronic Components

Click to view similar products for [Board to Board & Mezzanine Connectors](#) category:

Click to view products by [Hirose](#) manufacturer:

Other Similar products are found below :

[589158040000018](#) [MDF7C-18P-2.54DSA\(55\)](#) [FCN-230C068-11](#) [FCN-268F012-G/BD](#) [FCN-268F036-G/BD](#) [FCN-268M012-G/0D](#) [FCN-268M024-G/1D](#) [FCN-723J004/1](#) [MIS-048-01-F-D-DP-K](#) [832-10-034-10-001000](#) [FX4C-80S-1.27DSA](#) [FCN-214Q030-G/0](#) [FCN-234P048-G/0](#) [FCN-235D050-G/C](#) [210-93-314-41-105000](#) [2-22603-0](#) [MDF7-40DP-2.54DSA\(55\)](#) [AXG720047](#) [MIT-114-03-F-D-K](#) [55323-1519](#) [DF33-2P-3.3DSA\(24\)](#) [YFT-20-05-H-03-SB-K](#) [503308-3040](#) [026-6203-PDB](#) [027-6203-PDB](#) [069159702701000](#) [10123981-102LF](#) [101A10019X](#) [55650-0588-C](#) [68682-310LF](#) [68684-306](#) [75140-7012](#) [87471-650](#) [YTW-30-07-H-Q-410-140](#) [FCN-268F024-G0D](#) [10124054-515LF](#) [68685-603](#) [8-1616154-3](#) [MIS-019-01-F-D](#) [FCN-268M024-G/3D](#) [FCN-268M036-G/BD](#) [20021832-06016C1LF](#) [KX15-20KLDL-E1000E](#) [AXE810124](#) [FCN-214J100-G/0](#) [FCN-230C068-E/S](#) [AXE812124](#) [AXE816124](#) [AXE720127](#) [354184](#)