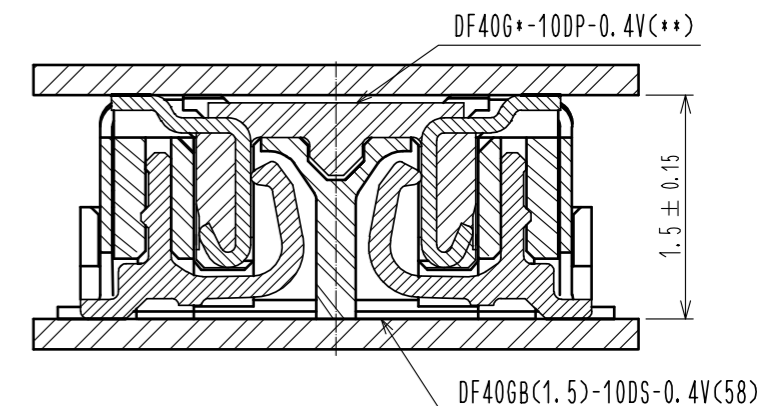
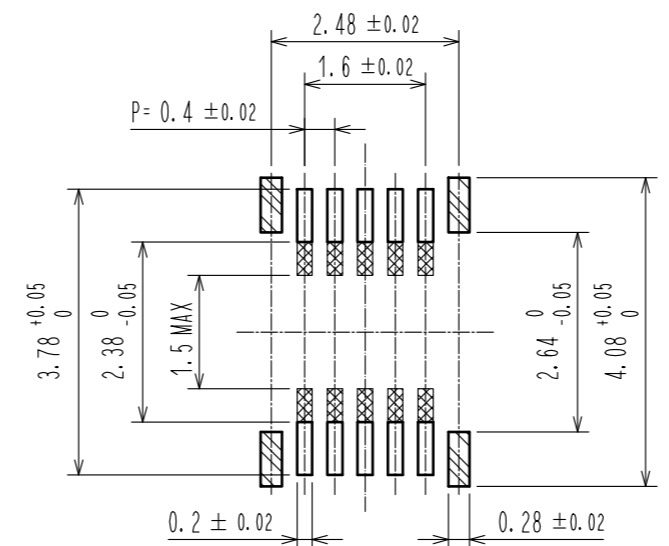
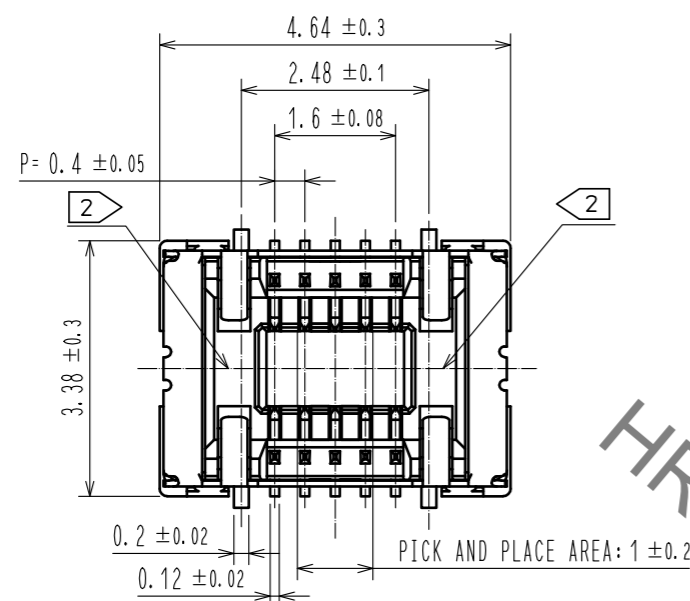


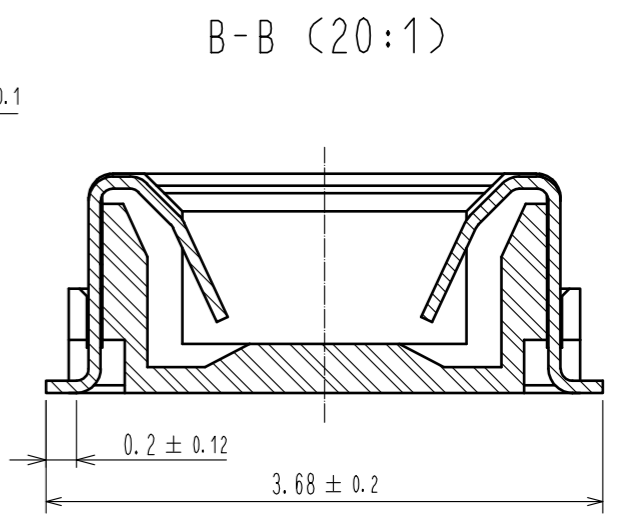
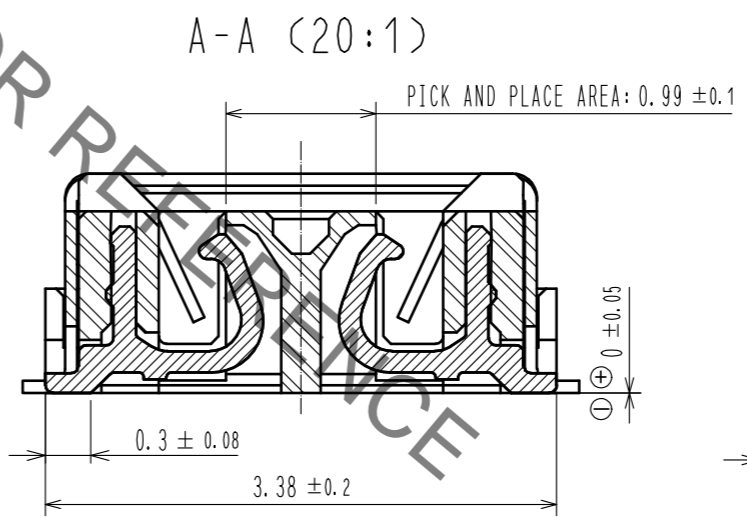
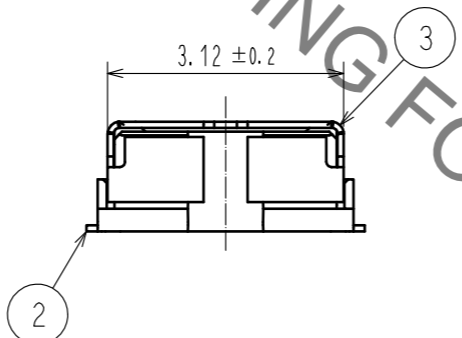
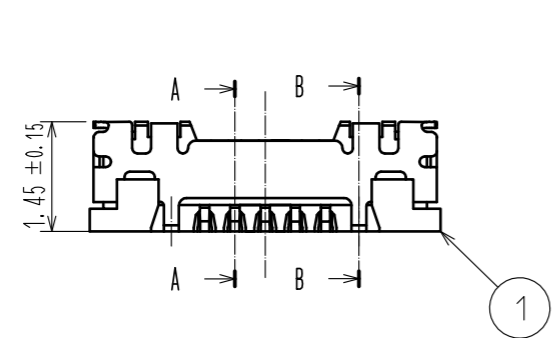
Aug.1.2021 Copyright 2021 HIROSE ELECTRIC CO., LTD. All Rights Reserved.
In case of consideration for using Automotive equipment / device which demand high reliability, kindly contact our sales window correspondents.

RECOMMENDED PATTERN (10:1)

ENGAGEMENT FIGURE (20:1)



□ : SIGNAL ▨ : GROUND ▩ : NON-CONDUCTIVE AREA
RECOMMENDED METAL MASK THICKNESS: 120 μm
RECOMMENDED MASK OPENING RATIO: 80% FOR LEAD PAD



NOTES 1. ALL LEADS CO-PLANARITY SHALL BE 0.1mm MAX.
2. HRS MARK AND CAV No. ARE INDICATED IN APPROX POSITION SHOWN.

2	PHOSPHOR BRONZE	CONTACT AREA: Au 0.05 μm MIN SMT LEAD: Au 0.05 μm MIN UNDERPLATING: NICKEL 1 μm MIN	7	PS	CLEAR (REINFORCEMENT COLLAR)
1	LCP	BLACK, UL94V-0	6	PS	BLACK (PLASTIC REEL)
			5	POLYESTER	CLEAR (COVER TAPE)
			4	PS	CLEAR (EMBOSSED CARRIER TAPE)
			3	PHOSPHOR BRONZE	CONTACT AREA: Au 0.05 μm MIN SMT LEAD: Au 0.05 μm MIN UNDERPLATING: NICKEL 1 μm MIN
NO.	MATERIAL	FINISH . REMARKS	NO.	MATERIAL	FINISH . REMARKS

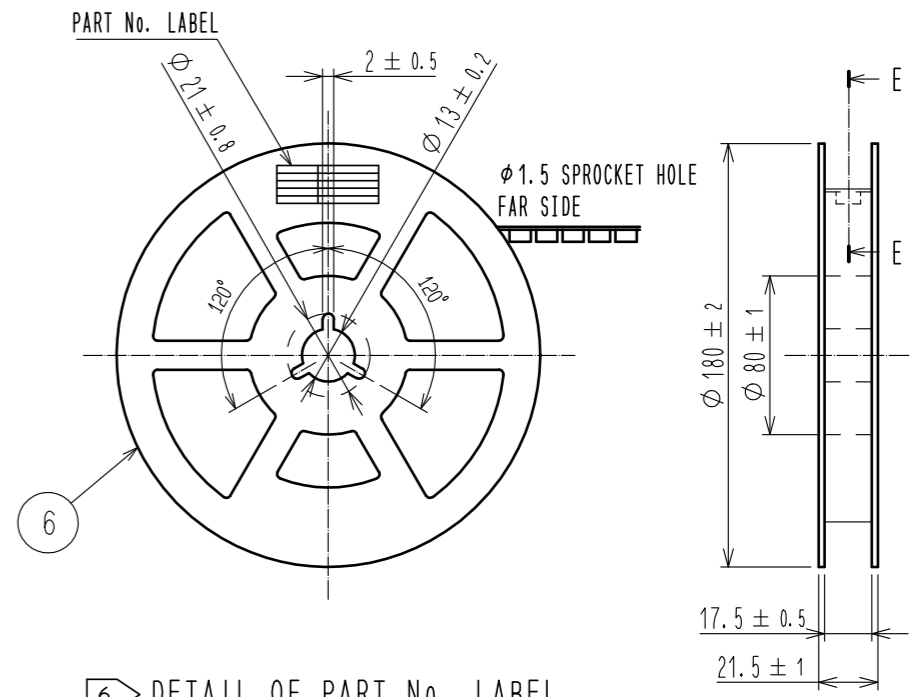
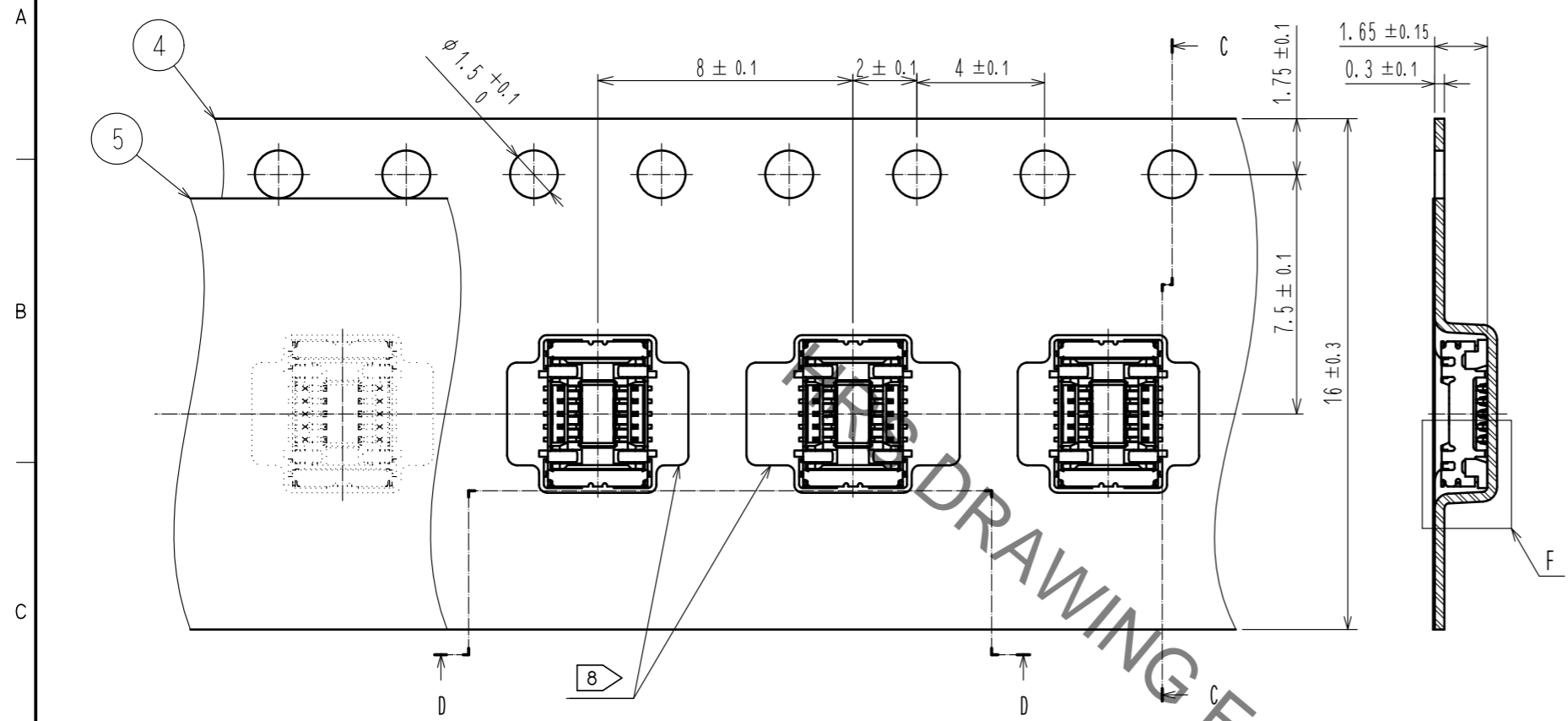
UNITS	SCALE	COUNT	DESCRIPTION OF REVISIONS	DESIGNED	CHECKED	DATE
mm	10 : 1	△				
APPROVED : MO. ISHIDA		15.07.01	DRAWING NO. EDC-359671-58-01			
CHECKED : TS. MIYAZAKI		15.07.01	PART NO. DF40GB(1.5)-10DS-0.4V(58)			
DESIGNED : SH. HOSODA		15.07.01	CODE NO. CL684-4224-2-58			
DRAWN : KR. AJITO		15.07.01	1/2			

Aug.1.2021 Copyright 2021 HIROSE ELECTRIC CO., LTD. All Rights Reserved.
In case of consideration for using Automotive equipment / device which demand high reliability, kindly contact our sales window correspondents.

EMBOSED CARRIER TAPE PACKAGING (5:1)

C-C (5:1)

STYLE AND DIMENSION OF REEL (FREE)



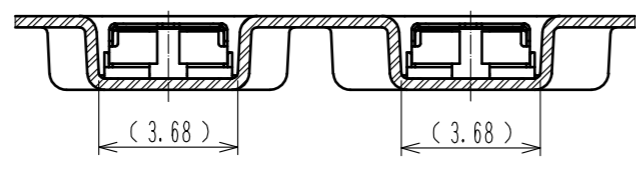
6> DETAIL OF PART No. LABEL

製造年月日	** ** *
製品コード	CL684-4224-2-58
製品名	DF40GB(1.5)-10DS-0.4V(58)
数量	1,000
納入者	ヒロセ電機(株)

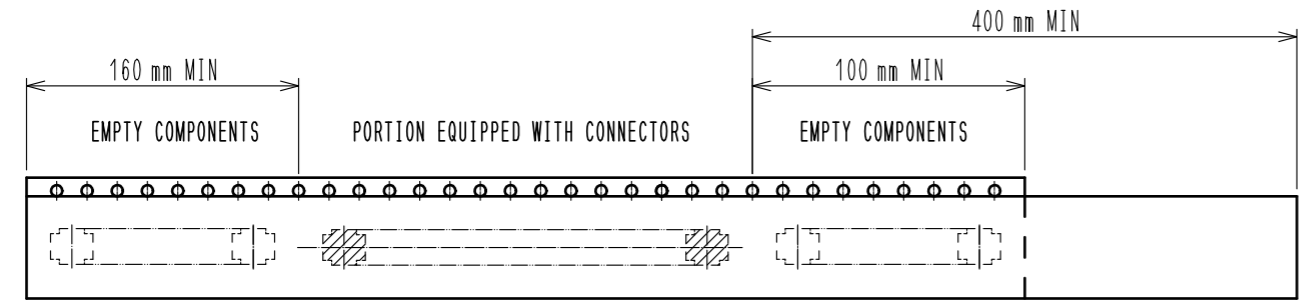
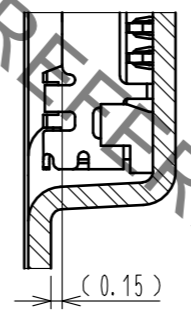
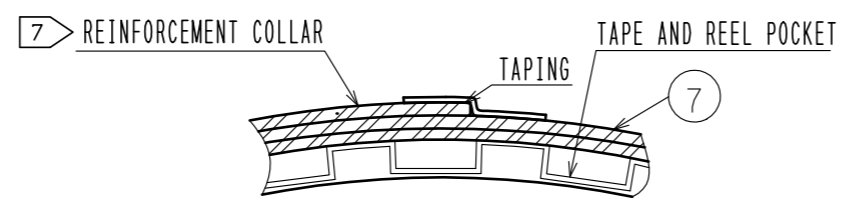
DIRECTION OF UNREELING

D-D (5:1)

F (10:1)



E-E (FREE)



- NOTES
- PER REEL 1000 CONNECTORS.
 - THE DIMENSIONS IN PARENTHESES ARE FOR REFERENCE.
 - REFER TO JIS C 0806, IEC 60286-3(PACKING OF COMPONENTS FOR AUTOMATIC HANDLING)
 - DETAIL OF PART No. LABEL IS WRITTEN IN JAPANESE. PART No. LABEL DESCRIBES THE FOLLOWING INFORMATION FROM TOP.
 PRODUCTION DATE:
 PRODUCT CODE: CL684-4224-2-58
 PART NUMBER: DF40GB(1.5)-10DS-0.4V(58)
 NUMBER OF PIECES: 1000 PIECES
 SUPPLIER NAME: HIROSE ELECTRIC CO., LTD.
 - AFTER PACKAGING, ROLL 2 METERS OF THE REINFORCEMENT COLLAR TO OUTER CIRCUMFERENCE OF TAPE AND REEL POCKET, AND TAPE DOWN AT THE END THE COLLAR.
 - ONE OF SEVERAL IS DIFFERENT IN FORM OF THE EMBOSED CARRIER TAPE.

HRS	DRAWING NO.	EDC-359671-58-01	
	PART NO.	DF40GB(1.5)-10DS-0.4V(58)	
	CODE NO.	CL684-4224-2-58	\triangle 2/2

X-ON Electronics

Largest Supplier of Electrical and Electronic Components

Click to view similar products for [Board to Board & Mezzanine Connectors](#) category:

Click to view products by [Hirose](#) manufacturer:

Other Similar products are found below :

[589158040000018](#) [MDF7C-18P-2.54DSA\(55\)](#) [FCN-230C068-11](#) [FCN-268F012-G/BD](#) [FCN-268F036-G/BD](#) [FCN-268M012-G/0D](#) [FCN-268M024-G/1D](#) [FCN-723J004/1](#) [MIS-048-01-F-D-DP-K](#) [832-10-034-10-001000](#) [FX4C-80S-1.27DSA](#) [FCN-214Q030-G/0](#) [FCN-234P048-G/0](#) [FCN-235D050-G/C](#) [210-93-314-41-105000](#) [2-22603-0](#) [MDF7-40DP-2.54DSA\(55\)](#) [AXG720047](#) [MIT-114-03-F-D-K](#) [55323-1519](#) [DF33-2P-3.3DSA\(24\)](#) [YFT-20-05-H-03-SB-K](#) [503308-3040](#) [026-6203-PDB](#) [027-6203-PDB](#) [069159702701000](#) [10123981-102LF](#) [101A10019X](#) [55650-0588-C](#) [68682-310LF](#) [68684-306](#) [75140-7012](#) [87471-650](#) [YTW-30-07-H-Q-410-140](#) [FCN-268F024-G0D](#) [10124054-515LF](#) [68685-603](#) [8-1616154-3](#) [MIS-019-01-F-D](#) [FCN-268M024-G/3D](#) [FCN-268M036-G/BD](#) [20021832-06016C1LF](#) [KX15-20KLDL-E1000E](#) [AXE810124](#) [FCN-214J100-G/0](#) [FCN-230C068-E/S](#) [AXE812124](#) [AXE816124](#) [AXE720127](#) [354184](#)