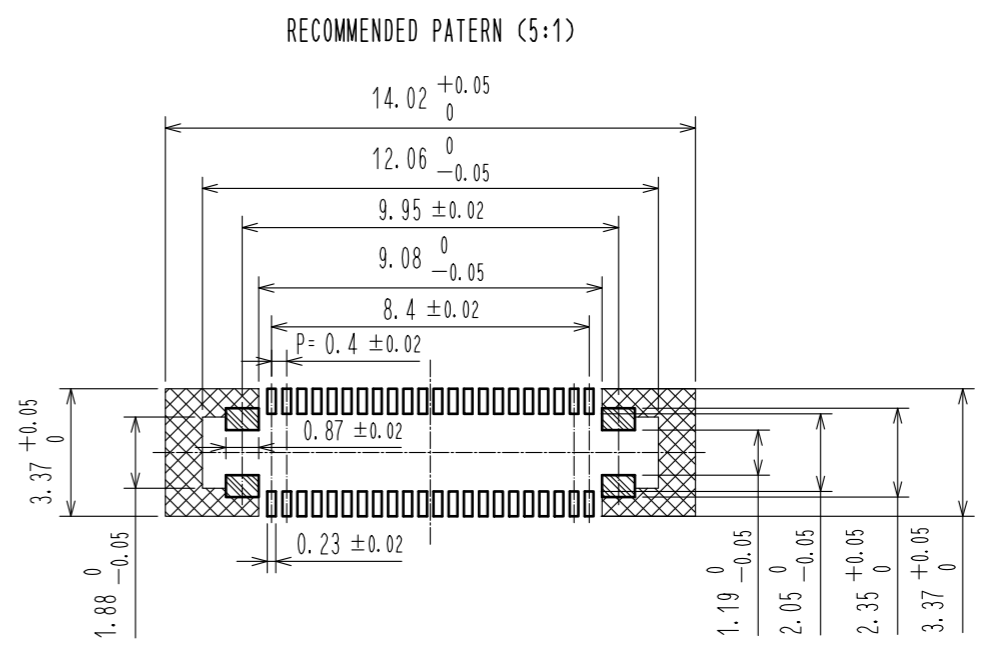
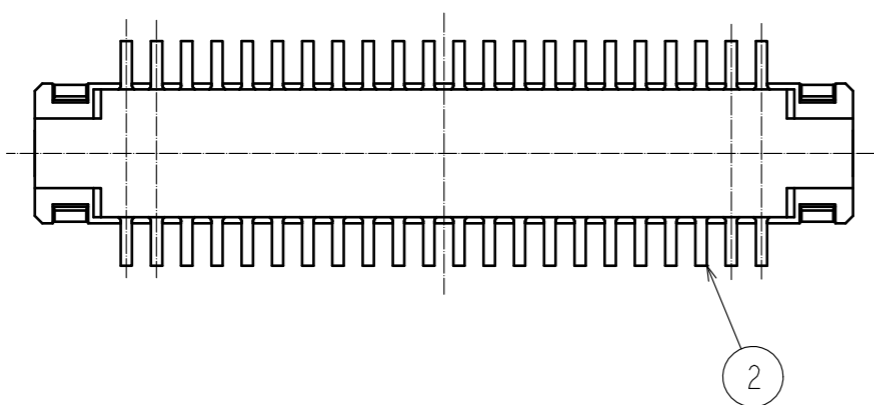
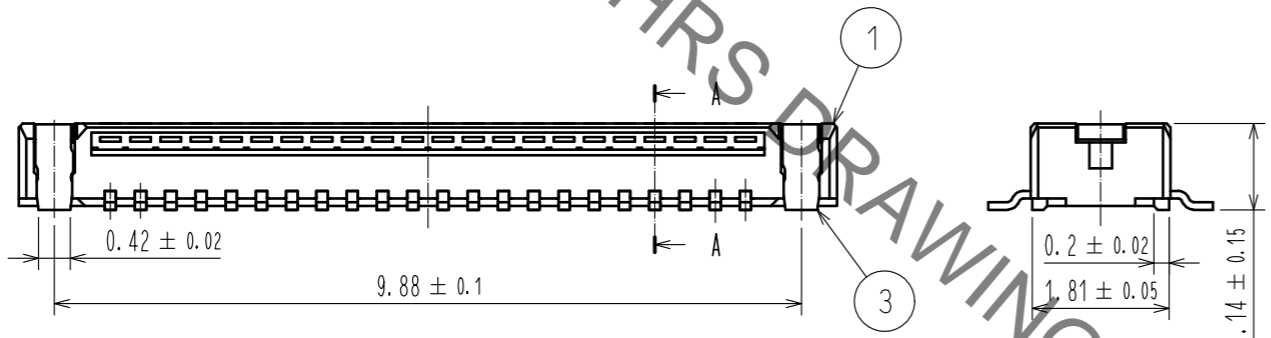
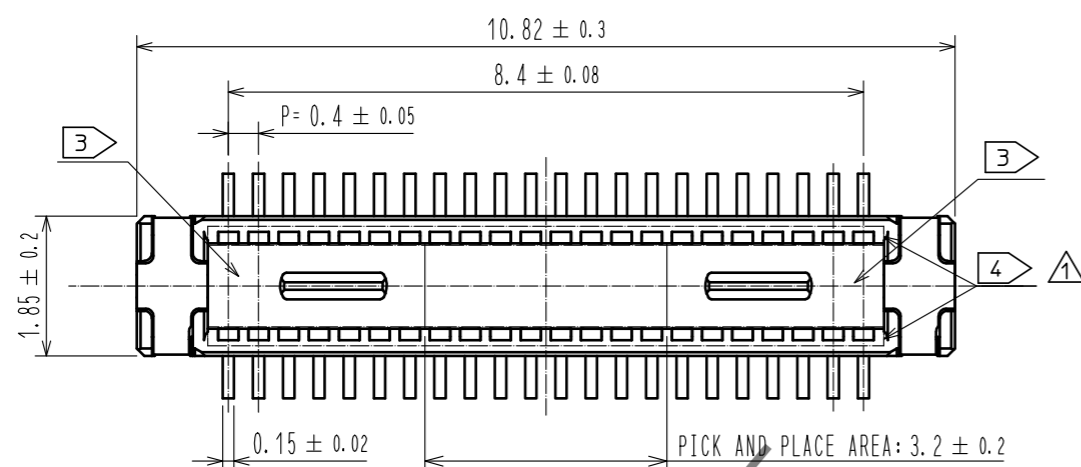
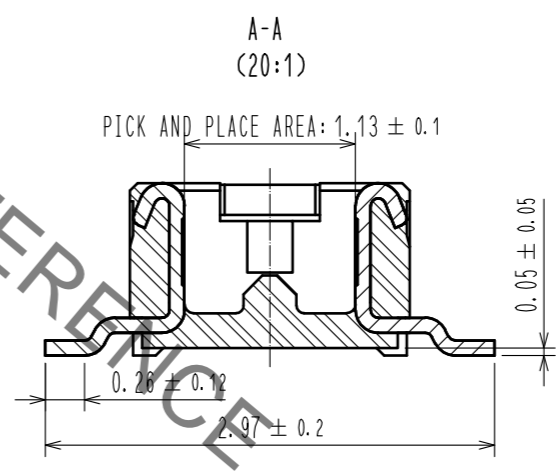


Sep.1.2021 Copyright 2021 HIROSE ELECTRIC CO., LTD. All Rights Reserved.
In case of consideration for using Automotive equipment / device which demand high reliability, kindly contact our sales window correspondents.



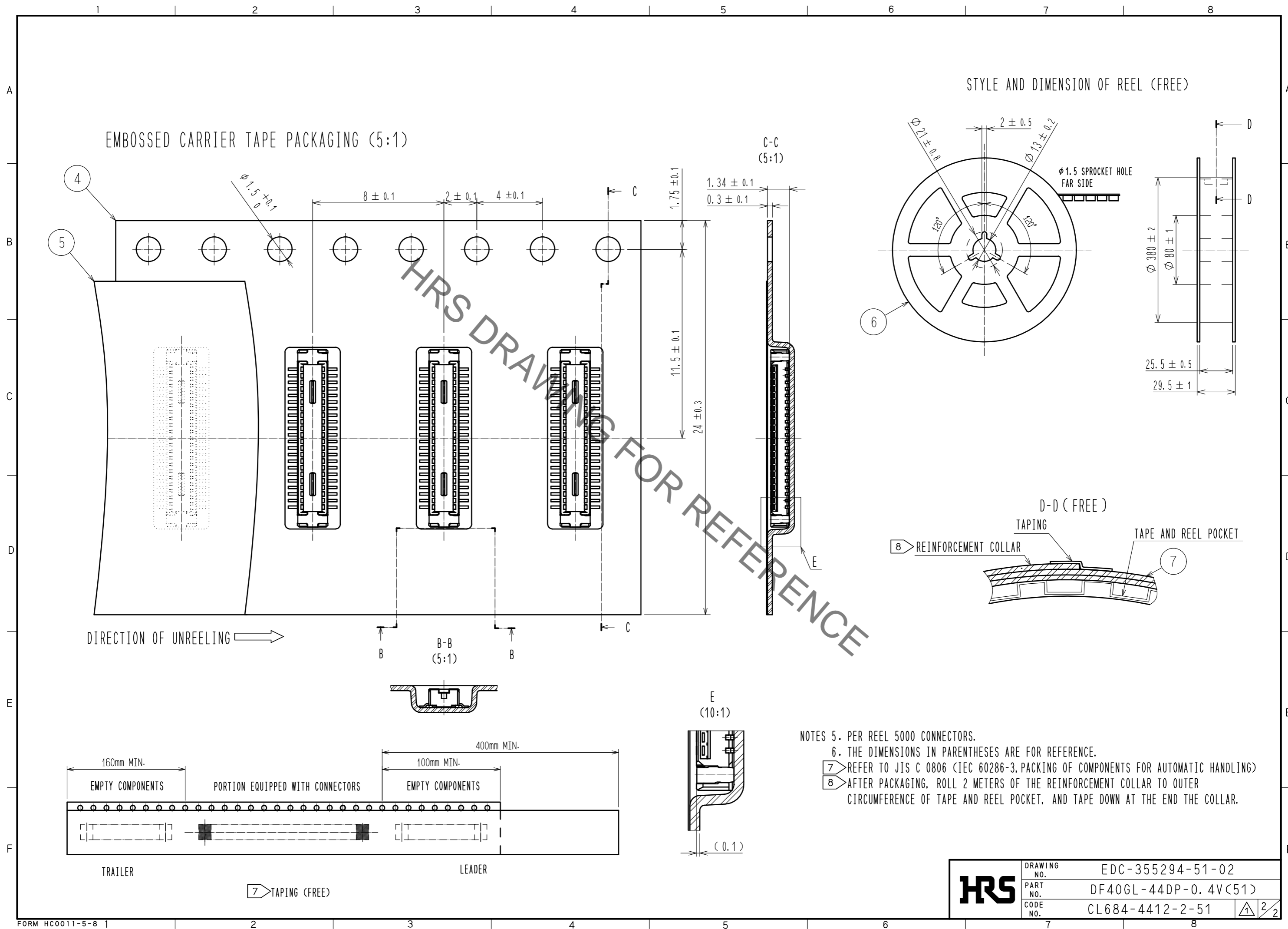
□ : SIGNAL ▨ : GROUND ▩ : NON-CONDUCTIVE AREA
 RECOMMENDED METAL MASK THICKNESS : 120 μm
 RECOMMENDED MASK OPENING RATIO : 80% FOR LEAD PAD



NOTES 1. ALL LEAD CO-PLANARITY SHALL BE 0.1mm MAX.
 2. PLATING SPECIFICATIONS
 CONTACT AREA : GOLD 0.05 μm MIN
 SMT LEAD : GOLD 0.05 μm MIN
 UNDER PLATING : NICKEL 1 μm MIN
 (SURFACE : SEALING)
 3. HRS MARK AND CAV No. ARE INDICATED IN APPROX POSITION SHOWN.
 4. THERE IS A POSSIBILITY THAT THE RESIN WILL BE EXPOSED AT THIS AREA.
 BUT THIS WILL NOT AFFECT THE CONTACT RELIABILITY.

3	STAINLESS STEEL	2	7	PS	CLEAR(REINFORCEMENT COLLAR)
2	PHOSPHOR BRONZE	2	6	PS	BLACK(PLASTIC REEL)
1	LCP	BLACK, UL94 V-0	5	POLYESTER	CLEAR(COVER TAPE)
			4	PS	CLEAR(EMBOSSED CARRIER TAPE)
NO.	MATERIAL	FINISH, REMARKS	NO.	MATERIAL	FINISH, REMARKS
UNITS	mm	SCALE	10:1	COUNT	2
		DESCRIPTION OF REVISIONS		DESIGNED	PAN YIWEI
		DIS-H-00006346		CHECKED	YK. SATAKE
				DATE	20200928
APPROVED : MO. ISHIDA 20150206			DRAWING NO. EDC-355294-51-02		
CHECKED : WR. FUKUCHI 20150206			PART NO. DF40GL-44DP-0.4V(51)		
DESIGNED : SJ. WADA 20150206			CODE NO. CL684-4412-2-51		
DRAWN : SJ. WADA 20150206			1/2		

Sep.1.2021 Copyright 2021 HIROSE ELECTRIC CO., LTD. All Rights Reserved.
 In case of consideration for using Automotive equipment / device which demand high reliability, kindly contact our sales window correspondents.



HRS	DRAWING NO.	EDC-355294-51-02
	PART NO.	DF40GL-44DP-0.4V(51)
	CODE NO.	CL684-4412-2-51
		2/2

X-ON Electronics

Largest Supplier of Electrical and Electronic Components

Click to view similar products for [Board to Board & Mezzanine Connectors](#) category:

Click to view products by [Hirose](#) manufacturer:

Other Similar products are found below :

[589158040000018](#) [MDF7C-18P-2.54DSA\(55\)](#) [FCN-230C068-11](#) [FCN-268F012-G/BD](#) [FCN-268F036-G/BD](#) [FCN-268M012-G/0D](#) [FCN-268M024-G/1D](#) [FCN-723J004/1](#) [MIS-048-01-F-D-DP-K](#) [832-10-034-10-001000](#) [FX4C-80S-1.27DSA](#) [FCN-214Q030-G/0](#) [FCN-234P048-G/0](#) [FCN-235D050-G/C](#) [210-93-314-41-105000](#) [2-22603-0](#) [MDF7-40DP-2.54DSA\(55\)](#) [AXG720047](#) [MIT-114-03-F-D-K](#) [55323-1519](#) [DF33-2P-3.3DSA\(24\)](#) [YFT-20-05-H-03-SB-K](#) [503308-3040](#) [026-6203-PDB](#) [027-6203-PDB](#) [069159702701000](#) [10123981-102LF](#) [101A10019X](#) [55650-0588-C](#) [68682-310LF](#) [68684-306](#) [75140-7012](#) [87471-650](#) [YTW-30-07-H-Q-410-140](#) [FCN-268F024-G0D](#) [10124054-515LF](#) [68685-603](#) [8-1616154-3](#) [MIS-019-01-F-D](#) [FCN-268M024-G/3D](#) [FCN-268M036-G/BD](#) [20021832-06016C1LF](#) [KX15-20KLDL-E1000E](#) [AXE810124](#) [FCN-214J100-G/0](#) [FCN-230C068-E/S](#) [AXE812124](#) [AXE816124](#) [AXE720127](#) [354184](#)