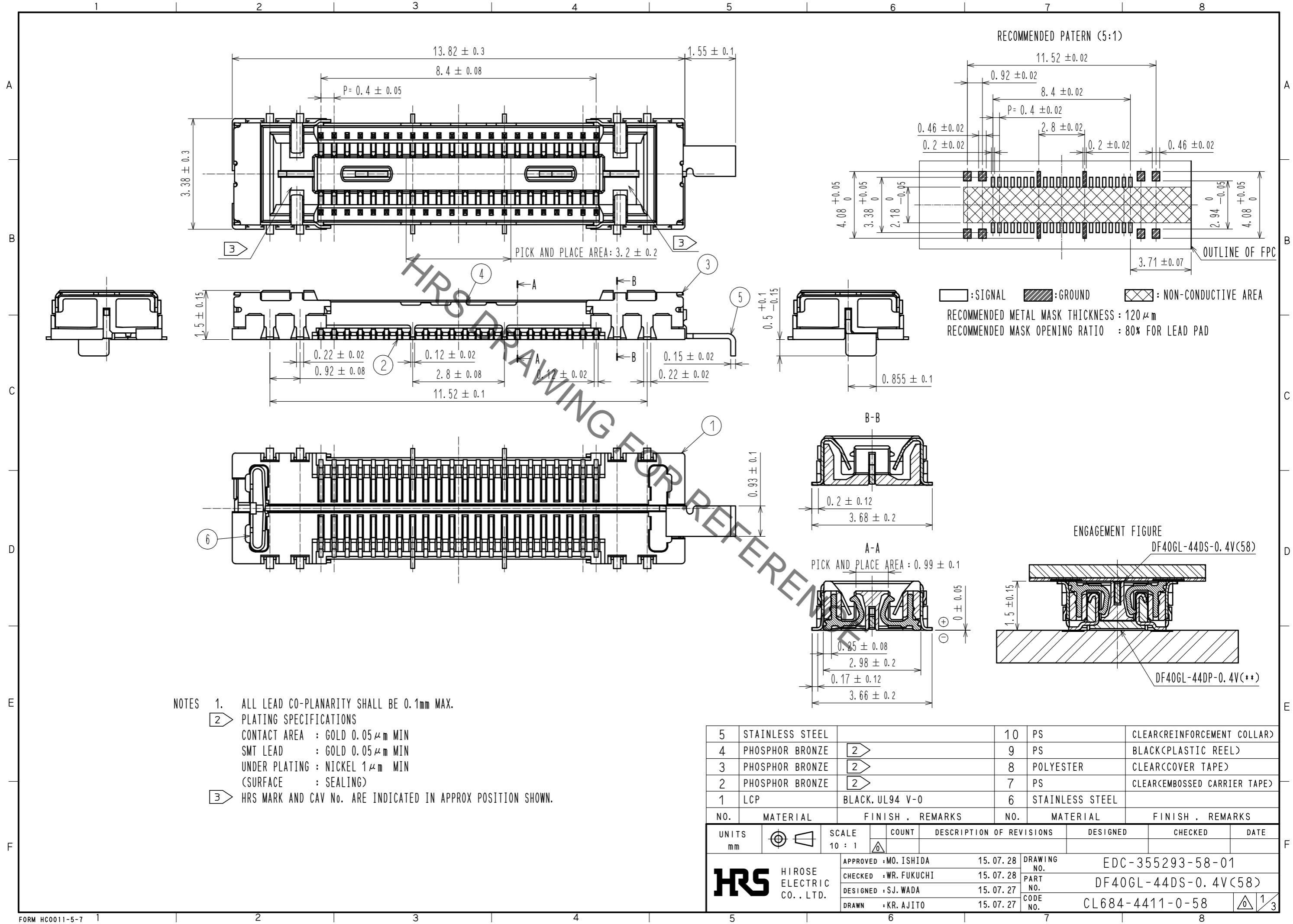


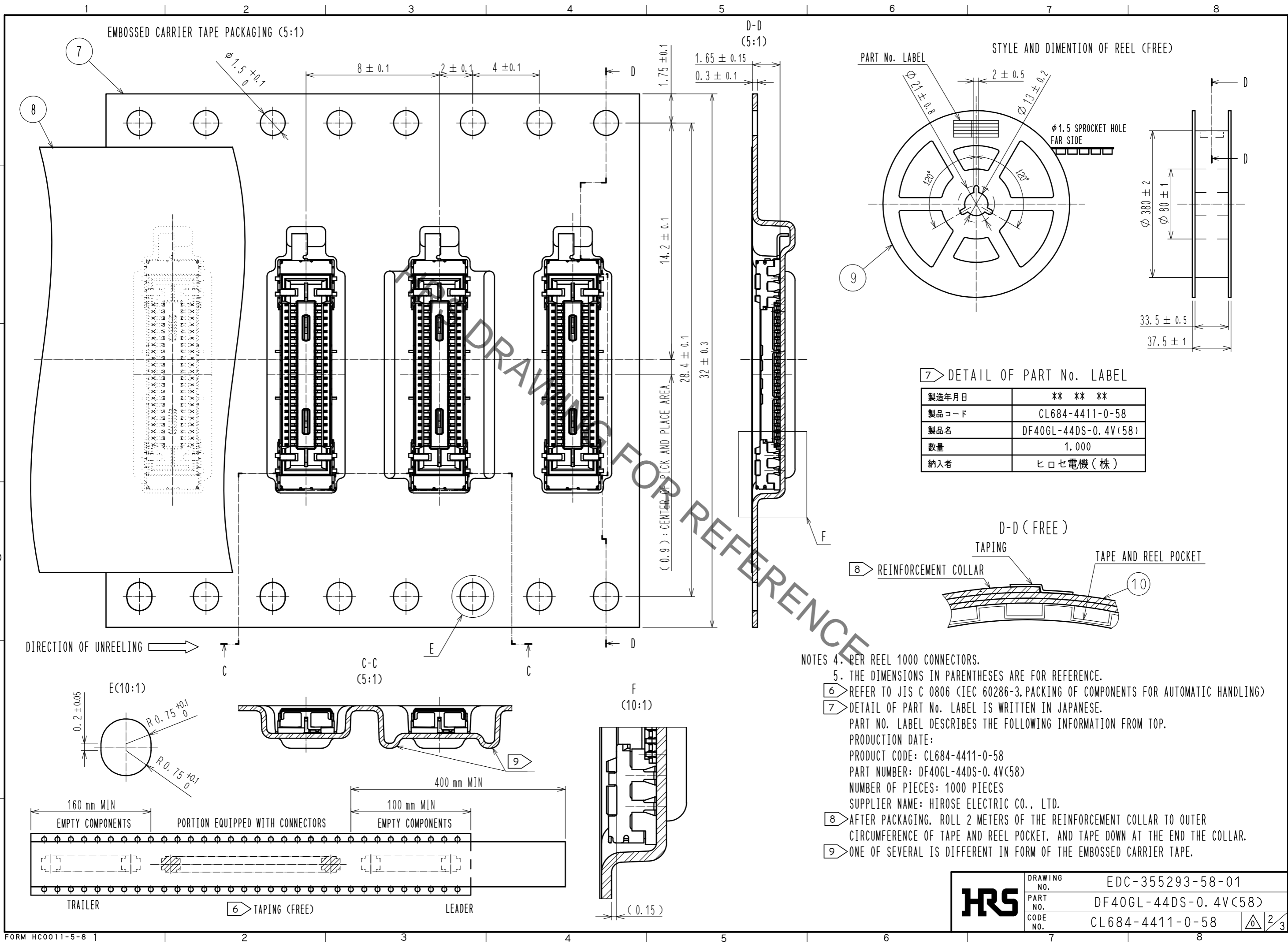
Sep.1.2021 Copyright 2021 HIROSE ELECTRIC CO., LTD. All Rights Reserved.  
In case of consideration for using Automotive equipment / device which demand high reliability, kindly contact our sales window correspondents.



- NOTES
1. ALL LEAD CO-PLANARITY SHALL BE 0.1mm MAX.
  2. PLATING SPECIFICATIONS  
CONTACT AREA : GOLD 0.05 μm MIN  
SMT LEAD : GOLD 0.05 μm MIN  
UNDER PLATING : NICKEL 1 μm MIN  
(SURFACE : SEALING)
  3. HRS MARK AND CAV No. ARE INDICATED IN APPROX POSITION SHOWN.

5	STAINLESS STEEL		10	PS	CLEAR(REINFORCEMENT COLLAR)
4	PHOSPHOR BRONZE	2	9	PS	BLACK(PLASTIC REEL)
3	PHOSPHOR BRONZE	2	8	POLYESTER	CLEAR(COVER TAPE)
2	PHOSPHOR BRONZE	2	7	PS	CLEAR(EMBOSSED CARRIER TAPE)
1	LCP	BLACK, UL94 V-0	6	STAINLESS STEEL	
NO.	MATERIAL	FINISH . REMARKS	NO.	MATERIAL	FINISH . REMARKS
UNITS		SCALE	COUNT	DESCRIPTION OF REVISIONS	
mm		10 : 1	△	DESIGNED	CHECKED
<b>HIROSE ELECTRIC CO., LTD.</b>		APPROVED : MO. ISHIDA	15.07.28	DRAWING NO. EDC-355293-58-01	
		CHECKED : WR. FUKUCHI	15.07.28	PART NO. DF40GL-44DS-0.4V(58)	
		DESIGNED : SJ. WADA	15.07.27	CODE NO. CL684-4411-0-58	
		DRAWN : KR. AJITO	15.07.27	1/3	

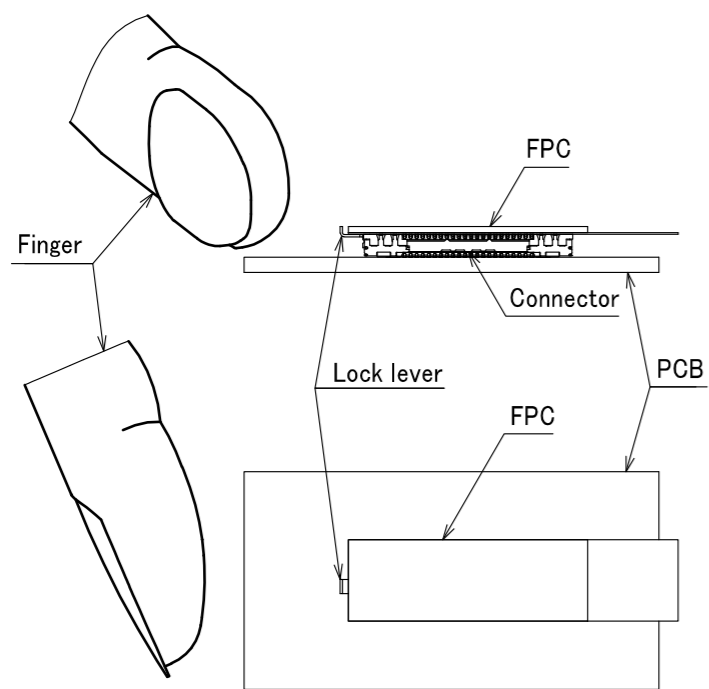
Sep.1.2021 Copyright 2021 HIROSE ELECTRIC CO., LTD. All Rights Reserved.  
 In case of consideration for using Automotive equipment / device which demand high reliability, kindly contact our sales window correspondents.



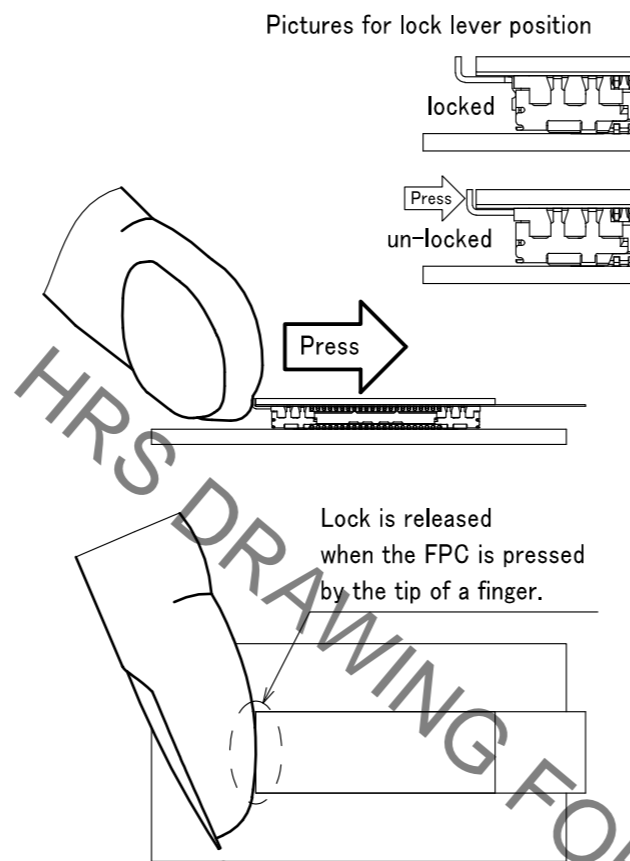
<b>HRS</b>	DRAWING NO.	EDC-355293-58-01
	PART NO.	DF40GL-44DS-0.4V(58)
	CODE NO.	CL684-4411-0-58
		2/3

Sep.1.2021 Copyright 2021 HIROSE ELECTRIC CO., LTD. All Rights Reserved.  
In case of consideration for using Automotive equipment / device which demand high reliability, kindly contact our sales window correspondents.

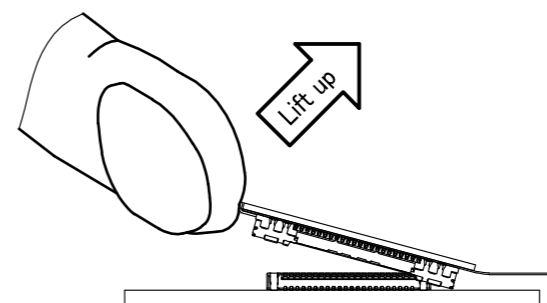
# Handling Instruction



## STEP 1 Press the lever to release the lock

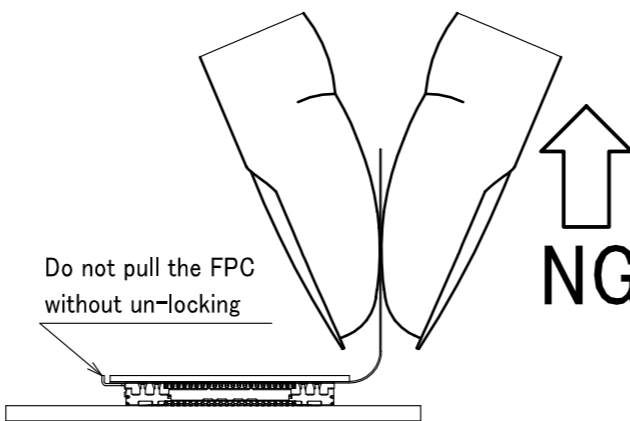
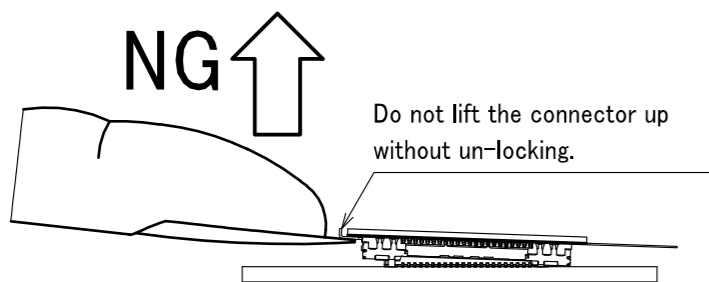


## STEP 2 While maintaining the unlocked position, lift the FPC up in the direction shown on illustration.

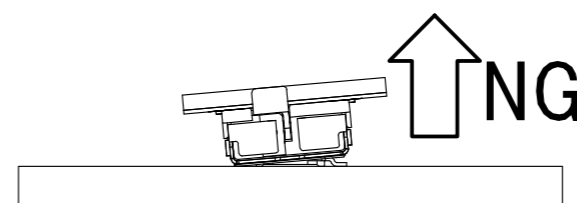


# Precaution

Do not attempt to un-mate without un-locking since there is a risk for connector breakage when un-mated without releasing the lock.



Do not un-mate in the depth direction to avoid contact or housing damage even when the lock is released.



<b>HRS</b>	DRAWING NO.	EDC-355293-58-01
	PART NO.	DF40GL-44DS-0.4V(58)
	CODE NO.	CL684-4411-0-58
		3/3

## X-ON Electronics

Largest Supplier of Electrical and Electronic Components

*Click to view similar products for [Board to Board & Mezzanine Connectors](#) category:*

*Click to view products by [Hirose](#) manufacturer:*

Other Similar products are found below :

[589158040000018](#) [FCN-230C068-11](#) [FCN-268F012-G/BD](#) [FCN-268F036-G/BD](#) [FCN-268M012-G/0D](#) [FCN-268M024-G/1D](#) [FCN-723J004/1](#) [MIS-048-01-F-D-DP-K](#) [832-10-034-10-001000](#) [FX4C-80S-1.27DSA](#) [FCN-214Q030-G/0](#) [FCN-234P048-G/0](#) [FCN-235D050-G/C](#) [2-22603-0](#) [AXG720047](#) [5031084030](#) [MIT-114-03-F-D-K](#) [55323-1519](#) [YFT-20-05-H-03-SB-K](#) [503308-3040](#) [026-6203-PDB](#) [027-6203-PDB](#) [069159702701000](#) [10123981-102LF](#) [101A10019X](#) [55650-0588-C](#) [68682-310LF](#) [68684-306](#) [75140-7012](#) [87471-650](#) [YTW-30-07-H-Q-410-140](#) [194261-1](#) [FCN-268F024-G0D](#) [10124054-515LF](#) [68685-603](#) [8-1616154-3](#) [MIS-019-01-F-D](#) [FCN-268M024-G/3D](#) [FCN-268M036-G/BD](#) [20021832-06016C1LF](#) [KX15-20KLDL-E1000E](#) [AXE810124](#) [FCN-214J100-G/0](#) [FCN-230C068-E/S](#) [AXE812124](#) [AXE816124](#) [AXE720127](#) [354184](#) [MIT-019-04-F-D-K](#) [P50-028-DDS-TG](#)