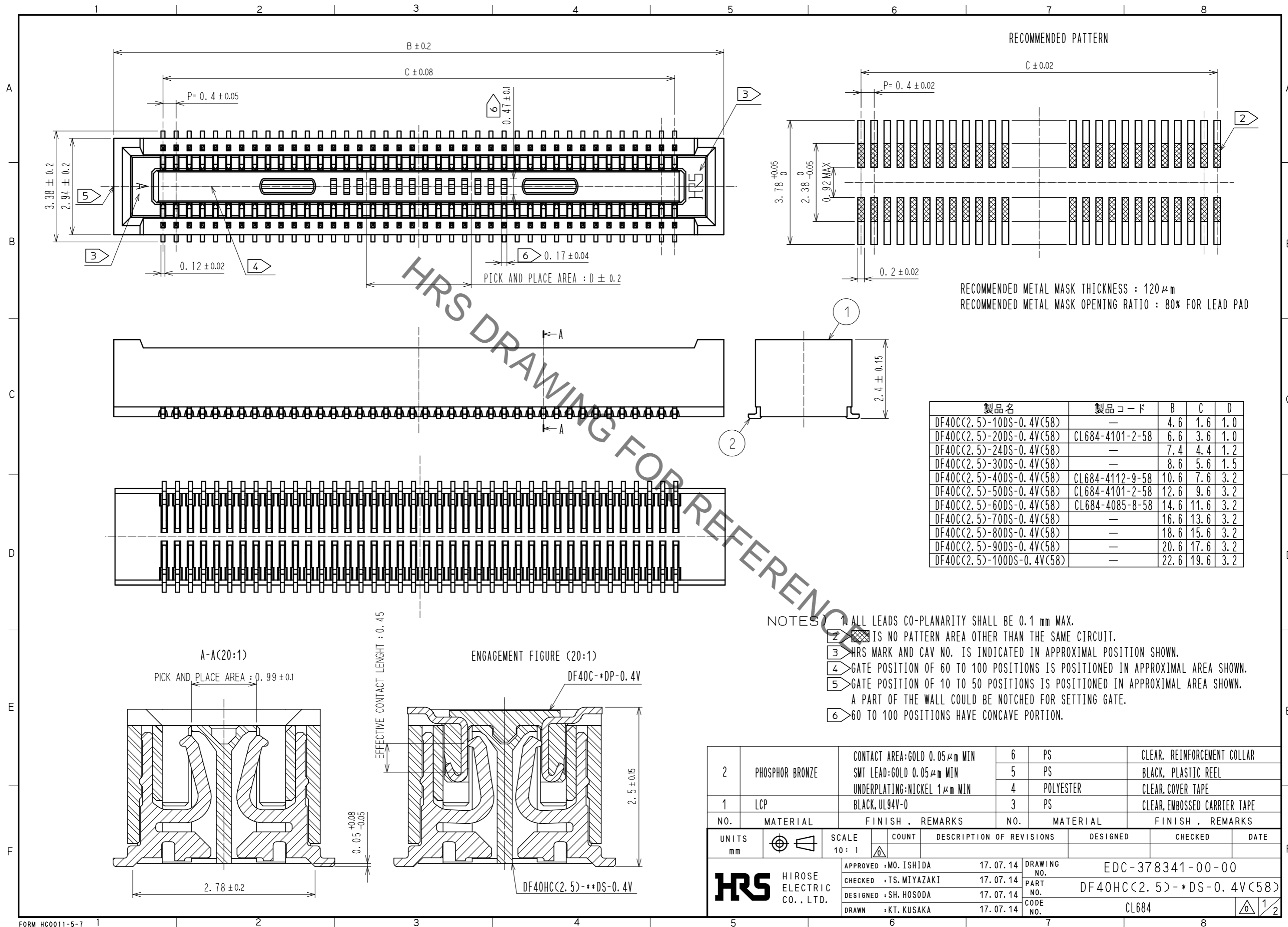


Sep.1.2021 Copyright 2021 HIROSE ELECTRIC CO., LTD. All Rights Reserved.  
In case of consideration for using Automotive equipment / device which demand high reliability, kindly contact our sales window correspondents.



RECOMMENDED METAL MASK THICKNESS : 120 μm  
RECOMMENDED METAL MASK OPENING RATIO : 80% FOR LEAD PAD

製品名	製品コード	B	C	D
DF40C(2.5)-10DS-0.4V(58)	—	4.6	1.6	1.0
DF40C(2.5)-20DS-0.4V(58)	CL684-4101-2-58	6.6	3.6	1.0
DF40C(2.5)-24DS-0.4V(58)	—	7.4	4.4	1.2
DF40C(2.5)-30DS-0.4V(58)	—	8.6	5.6	1.5
DF40C(2.5)-40DS-0.4V(58)	CL684-4112-9-58	10.6	7.6	3.2
DF40C(2.5)-50DS-0.4V(58)	CL684-4101-2-58	12.6	9.6	3.2
DF40C(2.5)-60DS-0.4V(58)	CL684-4085-8-58	14.6	11.6	3.2
DF40C(2.5)-70DS-0.4V(58)	—	16.6	13.6	3.2
DF40C(2.5)-80DS-0.4V(58)	—	18.6	15.6	3.2
DF40C(2.5)-90DS-0.4V(58)	—	20.6	17.6	3.2
DF40C(2.5)-100DS-0.4V(58)	—	22.6	19.6	3.2

- NOTES
- 1 ALL LEADS CO-PLANARITY SHALL BE 0.1 mm MAX.
  - 2 IS NO PATTERN AREA OTHER THAN THE SAME CIRCUIT.
  - 3 HRS MARK AND CAV NO. IS INDICATED IN APPROXIMAL POSITION SHOWN.
  - 4 GATE POSITION OF 60 TO 100 POSITIONS IS POSITIONED IN APPROXIMAL AREA SHOWN.
  - 5 GATE POSITION OF 10 TO 50 POSITIONS IS POSITIONED IN APPROXIMAL AREA SHOWN.  
A PART OF THE WALL COULD BE NOTCHED FOR SETTING GATE.
  - 6 60 TO 100 POSITIONS HAVE CONCAVE PORTION.

NO.	MATERIAL	FINISH . REMARKS	NO.	MATERIAL	FINISH . REMARKS
2	PHOSPHOR BRONZE	CONTACT AREA:GOLD 0.05 μm MIN SMT LEAD:GOLD 0.05 μm MIN UNDERPLATING:NICKEL 1 μm MIN	6	PS	CLEAR, REINFORCEMENT COLLAR
1	LCP	BLACK, UL94V-0	5	PS	BLACK, PLASTIC REEL
			4	POLYESTER	CLEAR, COVER TAPE
			3	PS	CLEAR, EMBOSSED CARRIER TAPE

UNITS	SCALE	COUNT	DESCRIPTION OF REVISIONS	DESIGNED	CHECKED	DATE
mm	10:1	△	APPROVED :MO. ISHIDA 17.07.14			
			CHECKED :TS. MIYAZAKI 17.07.14			
			DESIGNED :SH. HOSODA 17.07.14			
			DRAWN :KT. KUSAKA 17.07.14			

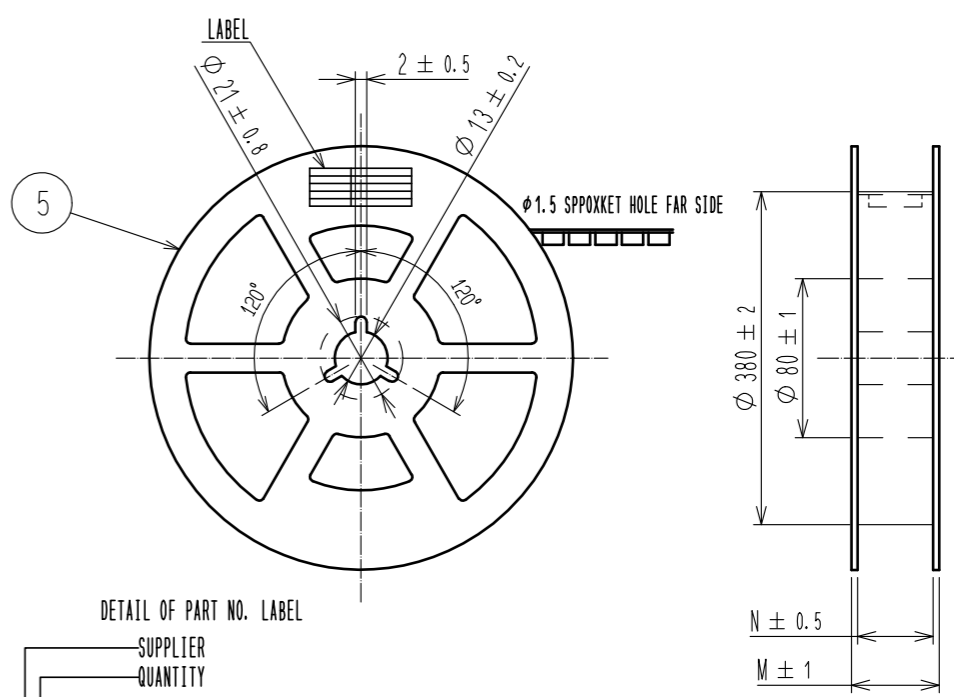
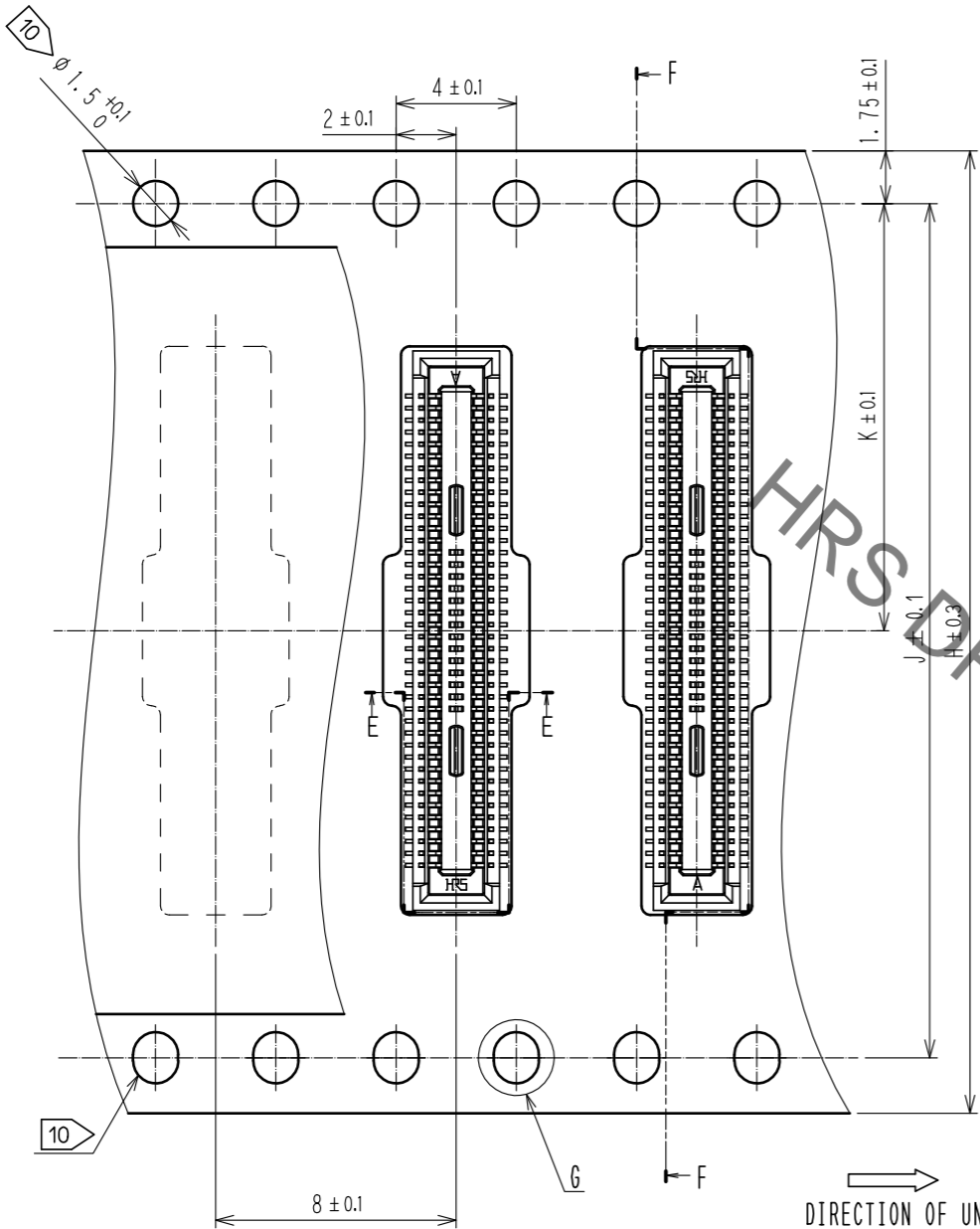
  

DRAWING NO.	EDC-378341-00-00
PART NO.	DF40HC(2.5)-*DS-0.4V(58)
CODE NO.	CL684

Sep.1.2021 Copyright 2021 HIROSE ELECTRIC CO., LTD. All Rights Reserved.  
In case of consideration for using Automotive equipment / device which demand high reliability, kindly contact our sales window correspondents.

EMBOSSED CARRIER TAPE PACKAGING (5:1)

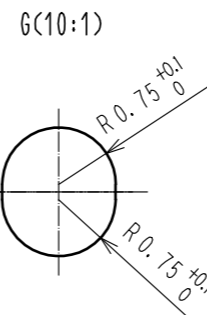
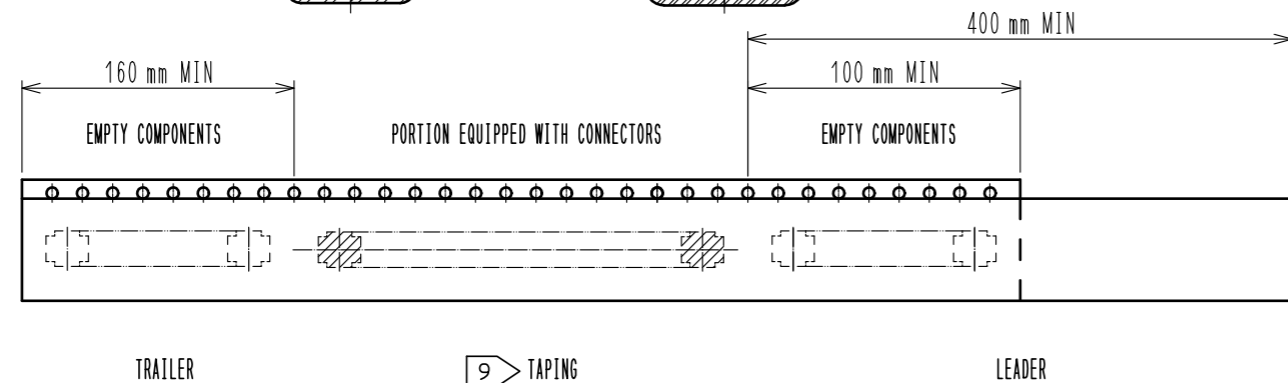
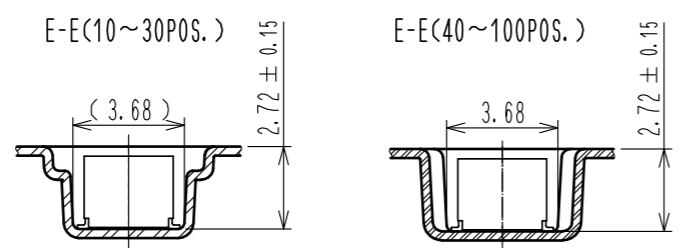
STYLE AND DIMENSION OF REEL(FREE SIZE)



DETAIL OF PART NO. LABEL

SUPPLIER	
QUANTITY	
PART NO.	
CODE NO.	
DATE OF MANUFACTURED	
製造年月日	** ** *
製品コード	** ** *
製品名	DF40HC(2.5)-*DS-0.4V(58)
数量	1000
納入者	ヒロセ電機(株)

製品名	H	J	K	L	M	N
DF40C(2.5)-10DS-0.4V(58)	16	—	7.5	4.9	21.5	17.5
DF40C(2.5)-20DS-0.4V(58)	16	—	7.5	6.9	21.5	17.5
DF40C(2.5)-24DS-0.4V(58)	16	—	7.5	7.7	21.5	17.5
DF40C(2.5)-30DS-0.4V(58)	24	—	11.5	8.9	29.5	25.5
DF40C(2.5)-40DS-0.4V(58)	24	—	11.5	10.9	29.5	25.5
DF40C(2.5)-50DS-0.4V(58)	24	—	11.5	12.9	29.5	25.5
DF40C(2.5)-60DS-0.4V(58)	24	—	11.5	14.9	29.5	25.5
DF40C(2.5)-70DS-0.4V(58)	32	28.4	14.2	16.9	37.5	33.5
DF40C(2.5)-80DS-0.4V(58)	32	28.4	14.2	18.9	37.5	33.5
DF40C(2.5)-90DS-0.4V(58)	44	40.4	20.2	20.9	49.5	45.5
DF40C(2.5)-100DS-0.4V(58)	44	40.4	20.2	22.9	49.5	45.5

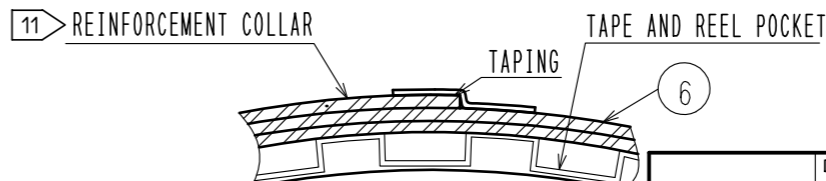


NOTES) 7. PER REEL 1000 CONNECTORS.

8. THE DIMENSIONS IN PARENTHESES ARE FOR REFERENCE.

- 9 REFER TO JIS C 0806(PACKING OF COMPONENTS FOR AUTOMATIC HANDLING)
- 10 10 TO 60 POSITIONS EMBOSSED CARRIER TAPE HAS THE SPROCKET HOLE ONLY ONE SIDES.
- 11 AFTER PACKAGING, ROLL 2 METERS OF THE REINFORCEMENT COLLAR TO OUTER CIRCUMFERENCE OF TAPE AND REEL POCKET. AND TAPE DOWN AT THE END THE COLLAR.

D-D (FREE)



<b>HRS</b>	DRAWING NO.	EDC-378341-00-00
	PART NO.	DF40HC(2.5)-*DS-0.4V(58)
	CODE NO.	CL684
		2/2

## X-ON Electronics

Largest Supplier of Electrical and Electronic Components

*Click to view similar products for [Board to Board & Mezzanine Connectors](#) category:*

*Click to view products by [Hirose](#) manufacturer:*

Other Similar products are found below :

[589158040000018](#) [MDF7C-18P-2.54DSA\(55\)](#) [FCN-230C068-11](#) [FCN-268F012-G/BD](#) [FCN-268F036-G/BD](#) [FCN-268M012-G/0D](#) [FCN-268M024-G/1D](#) [FCN-723J004/1](#) [MIS-048-01-F-D-DP-K](#) [832-10-034-10-001000](#) [FX4C-80S-1.27DSA](#) [FCN-214Q030-G/0](#) [FCN-234P048-G/0](#) [FCN-235D050-G/C](#) [210-93-314-41-105000](#) [2-22603-0](#) [MDF7-40DP-2.54DSA\(55\)](#) [AXG720047](#) [MIT-114-03-F-D-K](#) [55323-1519](#) [DF33-2P-3.3DSA\(24\)](#) [YFT-20-05-H-03-SB-K](#) [503308-3040](#) [026-6203-PDB](#) [027-6203-PDB](#) [069159702701000](#) [10123981-102LF](#) [101A10019X](#) [55650-0588-C](#) [68682-310LF](#) [68684-306](#) [75140-7012](#) [87471-650](#) [YTW-30-07-H-Q-410-140](#) [FCN-268F024-G0D](#) [10124054-515LF](#) [68685-603](#) [8-1616154-3](#) [MIS-019-01-F-D](#) [FCN-268M024-G/3D](#) [FCN-268M036-G/BD](#) [20021832-06016C1LF](#) [KX15-20KLDL-E1000E](#) [AXE810124](#) [FCN-214J100-G/0](#) [FCN-230C068-E/S](#) [AXE812124](#) [AXE816124](#) [AXE720127](#) [354184](#)