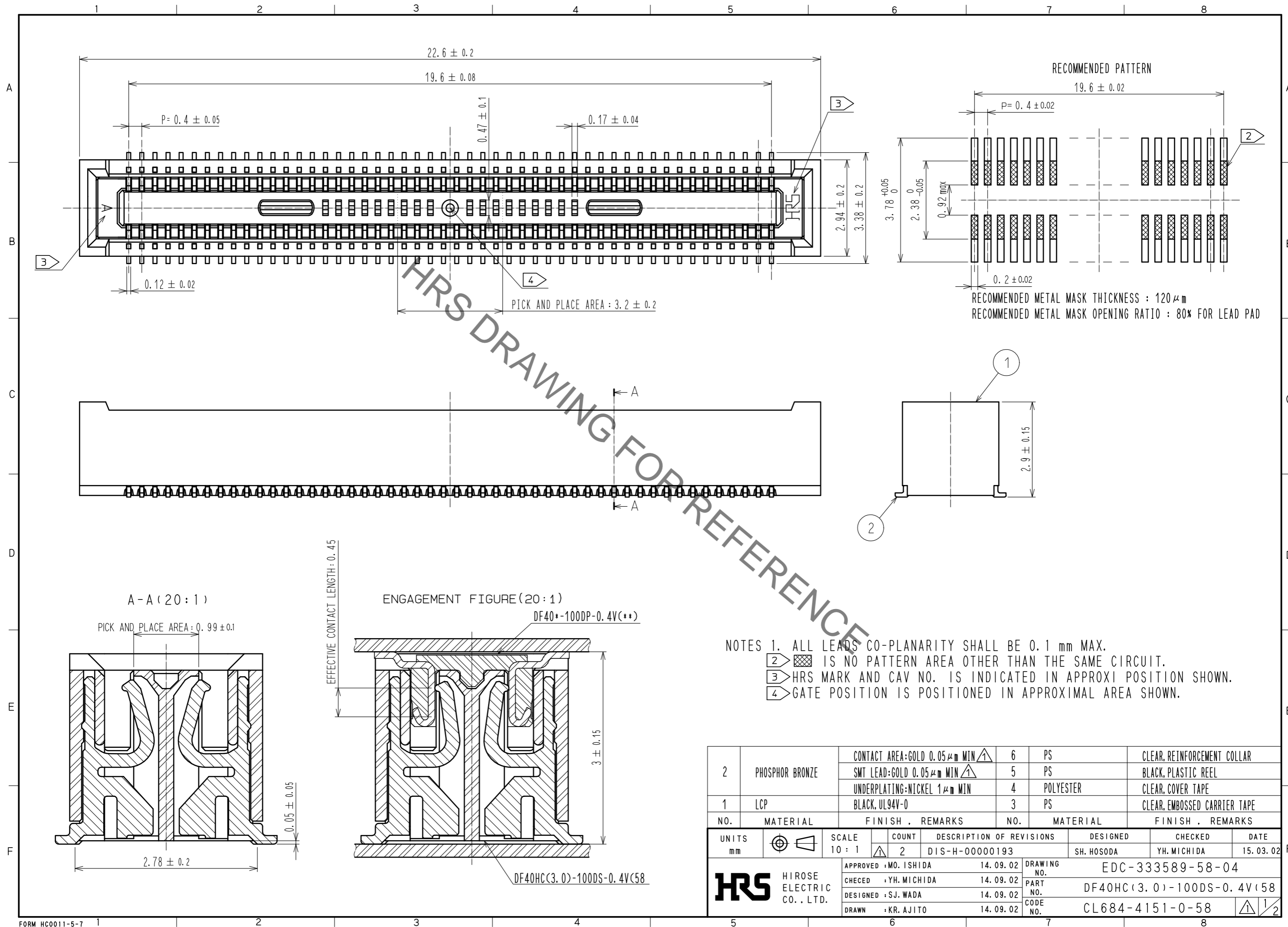


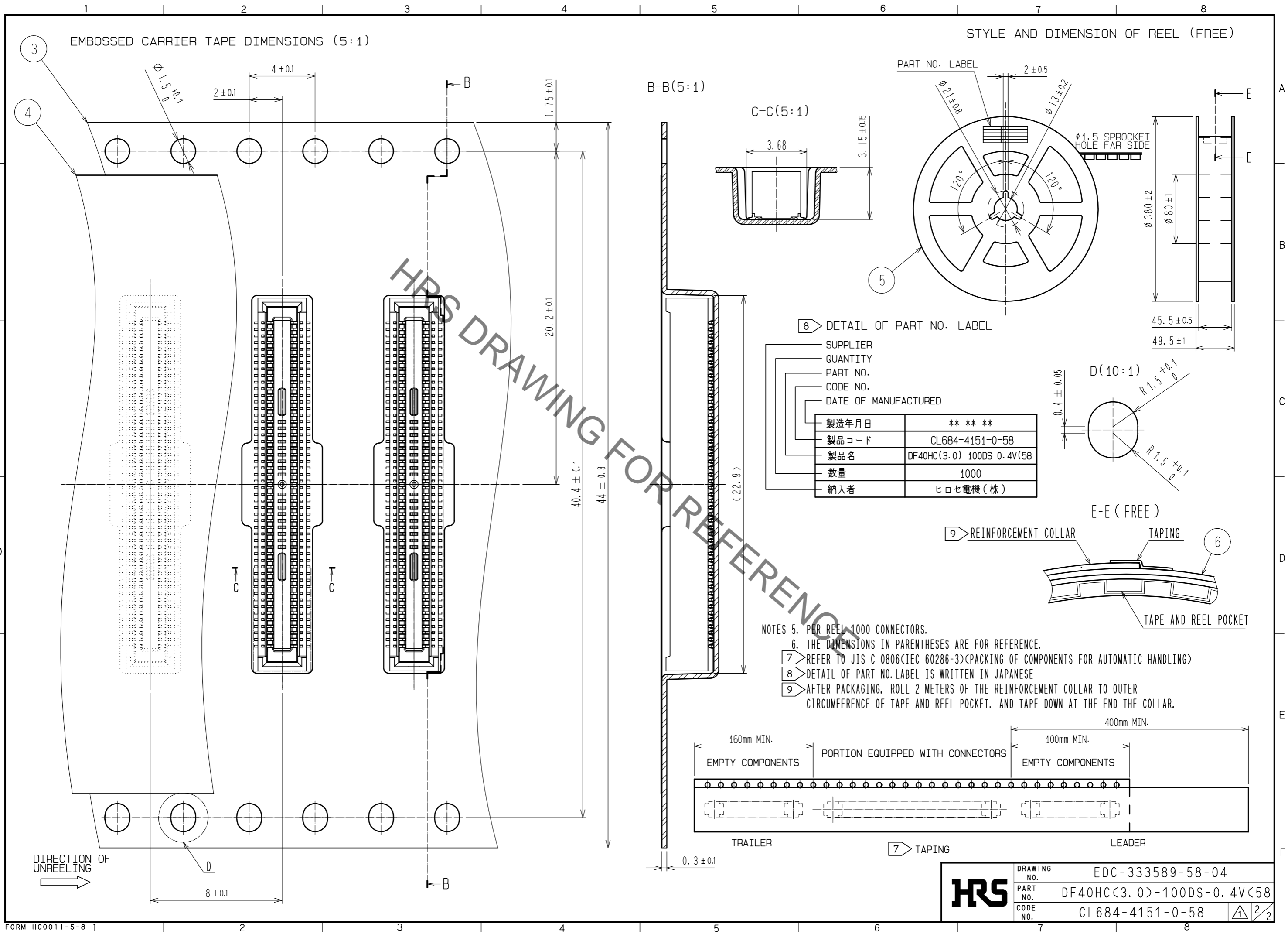
Sep.1.2021 Copyright 2021 HIROSE ELECTRIC CO., LTD. All Rights Reserved.  
In case of consideration for using Automotive equipment / device which demand high reliability, kindly contact our sales window correspondents.



- NOTES 1. ALL LEADS CO-PLANARITY SHALL BE 0.1 mm MAX.  
 2. IS NO PATTERN AREA OTHER THAN THE SAME CIRCUIT.  
 3. HRS MARK AND CAV NO. IS INDICATED IN APPROXI POSITION SHOWN.  
 4. GATE POSITION IS POSITIONED IN APPROXIMAL AREA SHOWN.

2	PHOSPHOR BRONZE	CONTACT AREA: GOLD $0.05 \mu m$ MIN $\Delta$	6	PS	CLEAR, REINFORCEMENT COLLAR		
		SMT LEAD: GOLD $0.05 \mu m$ MIN $\Delta$	5	PS	BLACK, PLASTIC REEL		
		UNDERPLATING: NICKEL $1 \mu m$ MIN	4	POLYESTER	CLEAR, COVER TAPE		
1	LCP	BLACK, UL94V-0	3	PS	CLEAR, EMBOSSED CARRIER TAPE		
NO.	MATERIAL	FINISH . REMARKS	NO.	MATERIAL	FINISH . REMARKS		
UNITS	$\odot$ $\triangleleft$	SCALE	COUNT	DESCRIPTION OF REVISIONS	DESIGNED	CHECKED	DATE
mm		10 : 1	$\Delta$ 2	DIS-H-00000193	SH. HOSODA	YH. MICHIDA	15. 03. 02
<b>HRS</b> HIROSE ELECTRIC CO., LTD.		APPROVED : MO. ISHIDA	14. 09. 02	DRAWING NO. EDC-333589-58-04			
		CHECED : YH. MICHIDA	14. 09. 02	PART NO. DF40HC(3.0)-100DS-0.4V(58)			
		DESIGNED : SJ. WADA	14. 09. 02	CODE NO. CL684-4151-0-58			
		DRAWN : KR. AJITO	14. 09. 02				

Sep.1.2021 Copyright 2021 HIROSE ELECTRIC CO., LTD. All Rights Reserved.  
In case of consideration for using Automotive equipment / device which demand high reliability, kindly contact our sales window correspondents.



<b>HRS</b>	DRAWING NO.	EDC-333589-58-04
	PART NO.	DF40HC(3.0)-100DS-0.4V(58)
	CODE NO.	CL684-4151-0-58
		△ 2/2

## X-ON Electronics

Largest Supplier of Electrical and Electronic Components

*Click to view similar products for [Board to Board & Mezzanine Connectors](#) category:*

*Click to view products by [Hirose](#) manufacturer:*

Other Similar products are found below :

[589158040000018](#) [MDF7C-18P-2.54DSA\(55\)](#) [FCN-230C068-11](#) [FCN-268F012-G/BD](#) [FCN-268F036-G/BD](#) [FCN-268M012-G/0D](#) [FCN-268M024-G/1D](#) [FCN-723J004/1](#) [MIS-048-01-F-D-DP-K](#) [832-10-034-10-001000](#) [FX4C-80S-1.27DSA](#) [FCN-214Q030-G/0](#) [FCN-234P048-G/0](#) [FCN-235D050-G/C](#) [210-93-314-41-105000](#) [2-22603-0](#) [MDF7-40DP-2.54DSA\(55\)](#) [AXG720047](#) [MIT-114-03-F-D-K](#) [55323-1519](#) [DF33-2P-3.3DSA\(24\)](#) [YFT-20-05-H-03-SB-K](#) [503308-3040](#) [026-6203-PDB](#) [027-6203-PDB](#) [069159702701000](#) [10123981-102LF](#) [101A10019X](#) [55650-0588-C](#) [68682-310LF](#) [68684-306](#) [75140-7012](#) [87471-650](#) [YTW-30-07-H-Q-410-140](#) [FCN-268F024-G0D](#) [10124054-515LF](#) [68685-603](#) [8-1616154-3](#) [MIS-019-01-F-D](#) [FCN-268M024-G/3D](#) [FCN-268M036-G/BD](#) [20021832-06016C1LF](#) [KX15-20KLDL-E1000E](#) [AXE810124](#) [FCN-214J100-G/0](#) [FCN-230C068-E/S](#) [AXE812124](#) [AXE816124](#) [AXE720127](#) [354184](#)