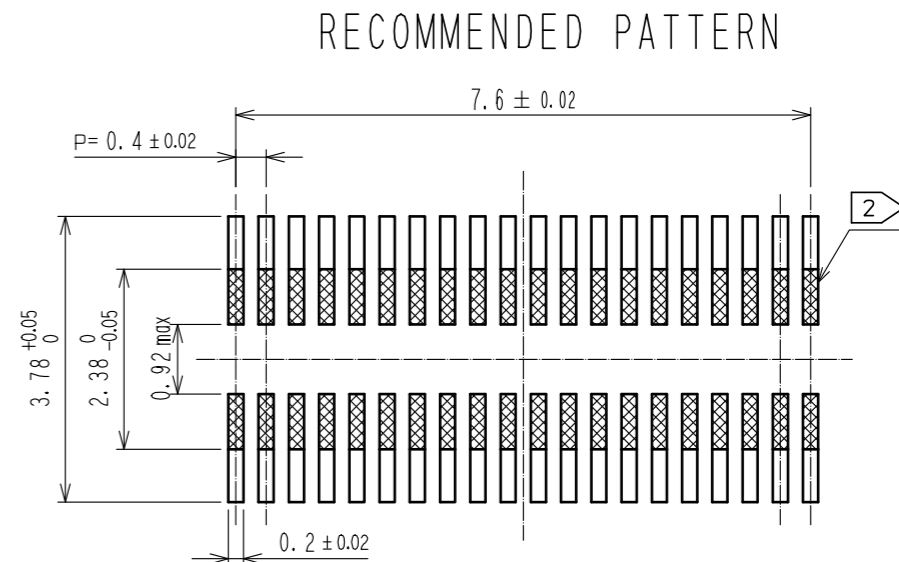
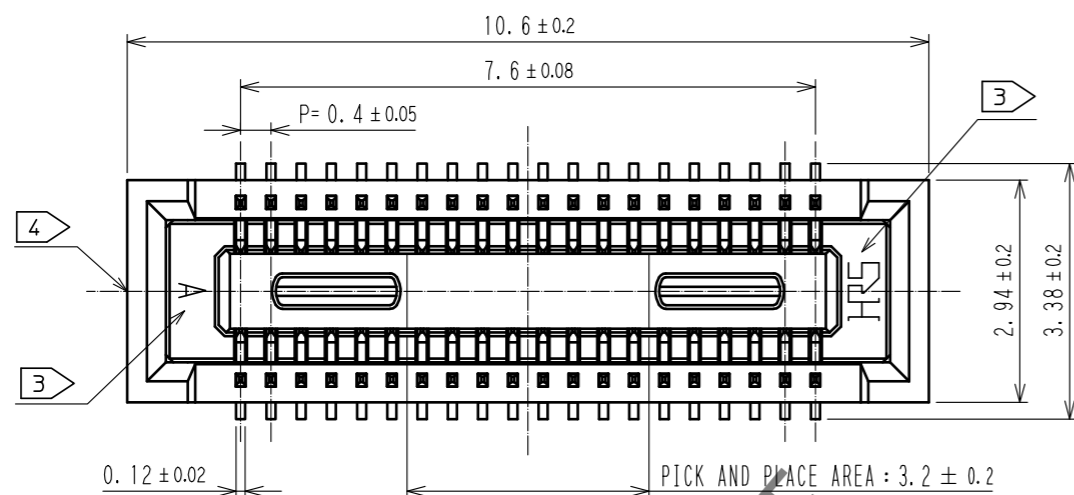
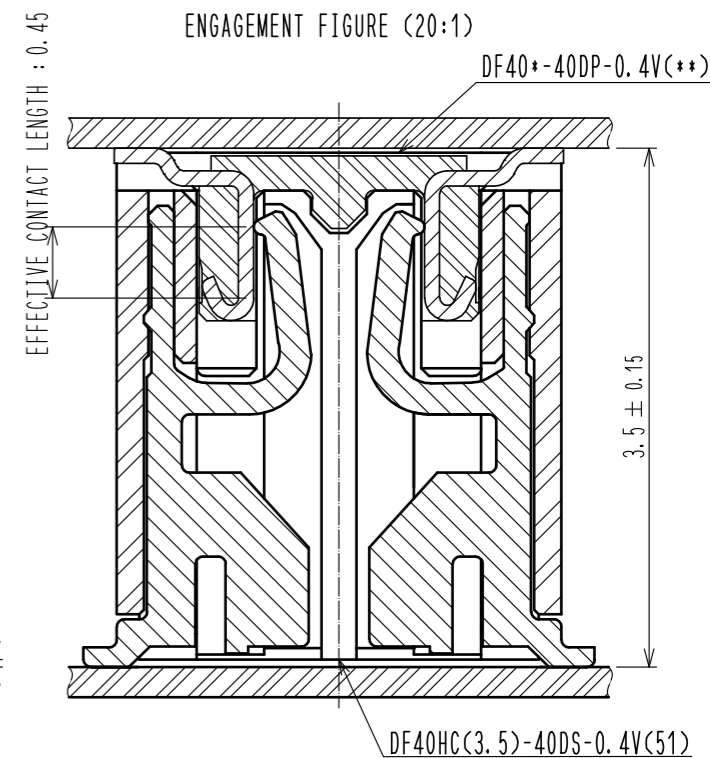
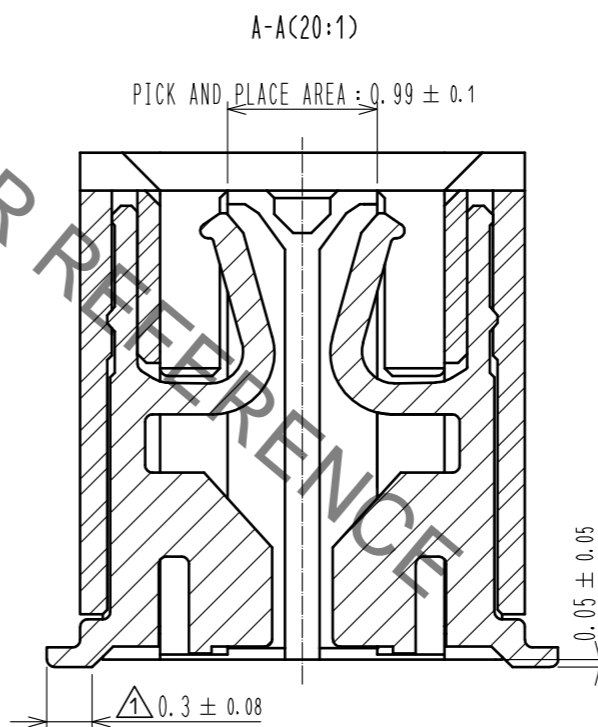
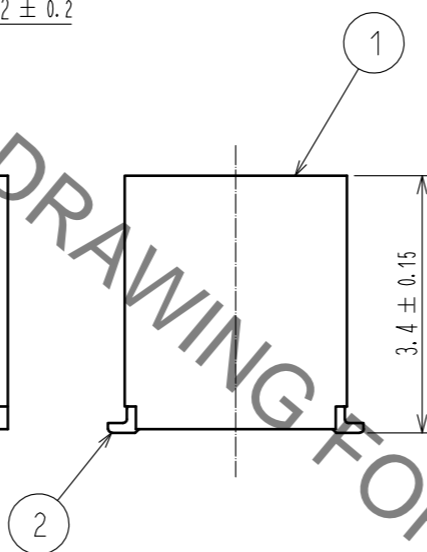
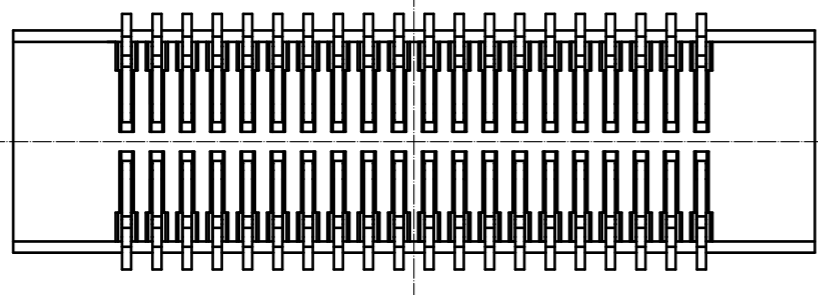
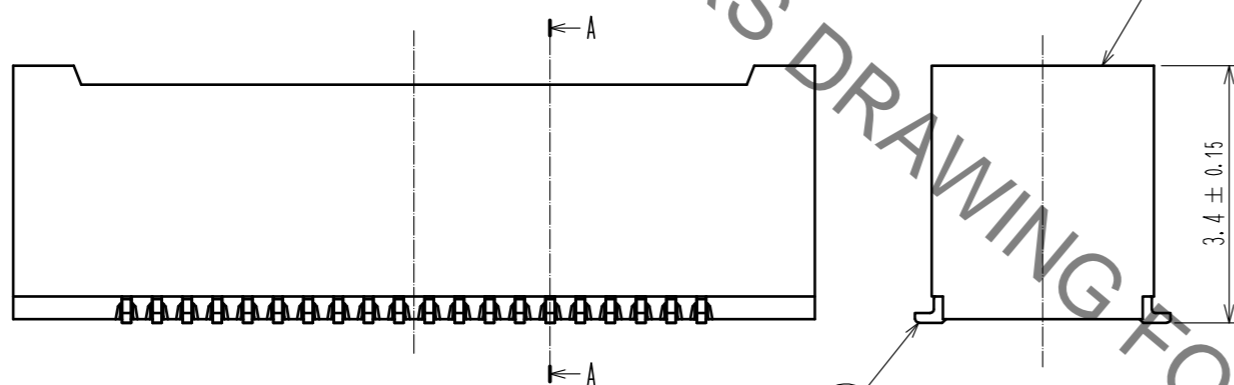


Sep.1.2021 Copyright 2021 HIROSE ELECTRIC CO., LTD. All Rights Reserved.  
In case of consideration for using Automotive equipment / device which demand high reliability, kindly contact our sales window correspondents.



RECOMMENDED METAL MASK THICKNESS : 120 μm  
RECOMMENDED METAL MASK OPENING RATIO : 80% FOR LEAD PAD



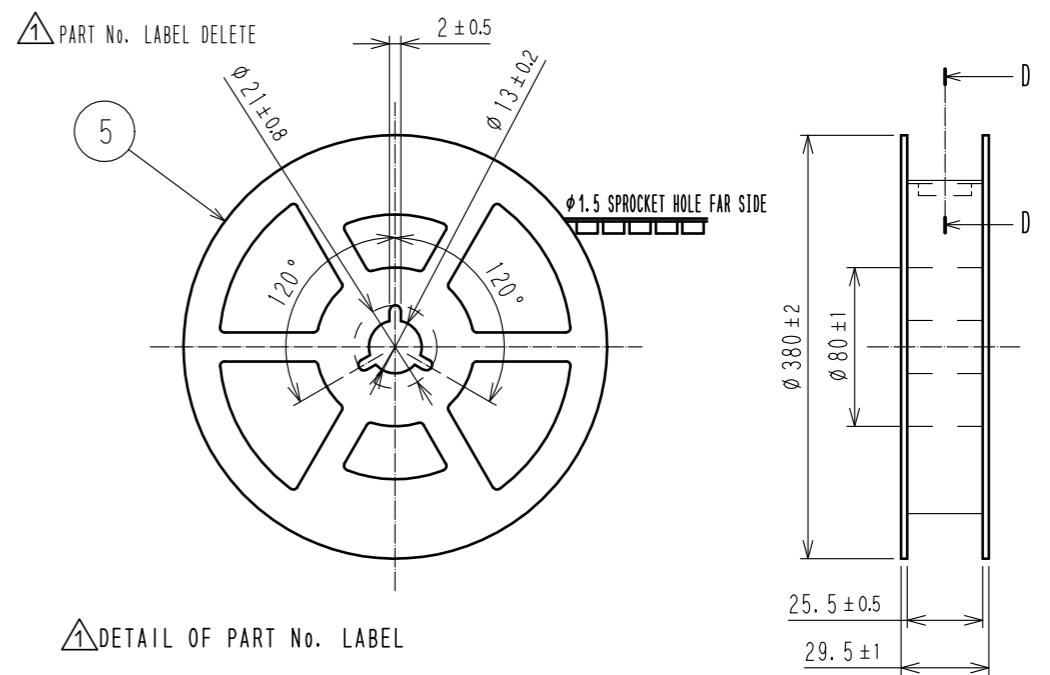
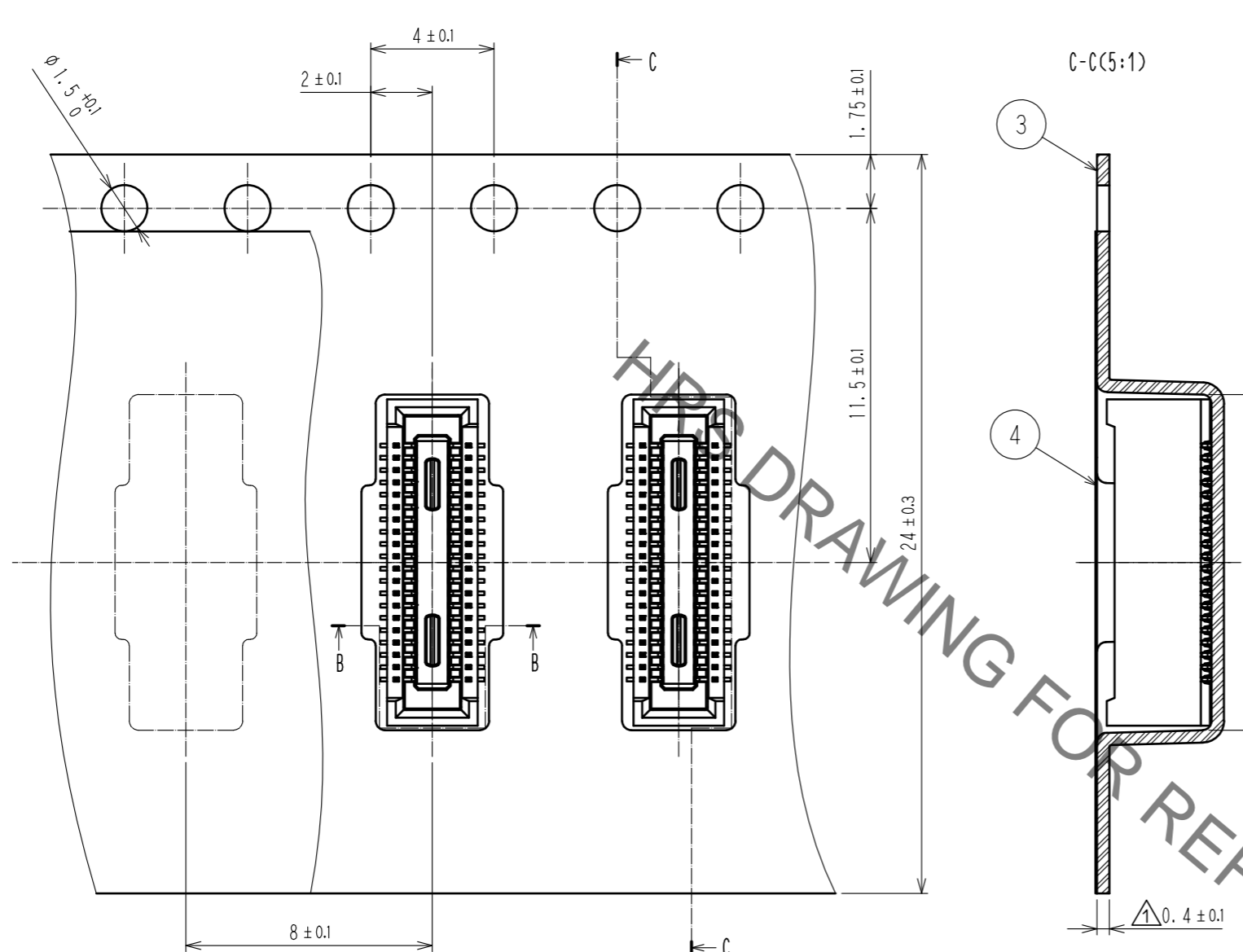
- NOTES
1. ALL LEADS CO-PLANARITY SHALL BE 0.1mm MAX.
  2. IS NO PATTERN AREA OTHER THAN THE SAME CIRCUIT.
  3. HRS MARK AND CAV NO. ARE INDICATED IN APPROXIMAL POSITION SHOWN.
  4. GATE POSITION IS POSITIONED IN PPROXIMAL AREA SHOWN.  
A PART OF THE WALL COULD BE NOTCHED FOR SETTING GATE.

|                                      |                 |                                |                                    |  |                              |                       |                  |
|--------------------------------------|-----------------|--------------------------------|------------------------------------|--|------------------------------|-----------------------|------------------|
| 2                                    | PHOSPHOR BRONZE | CONTACT AREA: GOLD 0.05 μm MIN | 6                                  | PS   | CLEAR, REINFORCEMENT COLLAR  |                       |                  |
|                                      |                 | SMT LEAD: GOLD 0.05 μm MIN     | 5                                  | PS   | BLACK, PLASTIC REEL          |                       |                  |
| 1                                    | LCP             | UNDERPLATING: NICKEL 1 μm MIN  | 4                                  | POLYESTER                                  | CLEAR, COVER TAPE            |                       |                  |
|                                      |                 | BLACK, UL94V-0                 | 3                                  | PS   | CLEAR, EMBOSSED CARRIER TAPE |                       |                  |
| NO.                                  | MATERIAL        | FINISH, REMARKS                | NO.                                | MATERIAL                                   | FINISH, REMARKS              |                       |                  |
| UNITS<br>mm                          |                 | SCALE<br>10:1                  | COUNT<br>5                         | DESCRIPTION OF REVISIONS<br>DIS-H-00009450 | DESIGNED<br>RH. KAGAMI       | CHECKED<br>YK. SATAKE | DATE<br>20210527 |
| <b>HRS</b> HIROSE ELECTRIC CO., LTD. |                 | APPROVED: MO. ISHIDA 20141120  | DRAWING NO. EDC3-354172-01         |  |                              |                       |                  |
|                                      |                 | CHECKED: TS. MIYAZAKI 20141120 | PART NO. DF40HC(3.5)-40DS-0.4V(51) |  |                              |                       |                  |
|                                      |                 | DESIGNED: SH. HOSODA 20141120  | CODE NO. CL0684-4209-9-51          |  |                              |                       |                  |
|                                      |                 | DRAWN: KR. AJITO 20141120      |                                    |  |                              |                       |                  |

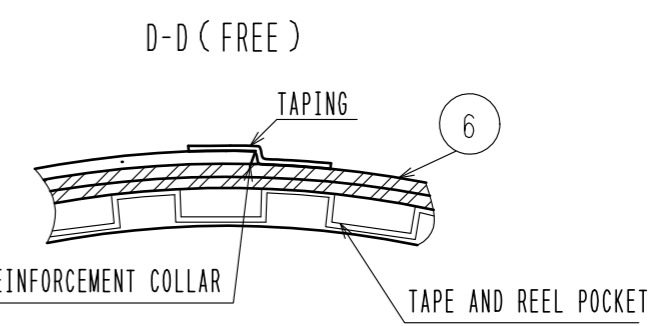
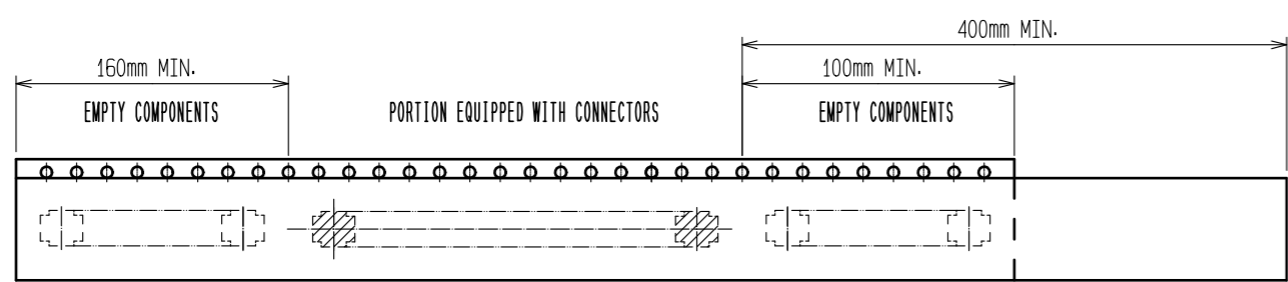
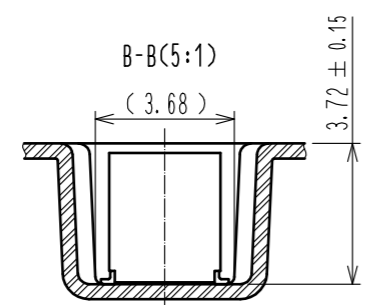
Sep.1.2021 Copyright 2021 HIROSE ELECTRIC CO., LTD. All Rights Reserved.  
In case of consideration for using Automotive equipment / device which demand high reliability, kindly contact our sales window correspondents.

EMBOSSED CARRIER TAPE (FREE)

STYLE AND DIMENSION OF REEL (FREE SIZE)



DRAWING FOR REFERENCE



- NOTES
- 5. PER REEL 2000 CONNECTORS.
  - 6. THE DIMENSIONS IN PARENTHESES ARE FOR REFERENCE.
  - 7. REFER TO JIS C 0806(IEC 60286-3)(PACKING OF COMPONENTS FOR AUTOMATIC HANDLING)
  - 8. DELETE.
  - 9. AFTER PACKAGING, ROLL 2 METERS OF THE REINFORCEMENT COLLAR TO OUTER CIRCUMFERENCE OF TAPE AND REEL POCKET, AND TAPE DOWN AT THE END THE COLLAR.

|     |             |                           |
|-----|-------------|---------------------------|
| HRS | DRAWING NO. | EDC3-354172-01            |
|     | PART NO.    | DF40HC(3.5)-40DS-0.4V(51) |
|     | CODE NO.    | CL0684-4209-9-51          |
|     |             | 2/2                       |

## X-ON Electronics

Largest Supplier of Electrical and Electronic Components

*Click to view similar products for [Board to Board & Mezzanine Connectors](#) category:*

*Click to view products by [Hirose](#) manufacturer:*

Other Similar products are found below :

[589158040000018](#) [MDF7C-18P-2.54DSA\(55\)](#) [FCN-230C068-11](#) [FCN-268F012-G/BD](#) [FCN-268F036-G/BD](#) [FCN-268M012-G/0D](#) [FCN-268M024-G/1D](#) [FCN-723J004/1](#) [MIS-048-01-F-D-DP-K](#) [832-10-034-10-001000](#) [FX4C-80S-1.27DSA](#) [FCN-214Q030-G/0](#) [FCN-234P048-G/0](#) [FCN-235D050-G/C](#) [210-93-314-41-105000](#) [2-22603-0](#) [MDF7-40DP-2.54DSA\(55\)](#) [AXG720047](#) [MIT-114-03-F-D-K](#) [55323-1519](#) [DF33-2P-3.3DSA\(24\)](#) [YFT-20-05-H-03-SB-K](#) [503308-3040](#) [026-6203-PDB](#) [027-6203-PDB](#) [069159702701000](#) [10123981-102LF](#) [101A10019X](#) [55650-0588-C](#) [68682-310LF](#) [68684-306](#) [75140-7012](#) [87471-650](#) [YTW-30-07-H-Q-410-140](#) [FCN-268F024-G0D](#) [10124054-515LF](#) [68685-603](#) [8-1616154-3](#) [MIS-019-01-F-D](#) [FCN-268M024-G/3D](#) [FCN-268M036-G/BD](#) [20021832-06016C1LF](#) [KX15-20KLDL-E1000E](#) [AXE810124](#) [FCN-214J100-G/0](#) [FCN-230C068-E/S](#) [AXE812124](#) [AXE816124](#) [AXE720127](#) [354184](#)