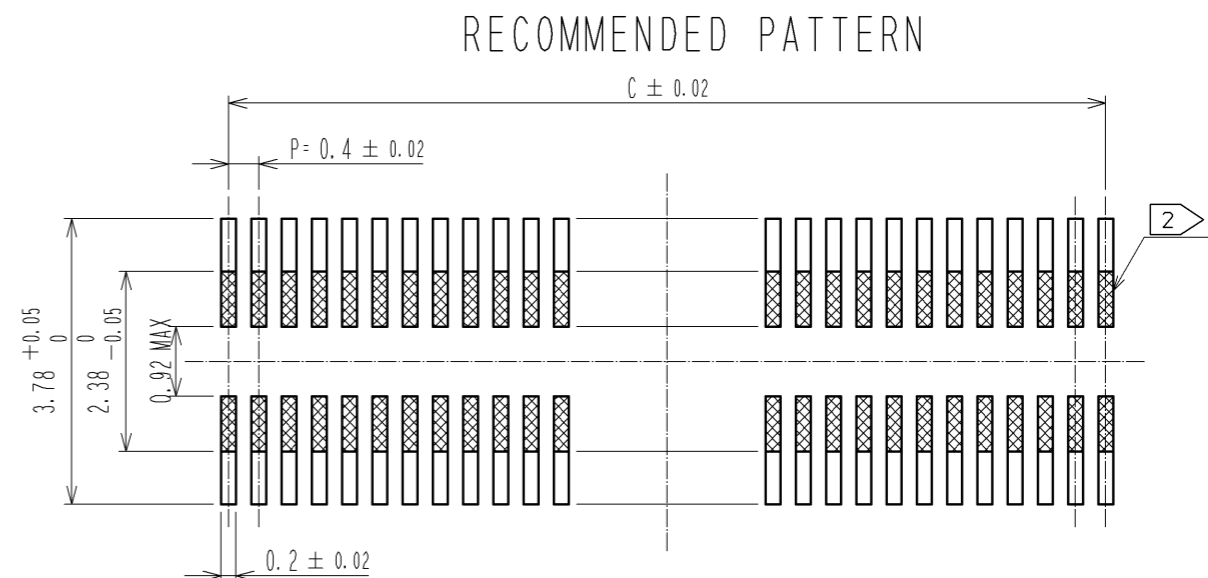
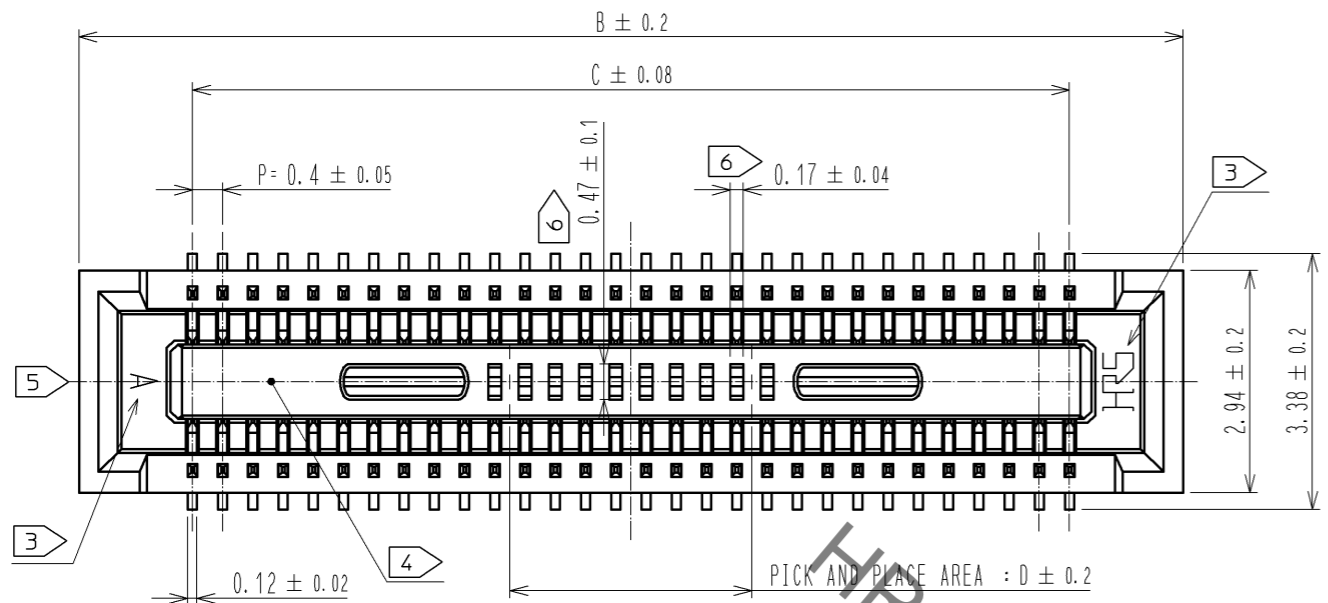
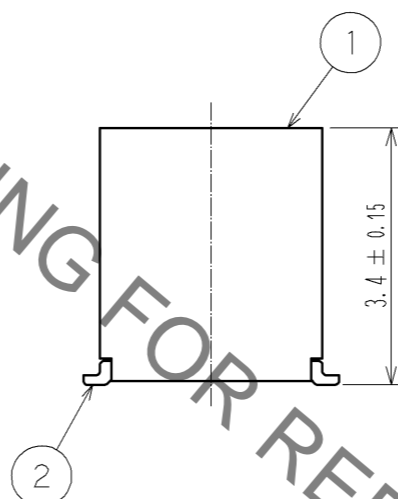
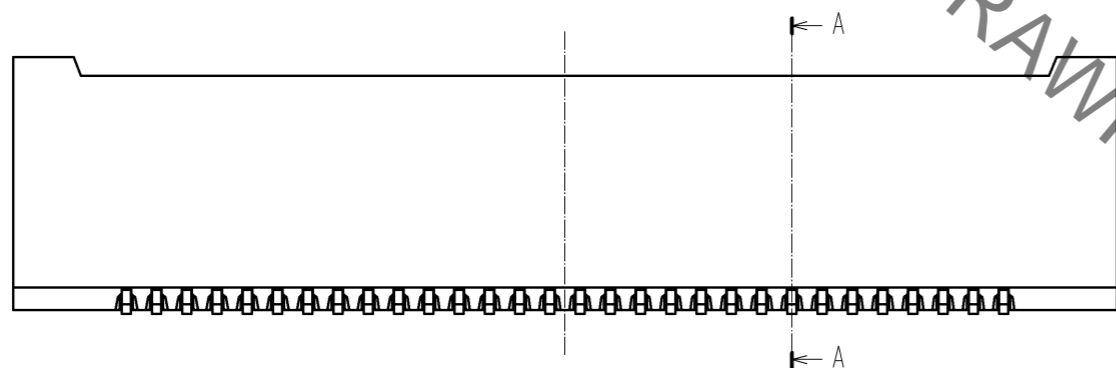


Aug.1.2021 Copyright 2021 HIROSE ELECTRIC CO., LTD. All Rights Reserved.  
 In case of consideration for using Automotive equipment / device which demand high reliability, kindly contact our sales window correspondents.



RECOMMENDED METAL MASK THICKNESS : 120 μm  
 RECOMMENDED METAL MASK OPENING RATIO : 80% FOR LEAD PAD

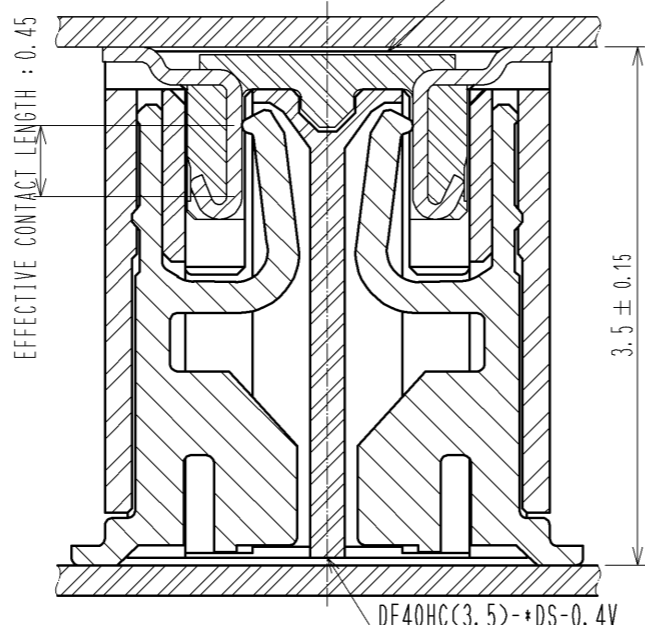
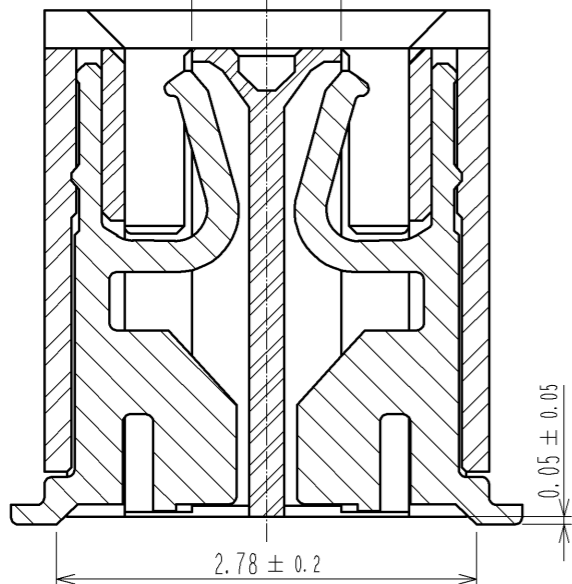


- NOTES )
1. ALL LEADS CO-PLANARITY SHALL BE 0.1 MAX.
  2. IS NO PATTERN AREA OTHER THAN THE SAME CIRCUIT.
  3. HRS MARK AND CAV NO. ARE INDICATED IN APPROXIMAL POSITION SHOWN.
  4. GATE POSITION OF 60 TO 100 POSITIONS IS POSITIONED IN PPROXIMAL AREA SHOWN.
  5. GATE POSITION OF 10 TO 50 POSITIONS IS POSITIONED IN APPROXIMAL AREA SHOWN. A PART OF THE WALL COULD BE NOTCHED FOR SETTING GATE.
  6. 60 TO 100 POSITIONS HAVE CONCAVE PORTION.

A-A(20:1)

ENGAGEMENT FIGURE (20:1)

PICK AND PLACE AREA : 0.99 ± 0.1



PART NO.	CODE NO.	B	C	D
DF40HC(3.5)-20DS-0.4V(51)	CL684-4188-0-51	6.6	3.6	1.0
DF40HC(3.5)-24DS-0.4V(51)	—	7.4	4.4	1.2
DF40HC(3.5)-30DS-0.4V(51)	CL684-4136-7-51	8.6	5.6	1.5
DF40HC(3.5)-40DS-0.4V(51)	CL684-4209-9-51	10.6	7.6	3.2
DF40HC(3.5)-44DS-0.4V(51)	—	11.4	8.4	3.2
DF40HC(3.5)-50DS-0.4V(51)	CL684-4109-4-51	12.6	9.6	3.2
DF40HC(3.5)-60DS-0.4V(51)	CL684-4102-5-51	14.6	11.6	3.2
DF40HC(3.5)-70DS-0.4V(51)	—	16.6	13.6	3.2
DF40HC(3.5)-80DS-0.4V(51)	CL684-4162-7-51	18.6	15.6	3.2
DF40HC(3.5)-90DS-0.4V(51)	—	20.6	17.6	3.2
DF40HC(3.5)-100DS-0.4V(51)	—	22.6	19.6	3.2

NO.	MATERIAL	FINISH . REMARKS	NO.	MATERIAL	FINISH . REMARKS
2	PHOSPHOR BRONZE	CONTACT AREA:GOLD 0.05 μm MIN SMT LEAD:GOLD 0.05 μm MIN UNDERPLATING:NICKEL 1 μm MIN	6	PS	CLEAR, REINFORCEMENT COLLAR
			5	PS	BLACK, PLASTIC REEL
			4	POLYESTER	CLEAR, COVER TAPE
1	LCP	BLACK, UL94V-0	3	PS	CLEAR, EMBOSSED CARRIER TAPE

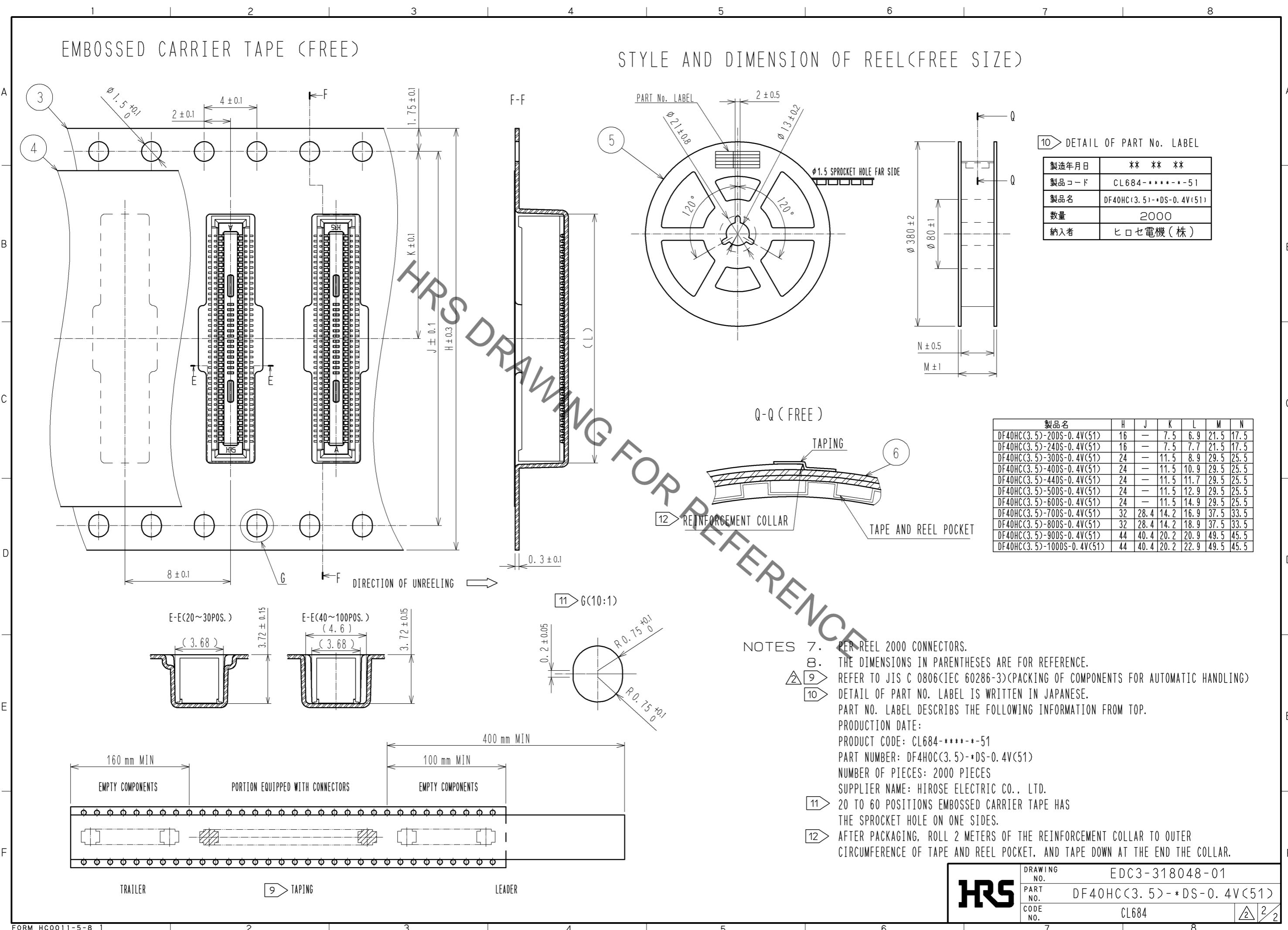
  

UNITS	SCALE	COUNT	DESCRIPTION OF REVISIONS	DESIGNED	CHECKED	DATE
mm	10:1	3	DIS-H-008330	KR. AJITO	TS. MIYAZAKI	13.11.26

APPROVED	DATE	DRAWING NO.
KH. IKEDA	10.07.13	EDC3-318048-01
CHECED	DATE	PART NO.
AR. TAKAHASHI	10.07.13	DF40HC(3.5)-*DS-0.4V(51)
DESIGNED	DATE	CODE NO.
TK. SUZUKI	10.07.12	CL684
DRAWN	DATE	
TK. SUZUKI	10.07.12	

Aug.1.2021 Copyright 2021 HIROSE ELECTRIC CO., LTD. All Rights Reserved.  
In case of consideration for using Automotive equipment / device which demand high reliability, kindly contact our sales window correspondents.



EMBOSSED CARRIER TAPE (FREE)

STYLE AND DIMENSION OF REEL (FREE SIZE)

10 DETAIL OF PART No. LABEL

製造年月日	** ** *
製品コード	CL684-****-51
製品名	DF40HC(3.5)-*DS-0.4V(51)
数量	2000
納入者	ヒロセ電機(株)

製品名	H	J	K	L	M	N
DF40HC(3.5)-20DS-0.4V(51)	16	—	7.5	6.9	21.5	17.5
DF40HC(3.5)-24DS-0.4V(51)	16	—	7.5	7.7	21.5	17.5
DF40HC(3.5)-30DS-0.4V(51)	24	—	11.5	8.9	29.5	25.5
DF40HC(3.5)-40DS-0.4V(51)	24	—	11.5	10.9	29.5	25.5
DF40HC(3.5)-44DS-0.4V(51)	24	—	11.5	11.7	29.5	25.5
DF40HC(3.5)-50DS-0.4V(51)	24	—	11.5	12.9	29.5	25.5
DF40HC(3.5)-60DS-0.4V(51)	24	—	11.5	14.9	29.5	25.5
DF40HC(3.5)-70DS-0.4V(51)	32	28.4	14.2	16.9	37.5	33.5
DF40HC(3.5)-80DS-0.4V(51)	32	28.4	14.2	18.9	37.5	33.5
DF40HC(3.5)-90DS-0.4V(51)	44	40.4	20.2	20.9	49.5	45.5
DF40HC(3.5)-100DS-0.4V(51)	44	40.4	20.2	22.9	49.5	45.5

- NOTES
7. PER REEL 2000 CONNECTORS.
  8. THE DIMENSIONS IN PARENTHESES ARE FOR REFERENCE.
  9. REFER TO JIS C 0806(IEC 60286-3)(PACKING OF COMPONENTS FOR AUTOMATIC HANDLING)
  10. DETAIL OF PART NO. LABEL IS WRITTEN IN JAPANESE. PART NO. LABEL DESCRIBES THE FOLLOWING INFORMATION FROM TOP.  
 PRODUCTION DATE:  
 PRODUCT CODE: CL684-\*\*\*\*-51  
 PART NUMBER: DF40HC(3.5)-\*DS-0.4V(51)  
 NUMBER OF PIECES: 2000 PIECES  
 SUPPLIER NAME: HIROSE ELECTRIC CO., LTD.
  11. 20 TO 60 POSITIONS EMBOSSED CARRIER TAPE HAS THE SPROCKET HOLE ON ONE SIDES.
  12. AFTER PACKAGING, ROLL 2 METERS OF THE REINFORCEMENT COLLAR TO OUTER CIRCUMFERENCE OF TAPE AND REEL POCKET, AND TAPE DOWN AT THE END THE COLLAR.

<b>HRS</b>	DRAWING NO.	EDC3-318048-01
	PART NO.	DF40HC(3.5)-*DS-0.4V(51)
	CODE NO.	CL684

## X-ON Electronics

Largest Supplier of Electrical and Electronic Components

*Click to view similar products for [Board to Board & Mezzanine Connectors](#) category:*

*Click to view products by [Hirose](#) manufacturer:*

Other Similar products are found below :

[589158040000018](#) [MDF7C-18P-2.54DSA\(55\)](#) [FCN-230C068-11](#) [FCN-268F012-G/BD](#) [FCN-268F036-G/BD](#) [FCN-268M012-G/0D](#) [FCN-268M024-G/1D](#) [FCN-723J004/1](#) [MIS-048-01-F-D-DP-K](#) [832-10-034-10-001000](#) [FX4C-80S-1.27DSA](#) [FCN-214Q030-G/0](#) [FCN-234P048-G/0](#) [FCN-235D050-G/C](#) [210-93-314-41-105000](#) [2-22603-0](#) [MDF7-40DP-2.54DSA\(55\)](#) [AXG720047](#) [MIT-114-03-F-D-K](#) [55323-1519](#) [DF33-2P-3.3DSA\(24\)](#) [YFT-20-05-H-03-SB-K](#) [503308-3040](#) [026-6203-PDB](#) [027-6203-PDB](#) [069159702701000](#) [10123981-102LF](#) [101A10019X](#) [55650-0588-C](#) [68682-310LF](#) [68684-306](#) [75140-7012](#) [87471-650](#) [YTW-30-07-H-Q-410-140](#) [FCN-268F024-G0D](#) [10124054-515LF](#) [68685-603](#) [8-1616154-3](#) [MIS-019-01-F-D](#) [FCN-268M024-G/3D](#) [FCN-268M036-G/BD](#) [20021832-06016C1LF](#) [KX15-20KLDL-E1000E](#) [AXE810124](#) [FCN-214J100-G/0](#) [FCN-230C068-E/S](#) [AXE812124](#) [AXE816124](#) [AXE720127](#) [354184](#)