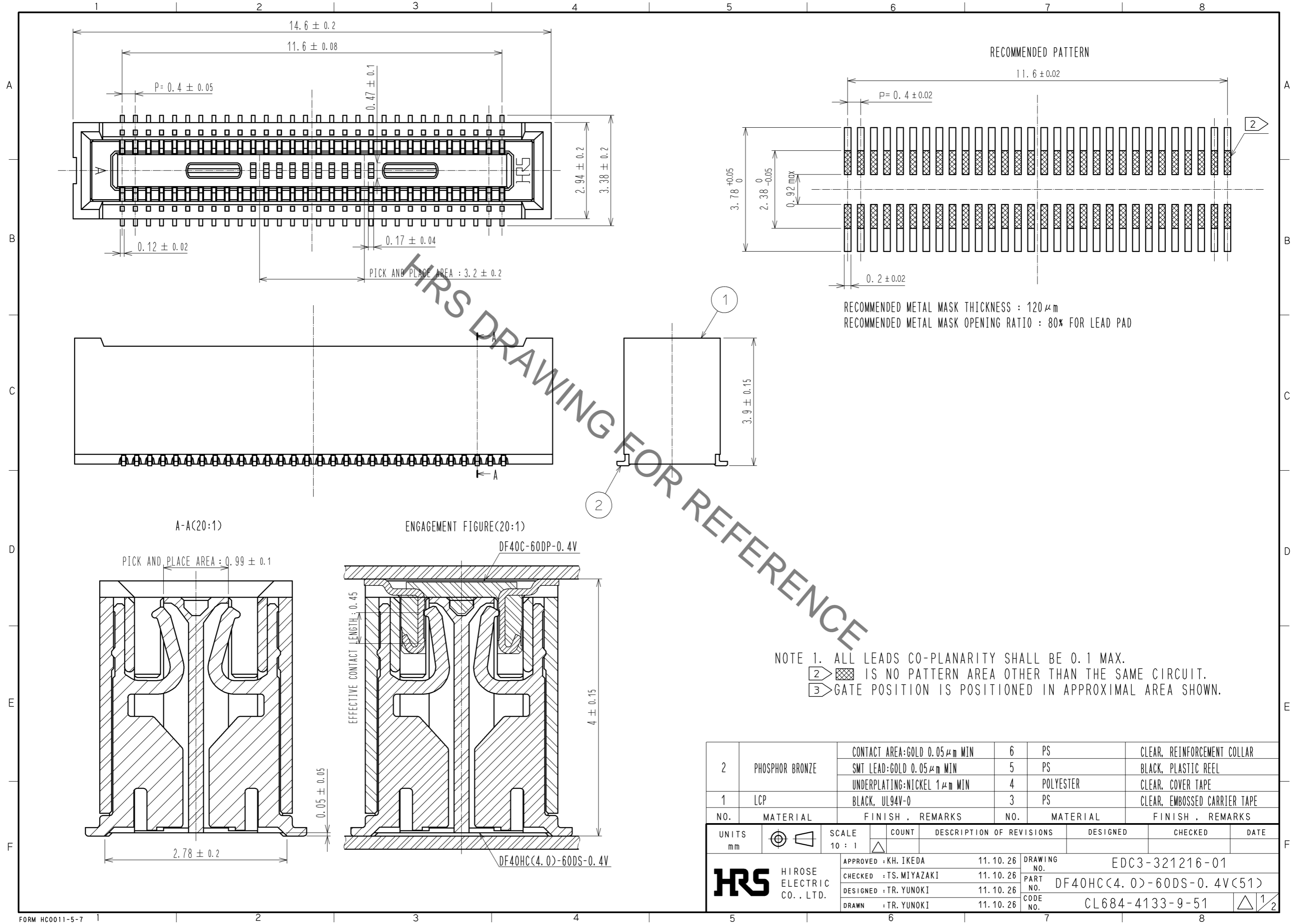


Aug.1.2021 Copyright 2021 HIROSE ELECTRIC CO., LTD. All Rights Reserved.
 In case of consideration for using Automotive equipment / device which demand high reliability, kindly contact our sales window correspondents.



NOTE 1. ALL LEADS CO-PLANARITY SHALL BE 0.1 MAX.
 2. IS NO PATTERN AREA OTHER THAN THE SAME CIRCUIT.
 3. GATE POSITION IS POSITIONED IN APPROXIMAL AREA SHOWN.

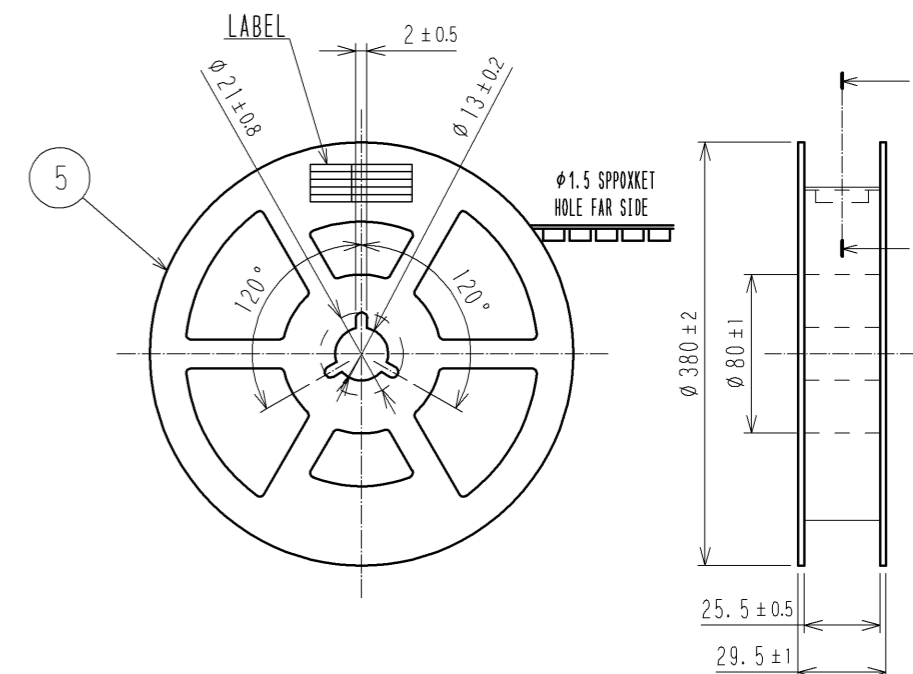
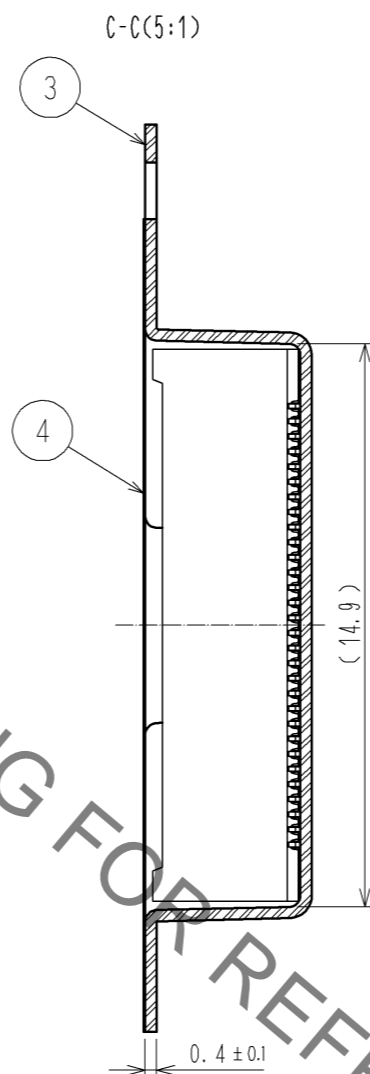
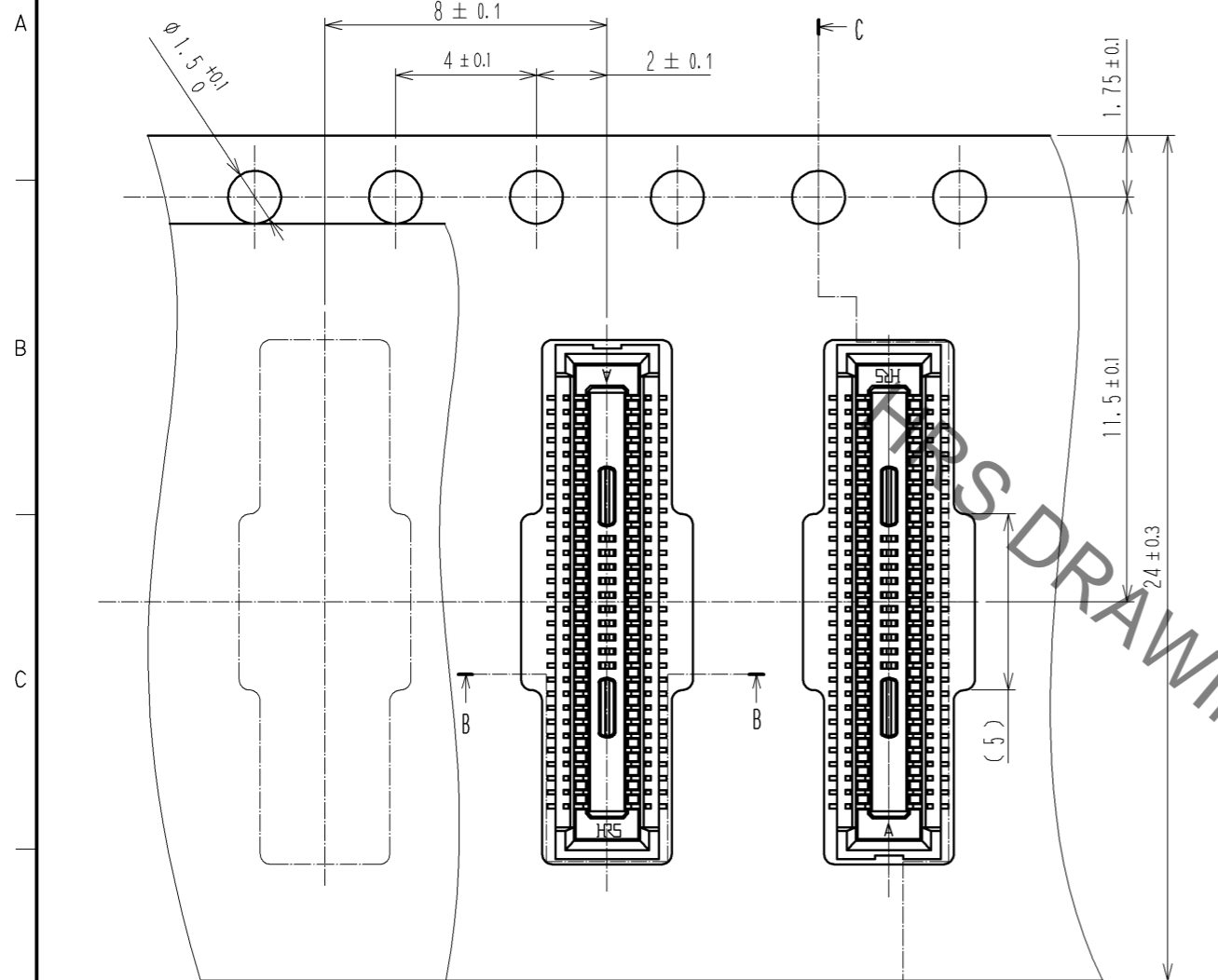
| NO. | MATERIAL | FINISH . REMARKS | NO. | MATERIAL | FINISH . REMARKS |
|-----|-----------------|---|-----|-----------|------------------------------|
| 2 | PHOSPHOR BRONZE | CONTACT AREA:GOLD $0.05 \mu\text{m}$ MIN SMT LEAD:GOLD $0.05 \mu\text{m}$ MIN UNDERPLATING:NICKEL $1 \mu\text{m}$ MIN | 6 | PS | CLEAR, REINFORCEMENT COLLAR |
| 1 | LCP | BLACK, UL94V-0 | 5 | PS | BLACK, PLASTIC REEL |
| | | | 4 | POLYESTER | CLEAR, COVER TAPE |
| | | | 3 | PS | CLEAR, EMBOSSED CARRIER TAPE |

| UNITS | SCALE | COUNT | DESCRIPTION OF REVISIONS | DESIGNED | CHECKED | DATE |
|------------------------|--------|-------|--------------------------|------------------------------------|---------|------|
| mm | 10 : 1 | △ | | | | |
| APPROVED : KH. IKEDA | | | 11.10.26 | DRAWING NO. EDC3-321216-01 | | |
| CHECKED : TS. MIYAZAKI | | | 11.10.26 | PART NO. DF40HC(4.0)-60DS-0.4V(51) | | |
| DESIGNED : TR. YUNOKI | | | 11.10.26 | CODE NO. CL684-4133-9-51 | | |
| DRAWN : TR. YUNOKI | | | 11.10.26 | △ 1/2 | | |

Aug.1.2021 Copyright 2021 HIROSE ELECTRIC CO., LTD. All Rights Reserved.
In case of consideration for using Automotive equipment / device which demand high reliability, kindly contact our sales window correspondents.

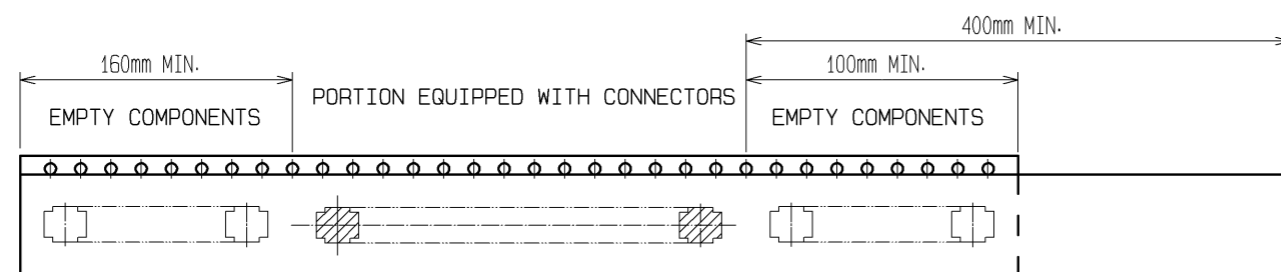
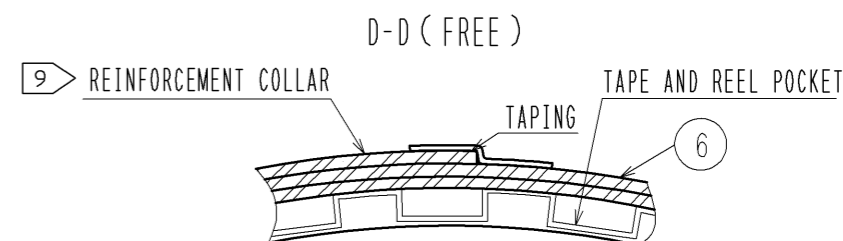
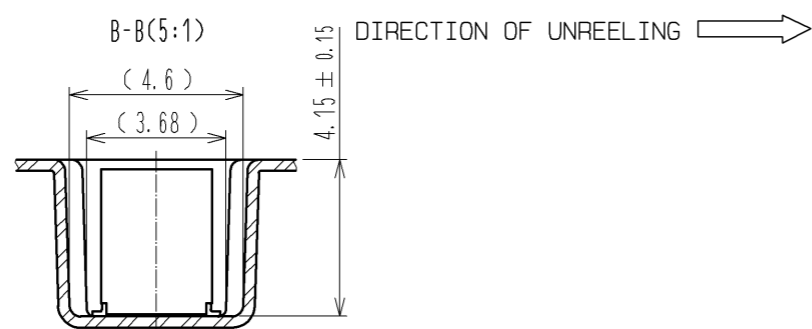
SCALE (5:1)

STYLE AND DIMENSION OF REEL (FREE SIZE)



7 > DETAIL OF PART NO. LABEL

| | |
|-------|---------------------------|
| 製造年月日 | ** ** * |
| 製品コード | CL684-4133-9-51 |
| 製品名 | DF40HC(4.0)-60DS-0.4V(51) |
| 数量 | 2000 |
| 納入者 | ヒロセ電機(株) |



- NOTES)
- PER REEL 2000 CONNECTORS.
 - THE DIMENSIONS IN PARENTHESSES ARE FOR REFERENCE.
 - REFER TO JIS C 0806(PACKING OF COMPONENTS FOR AUTOMATIC HANDLING)
 - DETAIL OF PART NO. LABEL IS WRITTEN IN JAPANESE.
PRODUCTION DATE:
PRODUCT CODE: CL684-4133-9-51
PART NUMBER: DF40HC(4.0)-60DS-0.4V(51)
NUMBER OF PIECES: 2000 PIECES
SUPPLIER NAME: HIROSE ELECTRIC CO., LTD.
 - THE POCKET SHAPE IS DIFFERENT AT INTERVALS OF FOUR POKCES TO AVOID OVERLAP.
 - AFTER PACKAGING, ROLL 2 METERS OF THE REINFORCEMENT COLLAR TO OUTER CIRCUMFERENCE OF TAPE AND REEL POCKET, AND TAPE DOWN AT THE END THE COLLAR.

| | | | |
|------------|-------------|---------------------------|-------|
| HRS | DRAWING NO. | EDC3-321216-01 | |
| | PART NO. | DF40HC(4.0)-60DS-0.4V(51) | |
| | CODE NO. | CL684-4133-9-51 | △ 2/2 |
| | | | |

X-ON Electronics

Largest Supplier of Electrical and Electronic Components

Click to view similar products for [Board to Board & Mezzanine Connectors](#) category:

Click to view products by [Hirose](#) manufacturer:

Other Similar products are found below :

[589158040000018](#) [MDF7C-18P-2.54DSA\(55\)](#) [FCN-230C068-11](#) [FCN-268F012-G/BD](#) [FCN-268F036-G/BD](#) [FCN-268M012-G/0D](#) [FCN-268M024-G/1D](#) [FCN-723J004/1](#) [MIS-048-01-F-D-DP-K](#) [832-10-034-10-001000](#) [FX4C-80S-1.27DSA](#) [FCN-214Q030-G/0](#) [FCN-234P048-G/0](#) [FCN-235D050-G/C](#) [210-93-314-41-105000](#) [2-22603-0](#) [MDF7-40DP-2.54DSA\(55\)](#) [AXG720047](#) [MIT-114-03-F-D-K](#) [55323-1519](#) [DF33-2P-3.3DSA\(24\)](#) [YFT-20-05-H-03-SB-K](#) [503308-3040](#) [026-6203-PDB](#) [027-6203-PDB](#) [069159702701000](#) [10123981-102LF](#) [101A10019X](#) [55650-0588-C](#) [68682-310LF](#) [68684-306](#) [75140-7012](#) [87471-650](#) [YTW-30-07-H-Q-410-140](#) [FCN-268F024-G0D](#) [10124054-515LF](#) [68685-603](#) [8-1616154-3](#) [MIS-019-01-F-D](#) [FCN-268M024-G/3D](#) [FCN-268M036-G/BD](#) [20021832-06016C1LF](#) [KX15-20KLDL-E1000E](#) [AXE810124](#) [FCN-214J100-G/0](#) [FCN-230C068-E/S](#) [AXE812124](#) [AXE816124](#) [AXE720127](#) [354184](#)