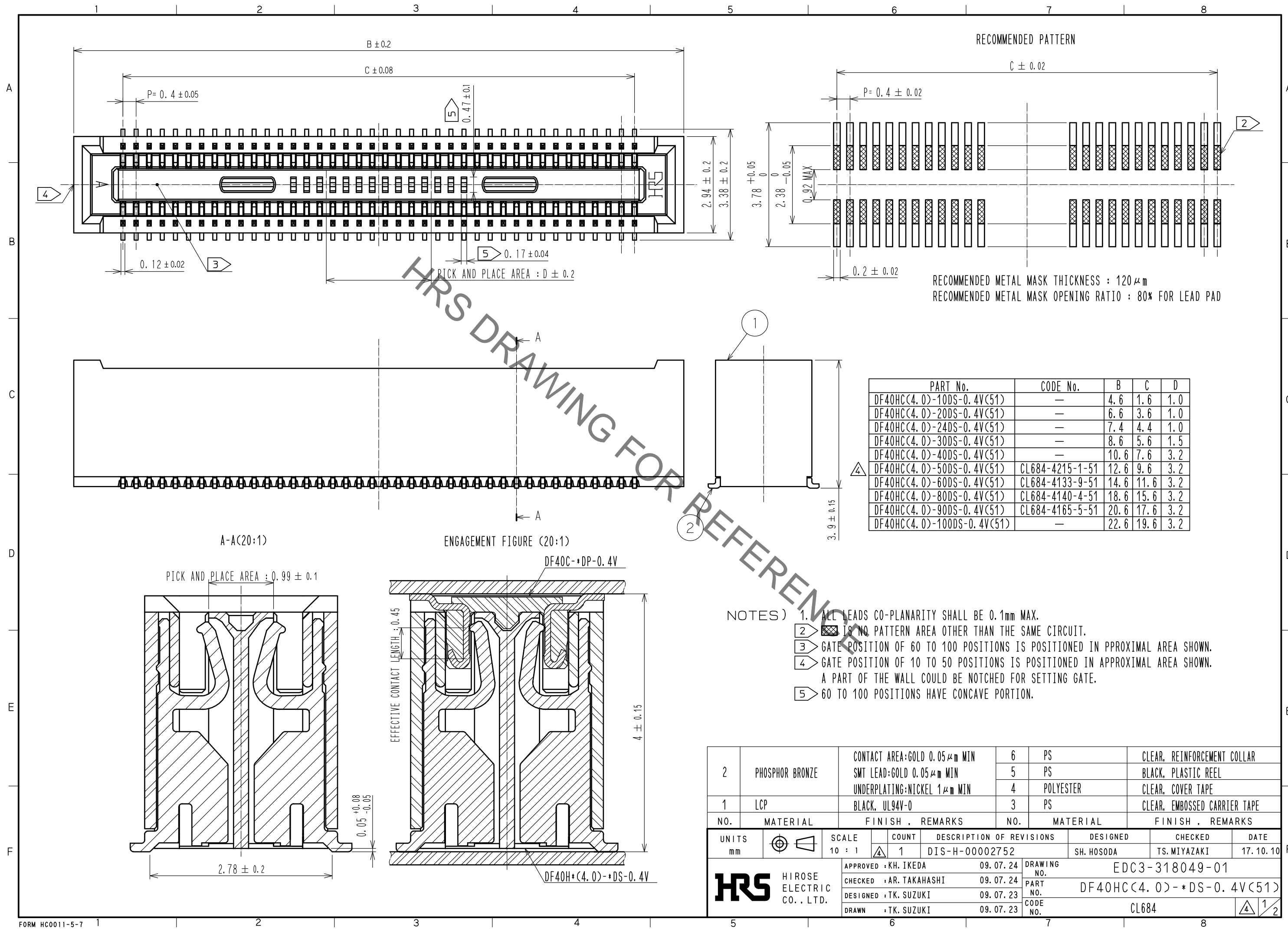


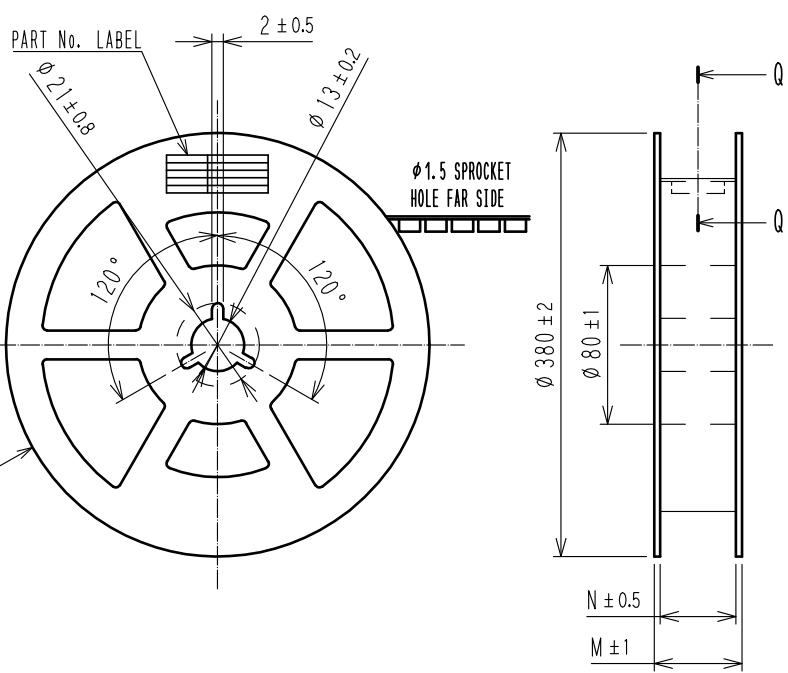
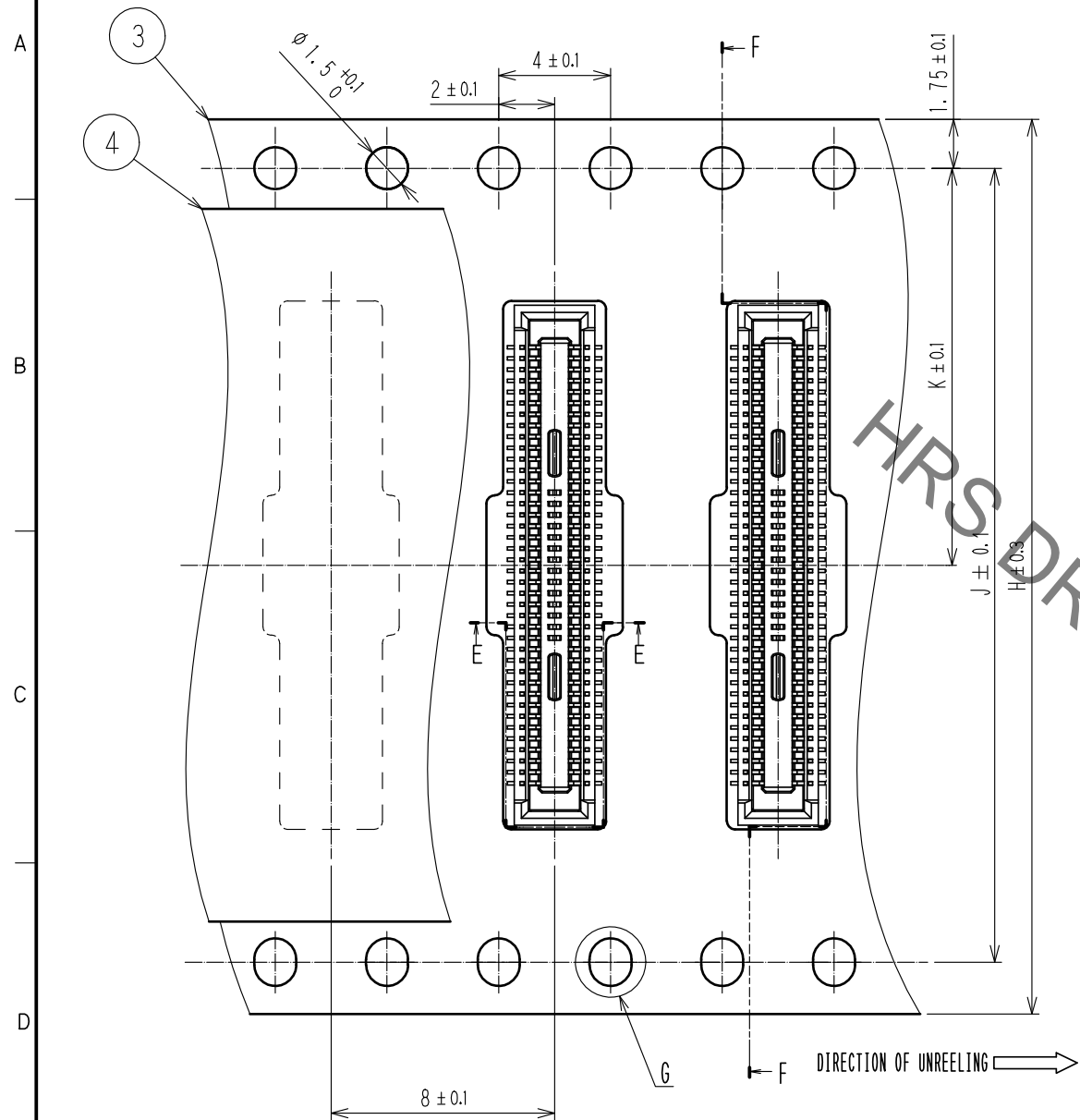
Sep.1.2021 Copyright 2021 HIROSE ELECTRIC CO., LTD. All Rights Reserved.
In case of consideration for using Automotive equipment / device which demand high reliability, kindly contact our sales window correspondents.



Sep.1.2021 Copyright 2021 HIROSE ELECTRIC CO., LTD. All Rights Reserved.
In case of consideration for using Automotive equipment / device which demand high reliability, kindly contact our sales window correspondents.

EMBOSSED CARRIER TAPE (5:1)

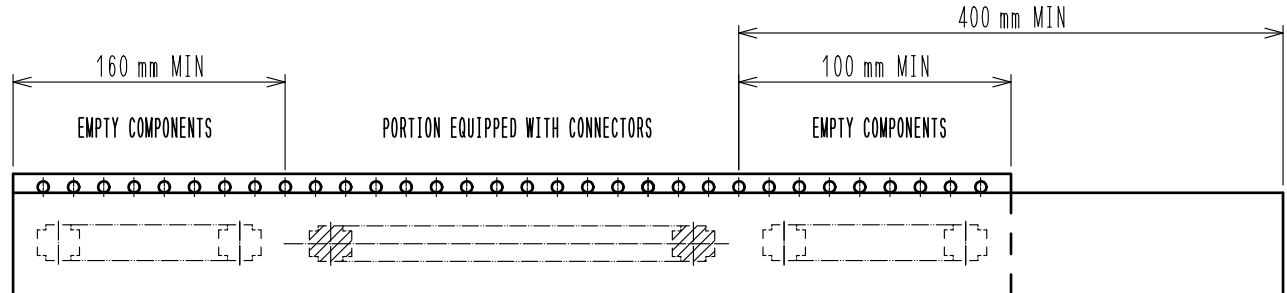
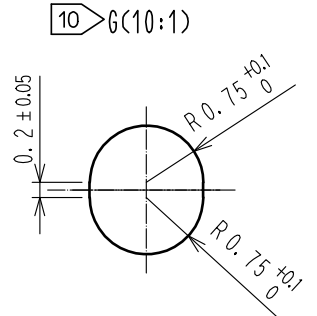
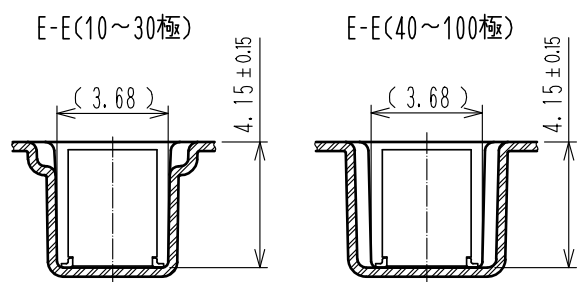
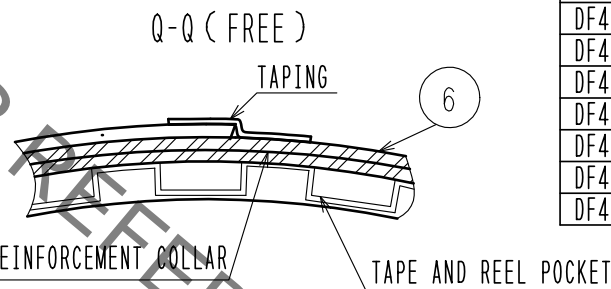
STYLE AND DIMENSION OF REEL (FREE SIZE)



9 DETAIL OF PART NO. LABEL

| | |
|-------|--------------------------|
| 製造年月日 | ** ** * |
| 製品コード | CL684-****-51 |
| 製品名 | DF40HC(4.0)-*DS-0.4V(51) |
| 数量 | 2000 |
| 納入者 | ヒロセ電機(株) |

| PART No. | H | J | K | L | M | N |
|----------------------------|----|------|------|------|------|------|
| DF40HC(4.0)-10DS-0.4V(51) | 16 | — | 7.5 | 4.9 | 21.5 | 17.5 |
| DF40HC(4.0)-20DS-0.4V(51) | 16 | — | 7.5 | 6.9 | 21.5 | 17.5 |
| DF40HC(4.0)-24DS-0.4V(51) | 16 | — | 7.5 | 7.7 | 21.5 | 17.5 |
| DF40HC(4.0)-30DS-0.4V(51) | 24 | — | 11.5 | 8.9 | 29.5 | 25.5 |
| DF40HC(4.0)-40DS-0.4V(51) | 24 | — | 11.5 | 10.9 | 29.5 | 25.5 |
| DF40HC(4.0)-50DS-0.4V(51) | 24 | — | 11.5 | 12.9 | 29.5 | 25.5 |
| DF40HC(4.0)-60DS-0.4V(51) | 24 | — | 11.5 | 14.9 | 29.5 | 25.5 |
| DF40HC(4.0)-80DS-0.4V(51) | 32 | 28.4 | 14.2 | 18.9 | 37.5 | 33.5 |
| DF40HC(4.0)-90DS-0.4V(51) | 44 | 40.4 | 20.2 | 20.9 | 49.5 | 45.5 |
| DF40HC(4.0)-100DS-0.4V(51) | 44 | 40.4 | 20.2 | 22.9 | 49.5 | 45.5 |



- NOTES) 6. PER REEL 2000 CONNECTORS.
7. THE DIMENSIONS IN PARENTHESES ARE FOR REFERENCE.
8 REFER TO JIS C 0806(PACKING OF COMPONENTS FOR AUTOMATIC HANDLING)
9 DETAIL OF PART NO. LABEL IS WRITTEN IN JAPANESE.
PRODUCTION DATE:
PRODUCT CODE: CL684-****-51
PART NUMBER: DF40HC(4.0)-*DS-0.4V(51)
NUMBER OF PIECES: 2000 PIECES
SUPPLIER NAME: HIROSE ELECTRIC CO., LTD.
10 20 TO 60 POSITIONS EMBOSSED CARRIER TAPE HAS THE SPROCKET HOLE ON ONE SIDES.
11 AFTER PACKAGING, ROLL 2 METERS OF THE REINFORCEMENT COLLAR TO OUTER CIRCUMFERENCE OF TAPE AND REEL POCKET, AND TAPE DOWN AT THE END THE COLLAR.

| | | |
|------------|-------------|--------------------------|
| HRS | DRAWING NO. | EDC3-318049-01 |
| | PART NO. | DF40HC(4.0)-*DS-0.4V(51) |
| | CODE NO. | CL684 |

X-ON Electronics

Largest Supplier of Electrical and Electronic Components

Click to view similar products for [Board to Board & Mezzanine Connectors](#) category:

Click to view products by [Hirose](#) manufacturer:

Other Similar products are found below :

[589158040000018](#) [FCN-230C068-11](#) [FCN-268F012-G/BD](#) [FCN-268F036-G/BD](#) [FCN-268M012-G/0D](#) [FCN-268M024-G/1D](#) [FCN-723J004/1](#) [MIS-048-01-F-D-DP-K](#) [832-10-034-10-001000](#) [FX4C-80S-1.27DSA](#) [FCN-214Q030-G/0](#) [FCN-234P048-G/0](#) [FCN-235D050-G/C](#) [2-22603-0](#) [AXG720047](#) [5031084030](#) [MIT-114-03-F-D-K](#) [55323-1519](#) [YFT-20-05-H-03-SB-K](#) [503308-3040](#) [026-6203-PDB](#) [027-6203-PDB](#) [069159702701000](#) [10123981-102LF](#) [101A10019X](#) [55650-0588-C](#) [68682-310LF](#) [68684-306](#) [75140-7012](#) [87471-650](#) [YTW-30-07-H-Q-410-140](#) [194261-1](#) [FCN-268F024-G0D](#) [10124054-515LF](#) [68685-603](#) [8-1616154-3](#) [MIS-019-01-F-D](#) [FCN-268M024-G/3D](#) [FCN-268M036-G/BD](#) [20021832-06016C1LF](#) [KX15-20KLDL-E1000E](#) [AXE810124](#) [FCN-214J100-G/0](#) [FCN-230C068-E/S](#) [AXE812124](#) [AXE816124](#) [AXE720127](#) [354184](#) [MIT-019-04-F-D-K](#) [P50-028-DDS-TG](#)