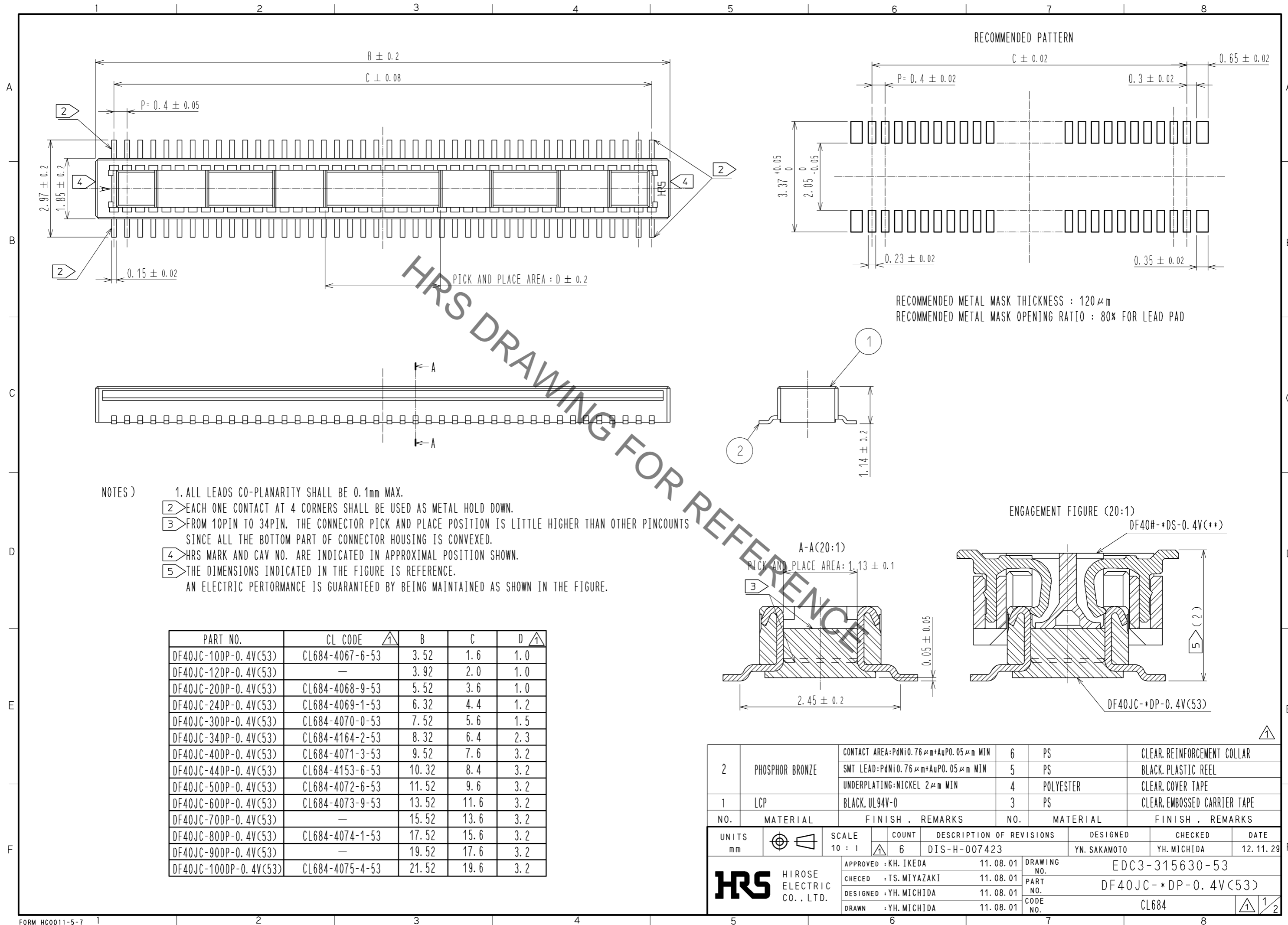


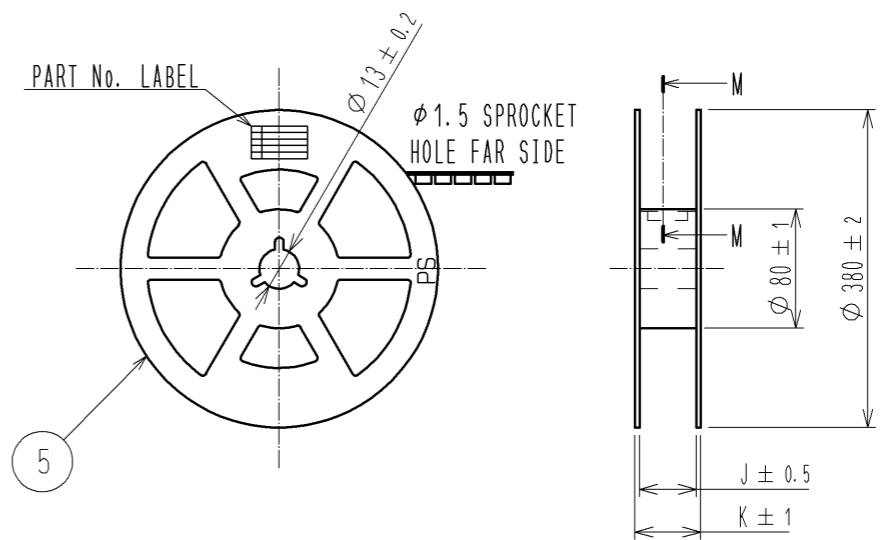
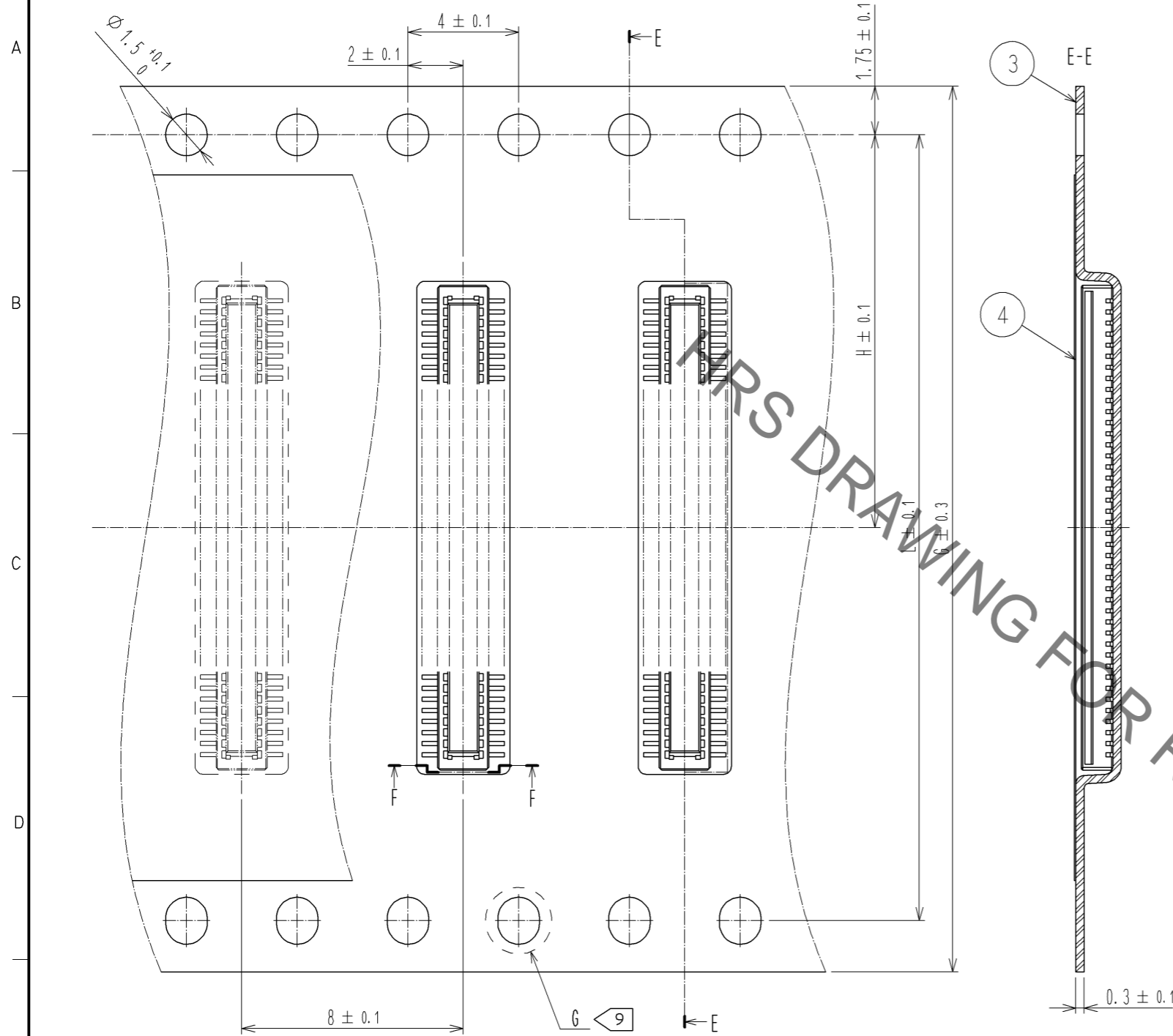
Oct.1.2019 Copyright 2019 HIROSE ELECTRIC CO., LTD. All Rights Reserved.  
In case of consideration for using Automotive equipment / device which demand high reliability, kindly contact our sales window correspondents.



Oct.1.2019 Copyright 2019 HIROSE ELECTRIC CO., LTD. All Rights Reserved.  
 In case of consideration for using Automotive equipment / device which demand high reliability, kindly contact our sales window correspondents.

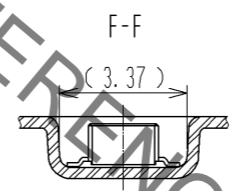
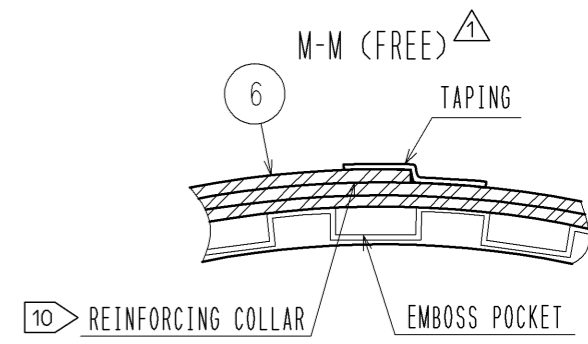
SCALE(FREE)

STYLE AND DIMENSION OF REEL (FREE SIZE)

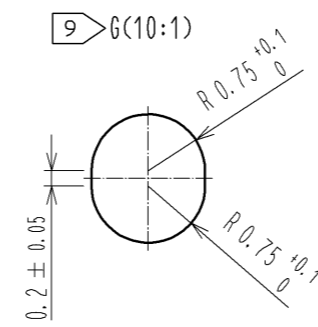
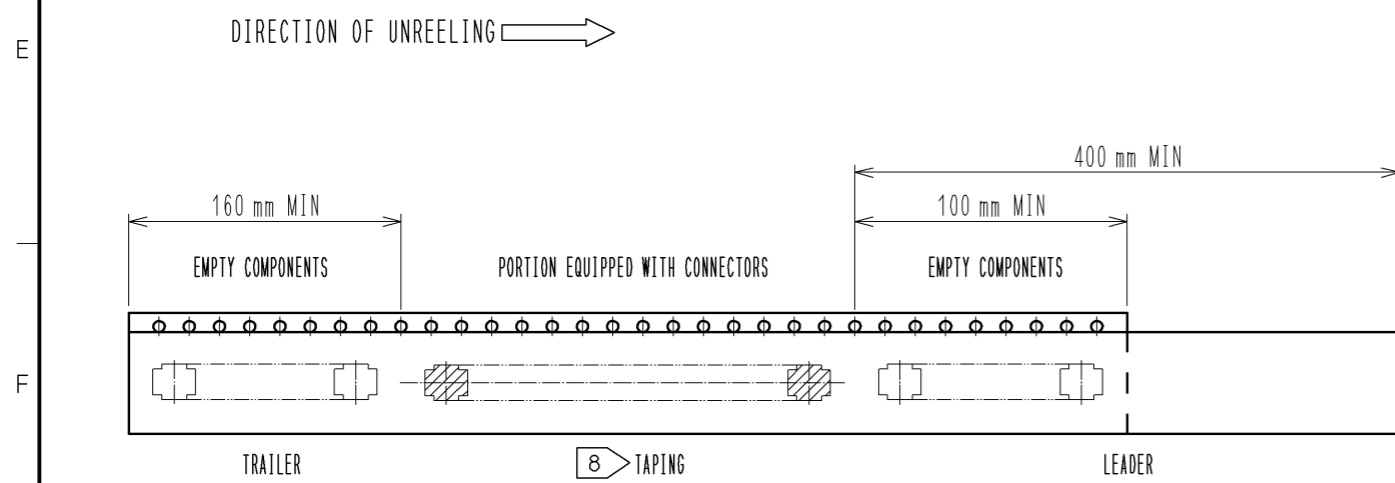


DETAIL OF PART No. LABEL

SUPPLIER	
QUANTITY	
PART NO.	
CODE NO.	
DATE OF MANUFACTURED	
生産月日	年 月 日
図番	CL684-****-*-53
品名	DF40JC- <i>DP</i> -0.4V(53)
納入数量	200個
納入者	ヒロセ電機(株)



PART NO.	G	H	J	K	L
DF40JC-10DP-0.4V(53)	12	5.5	13.5	17.5	—
DF40JC-12DP-0.4V(53)	12	5.5	13.5	17.5	—
DF40JC-20DP-0.4V(53)	16	7.5	17.5	21.5	—
DF40JC-24DP-0.4V(53)	16	7.5	17.5	21.5	—
DF40JC-30DP-0.4V(53)	16	7.5	17.5	21.5	—
DF40JC-34DP-0.4V(53)	24	11.5	25.5	29.5	—
DF40JC-40DP-0.4V(53)	24	11.5	25.5	29.5	—
DF40JC-44DP-0.4V(53)	24	11.5	25.5	29.5	—
DF40JC-50DP-0.4V(53)	24	11.5	25.5	29.5	—
DF40JC-60DP-0.4V(53)	24	11.5	25.5	29.5	—
DF40JC-70DP-0.4V(53)	32	14.2	33.5	37.5	28.4
DF40JC-80DP-0.4V(53)	32	14.2	33.5	37.5	28.4
DF40JC-90DP-0.4V(53)	44	20.2	45.5	49.5	40.4
DF40JC-100DP-0.4V(53)	44	20.2	45.5	49.5	40.4



- NOTES) 6. PER REEL 200 CONNECTORS.  
 7. THE DIMENSIONS IN PARENTHESES ARE FOR REFERENCE.  
 8 REFER TO JIS C 0806(IEC 60286-3)  
 (PACKING OF COMPONENTS FOR AUTOMATIC HANDLING)  
 9 10 TO 60 POSITIONS EMBOSSED CARRIER TAPE HAS THE SPROCKET HOLE ON ONE SIDES.  
 10 AFTER PACKAGING, ROLL 2 METERS OF THE REINFORCEMENT COLLAR TO OUTER CIRCUMFERENCE OF TAPE AND REEL POCKET, AND TAPE DOWN AT THE END THE COLLAR.

<b>HRS</b>	DRAWING NO.	EDC3-315630-53
	PART NO.	DF40JC- <i>DP</i> -0.4V(53)
	CODE NO.	CL684

## X-ON Electronics

Largest Supplier of Electrical and Electronic Components

*Click to view similar products for [Board to Board & Mezzanine Connectors](#) category:*

*Click to view products by [Hirose](#) manufacturer:*

Other Similar products are found below :

[10135583-642402LF](#) [89885-310LF](#) [589158040000018](#) [6-1393048-0](#) [68683-613](#) [MDF7-12DP-2.54DSA](#) [MDF7-18P-2.54DSA\(01\)](#) [MDF7-20DP-2.54DSA](#) [MDF7-26D-2.54DSA\(55\)](#) [MDF7-3P-2.54DSA\(01\)](#) [MDF7B-20P-2.54DSA\(01\)](#) [MDF7B-3P-2.54DSA\(55\)](#) [MDF7C-18P-2.54DSA\(55\)](#) [MDF7P-5P-2.54DSA\(55\)](#) [75234-0516](#) [FCN-230C068-11](#) [FCN-268F012-G/BD](#) [FCN-268F036-G/BD](#) [FCN-268M012-G/0D](#) [FCN-268M024-G/1D](#) [FCN-360C008-C](#) [FCN-723J004/1](#) [MIS-048-01-F-D-DP-K](#) [832-10-034-10-001000](#) [93696-325LF](#) [11828-1FA](#) [AXK630345P](#) [18097-0013](#) [2007042-2](#) [304400-2](#) [FCN-214Q030-G/0](#) [FCN-215Q040-G/0](#) [FCN-230C068-ESA](#) [FCN-234P048-G/0](#) [FCN-235D050-G/C](#) [FCN-360A3](#) [FCN-360C040-B](#) [210-93-314-41-105000](#) [2-22603-0](#) [379-064-521-202](#) [MDF7-12P-2.54DSA\(01\)](#) [MDF7-16P-2.54DS\(56\)](#) [MDF7-16P-2.54DSA\(55\)](#) [MDF7-40DP-2.54DSA\(55\)](#) [MDF7-8P-2.54DSA\(55\)](#) [AXG720047](#) [5031084030](#) [55323-1519](#) [DF33-2P-3.3DSA\(24\)](#) [DF33-2S-3.3C](#)