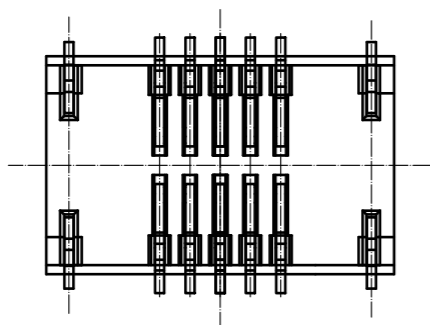
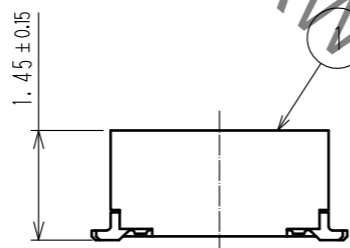
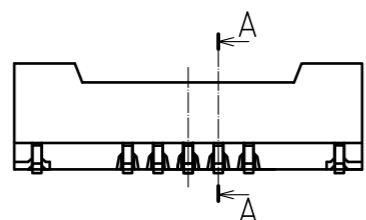
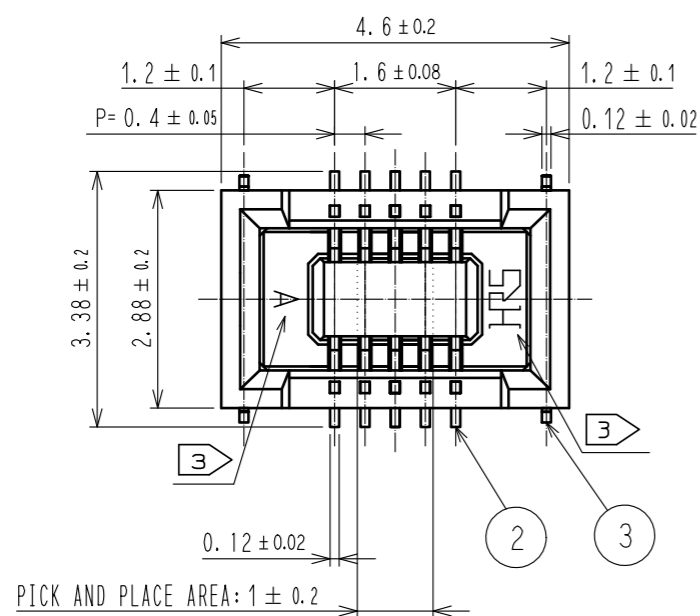
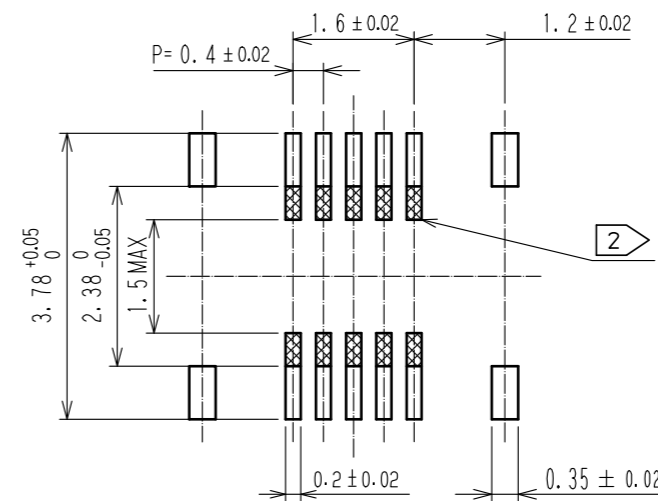


Jan.1.2022 Copyright 2022 HIROSE ELECTRIC CO., LTD. All Rights Reserved.
In case of consideration for using Automotive equipment / device which demand high reliability, kindly contact our sales window correspondents.



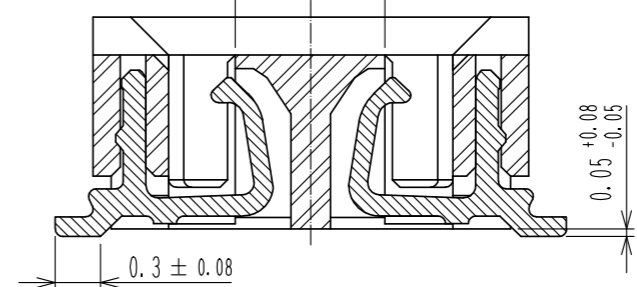
RECOMMENDED PATTERN



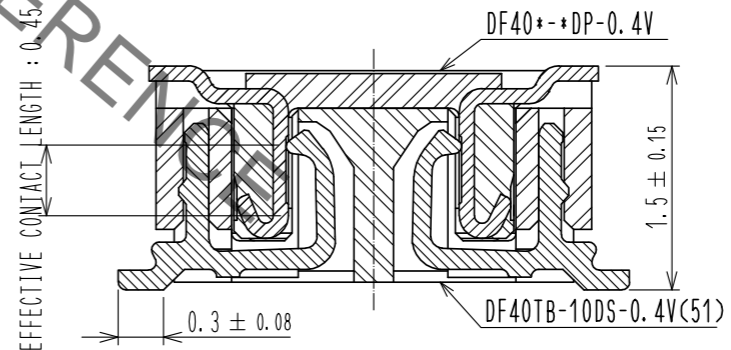
RECOMMENDED METAL MASK THICKNESS : 120#m
RECOMMENDED MASK OPENING RATIO : 80% FOR LEAD PAD

A-A(20:1)

PICK AND PLACE AREA : 0.99 ± 0.1



ENGAGEMENT FIGURE (20:1)



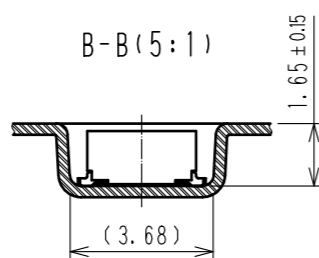
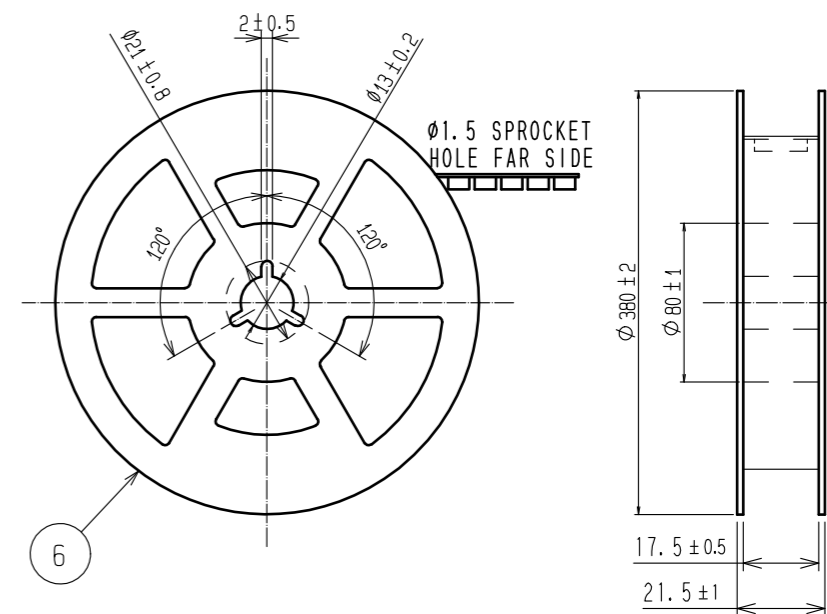
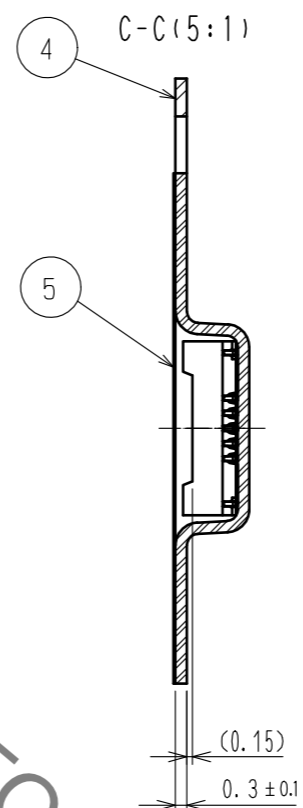
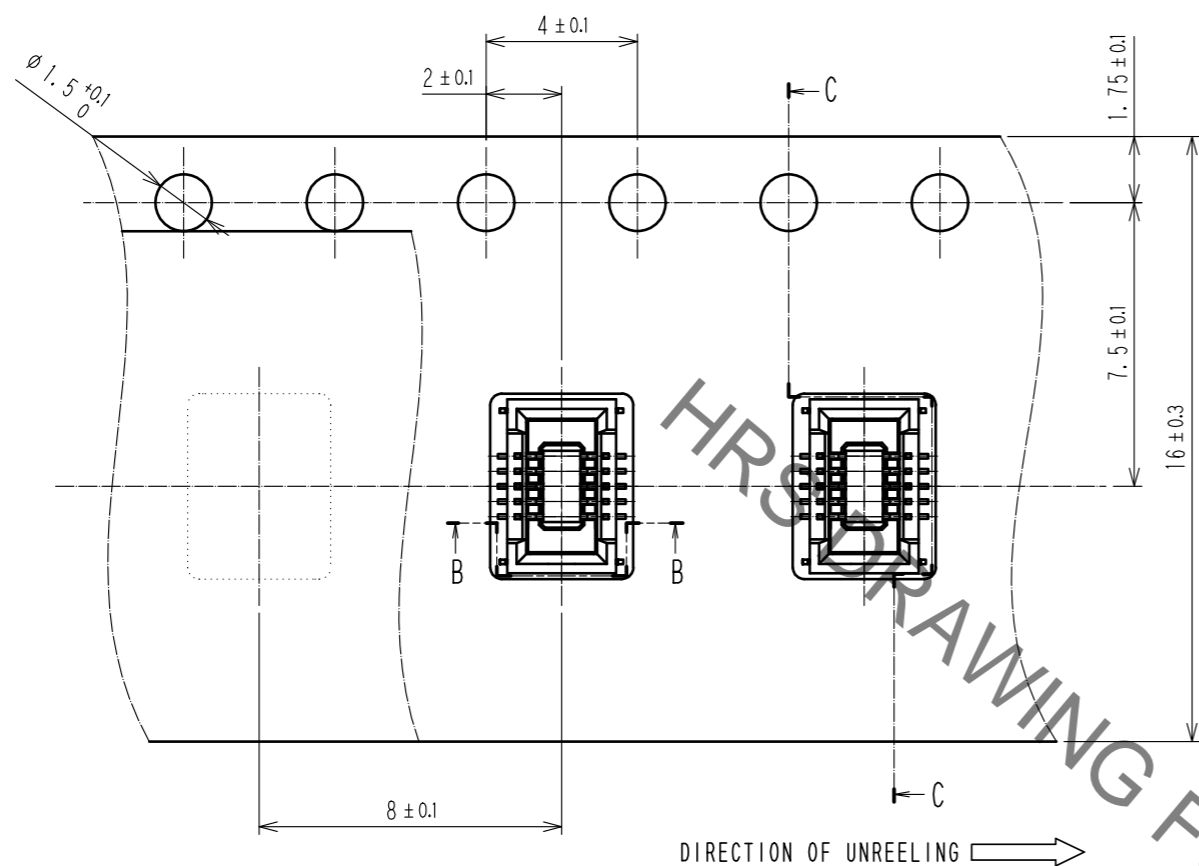
NOTE 1. ALL LEADS CO-PLANARITY SHALL BE 0.1 MAX.
 2 IS NO PATTERN AREA OTHER THAN THE SAME CIRCUIT.
 3 HRS MARK AND CAV NO. ARE INDICATED IN APPROX. POSITION SHOWN.

3	COPPER ALLOY	GOLD 0.05#m MIN UNDERPLATING-NICKEL 1#m MIN	7	PS	CLEAR-REINFORCEMENT COLLAR
			6	PS	BLACK-PLASTIC REEL
2	COPPER ALLOY	GOLD 0.05#m MIN UNDERPLATING-NICKEL 1#m MIN	5	POLYESTER	CLEAR-COVER TAPE
			4	PS	CLEAR(EMBOSSED CARRIER TAPE)
1	LCP	UL94V-0-BLACK			
NO.	MATERIAL	FINISH , REMARKS	NO.	MATERIAL	FINISH , REMARKS
UNITS mm		SCALE 10:1	COUNT 1	DESCRIPTION OF REVISIONS DIS-H-00005725	
APPROVED : WR. FUKUCHI 20191122			DESIGNED : YK. SATAKE		
CHECED : TS. MIYAZAKI 20191122			CHECKED : TS. MIYAZAKI		
DESIGNED : YK. SATAKE 20191122			DATE : 20200204		
DRAWN : YK. SATAKE 20191122			DRAWING NO. : EDC-388250-51-00		
HRS HIROSE ELECTRIC CO., LTD.			PART NO. : DF40TB-10DS-0.4V(51)		
			CODE NO. : CL684-4273-0-51		

Jan.1.2022 Copyright 2022 HIROSE ELECTRIC CO., LTD. All Rights Reserved.
 In case of consideration for using Automotive equipment / device which demand high reliability, kindly contact our sales window correspondents.

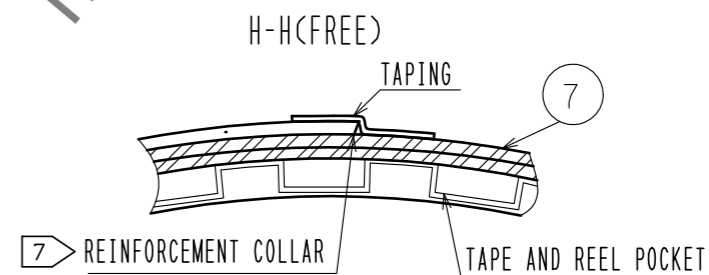
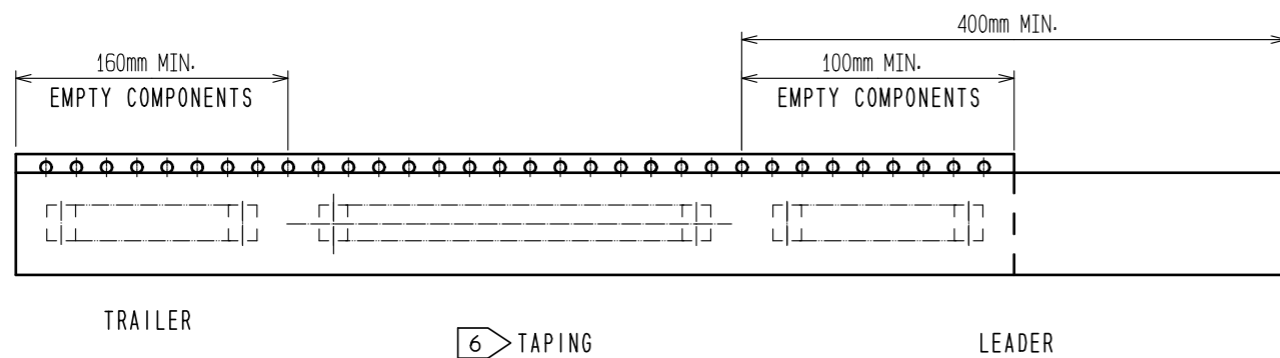
EMBOSSED CARRIER TAPE PACKAGING (5:1)

STYLE AND DIMENSIONS OF REEL (FREE)



- NOTES
- 4. PER REEL 5000 CONNECTORS.
 - 5. THE DIMENSIONS IN PARENTHESES ARE FOR REFERENCE.
 - 6 REFER TO JIS C 0806 (PACKING OF COMPONENTS FOR AUTOMATIC HANDLING)
 - 7 AFTER PACKAGING, ROLL 2 METERS OF THE REINFORCEMENT COLLAR TO OUTER CIRCUMFERENCE OF TAPE AND REEL POCKET, AND TAPE DOWN AT THE END THE COLLAR.

PORTION EQUIPPED WITH CONNECTORS (FREE)



HRS	DRAWING NO.	EDC-388250-51-00
	PART NO.	DF40TB-10DS-0.4V(51)
	CODE NO.	CL684-4273-0-51
		2/2

X-ON Electronics

Largest Supplier of Electrical and Electronic Components

Click to view similar products for [Board to Board & Mezzanine Connectors](#) category:

Click to view products by [Hirose](#) manufacturer:

Other Similar products are found below :

[589158040000018](#) [FCN-230C068-11](#) [FCN-268F012-G/BD](#) [FCN-268F036-G/BD](#) [FCN-268M012-G/0D](#) [FCN-268M024-G/1D](#) [FCN-723J004/1](#) [MIS-048-01-F-D-DP-K](#) [832-10-034-10-001000](#) [FX4C-80S-1.27DSA](#) [FCN-214Q030-G/0](#) [FCN-234P048-G/0](#) [FCN-235D050-G/C](#) [2-22603-0](#) [AXG720047](#) [5031084030](#) [MIT-114-03-F-D-K](#) [55323-1519](#) [YFT-20-05-H-03-SB-K](#) [503308-3040](#) [026-6203-PDB](#) [027-6203-PDB](#) [069159702701000](#) [10123981-102LF](#) [101A10019X](#) [55650-0588-C](#) [68682-310LF](#) [68684-306](#) [75140-7012](#) [87471-650](#) [YTW-30-07-H-Q-410-140](#) [194261-1](#) [FCN-268F024-G0D](#) [10124054-515LF](#) [68685-603](#) [8-1616154-3](#) [MIS-019-01-F-D](#) [FCN-268M024-G/3D](#) [FCN-268M036-G/BD](#) [20021832-06016C1LF](#) [KX15-20KLDL-E1000E](#) [AXE810124](#) [FCN-214J100-G/0](#) [FCN-230C068-E/S](#) [AXE812124](#) [AXE816124](#) [AXE720127](#) [354184](#) [MIT-019-04-F-D-K](#) [P50-028-DDS-TG](#)