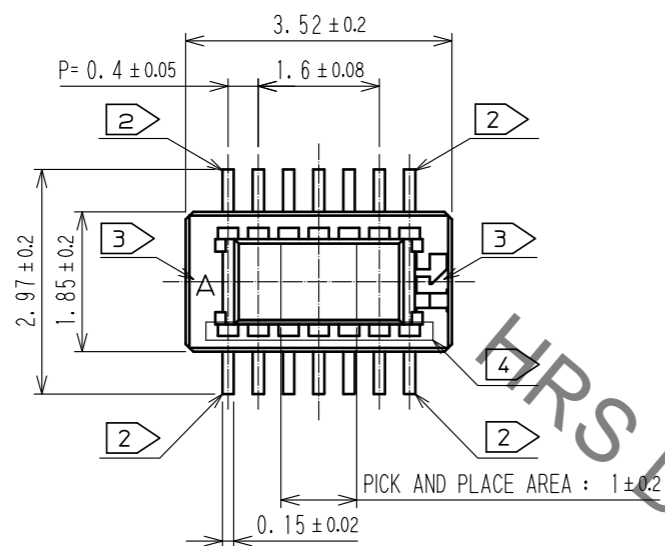
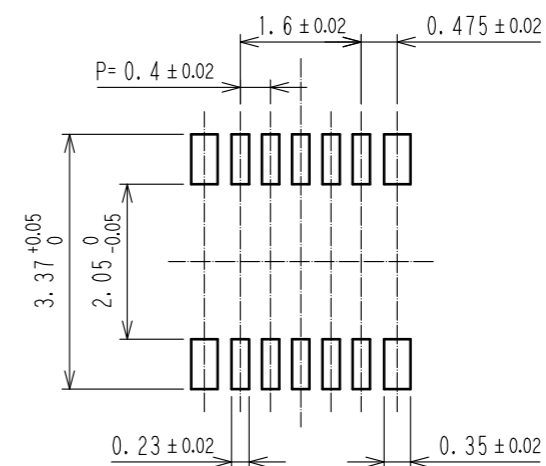


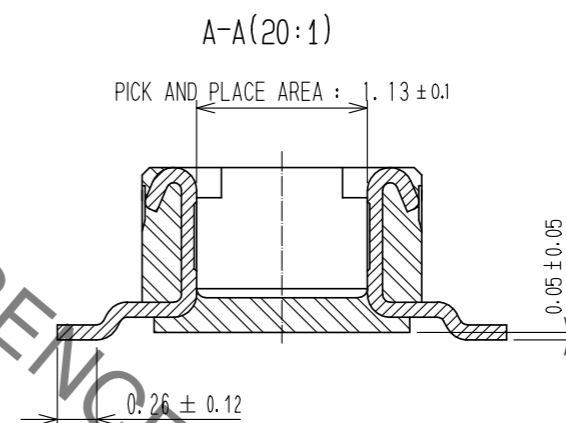
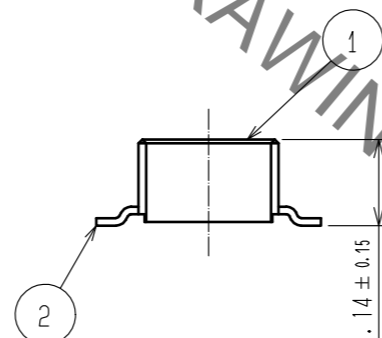
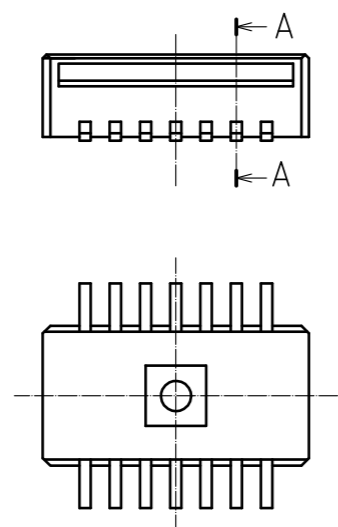
Jan.1.2022 Copyright 2022 HIROSE ELECTRIC CO., LTD. All Rights Reserved.  
In case of consideration for using Automotive equipment / device which demand high reliability, kindly contact our sales window correspondents.



RECOMMENDED PATTERN



RECOMMENDED METAL MASK THICKNESS: 120μm  
RECOMMENDED METAL MASK OPENING RATIO: 80% FOR LEAD PAD



- NOTES
- 1. ALL LEADS CO-PLANARITY SHALL BE USED 0.1MAX.
  - 2. EACH ONE CONTACT AT 4 CORNERS SHALL BE USED AS METAL HOLD DOWN.
  - 3. HRS MARK AND CAV NO. ARE INDICATED IN APPROX. POSITION SHOWN.
  - 4. THERE IS A POSSIBILITY THAT THE RESIN WILL BE EXPOSED AT THIS AREA. BUT THIS WILL NOT AFFECT THE CONTACT RELIABILITY.

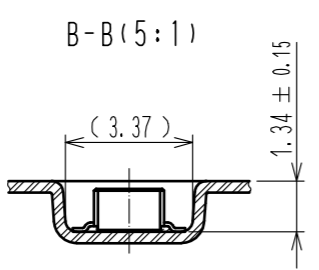
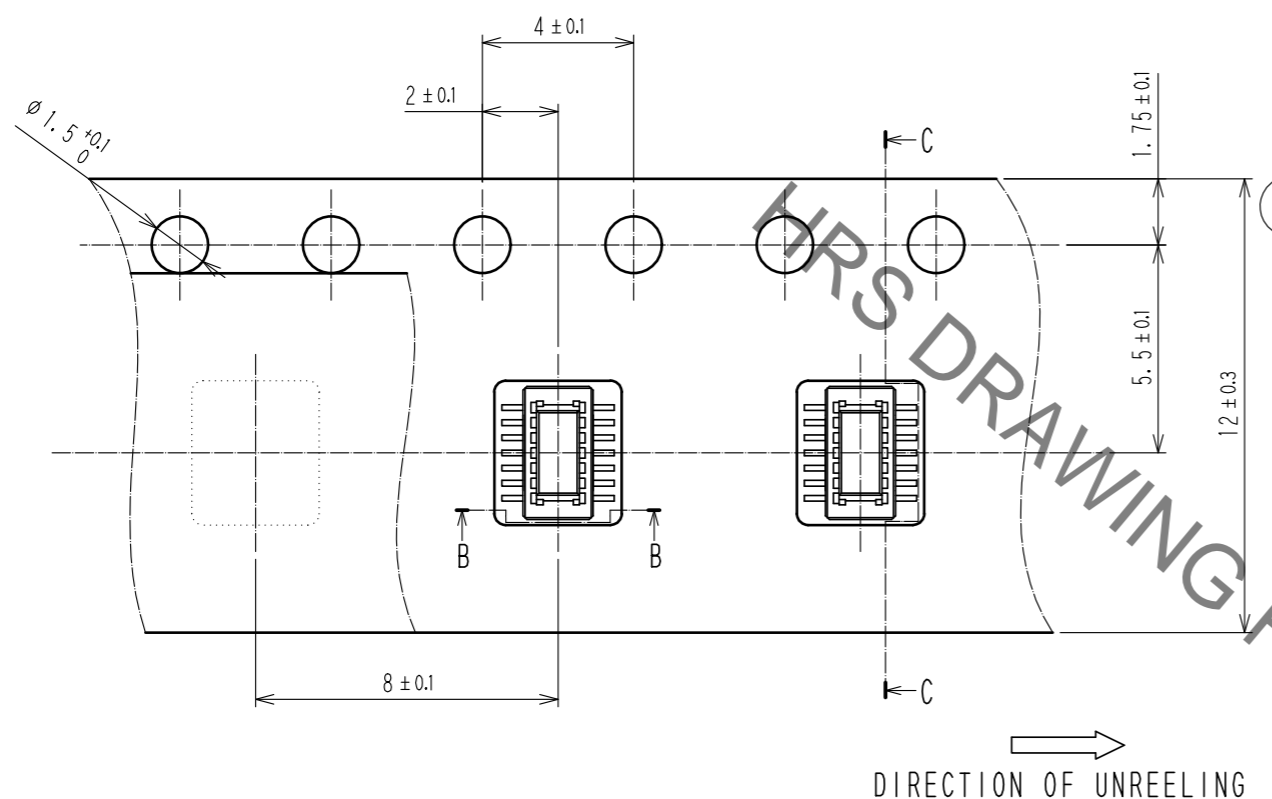
NO.	MATERIAL	FINISH . REMARKS	NO.	MATERIAL	FINISH . REMARKS
2	COPPER ALLOY	GOLD 0.05μm MIN UNDERPLATING-NICKEL 1μm MIN	6	PS	CLEAR-REINFORCEMENT COLLAR
1	LCP	UL94V-0-BLACK	5	PS	BLACK-PLASTIC REEL
			4	POLYESTER	CLEAR-COVER TAPE
			3	PS	CLEAR(EMBOSSED CARRIER TAPE)

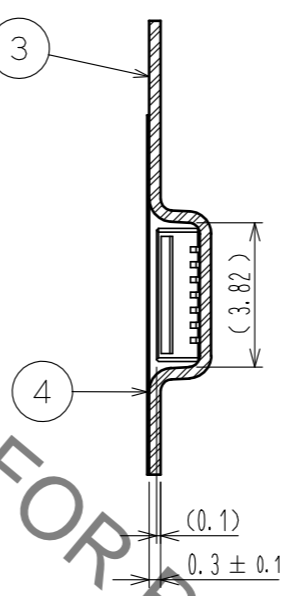
UNITS	SCALE	COUNT	DESCRIPTION OF REVISIONS	DESIGNED	CHECKED	DATE
mm	10 : 1	1	DIS-H-00005725	YK. SATAKE	TS. MIYAZAKI	20200204
APPROVED : WR. FUKUCHI 20191122			DRAWING NO. EDC-386793-51-01			
CHECKED : TS. MIYAZAKI 20191122			PART NO. DF40TC-10DP-0.4V(51)			
DESIGNED : YK. SATAKE 20191122			CODE NO. CL684-4269-0-51			
DRAWN : YK. SATAKE 20191122						

Jan.1.2022 Copyright 2022 HIROSE ELECTRIC CO., LTD. All Rights Reserved.  
 In case of consideration for using Automotive equipment / device which demand high reliability, kindly contact our sales window correspondents.

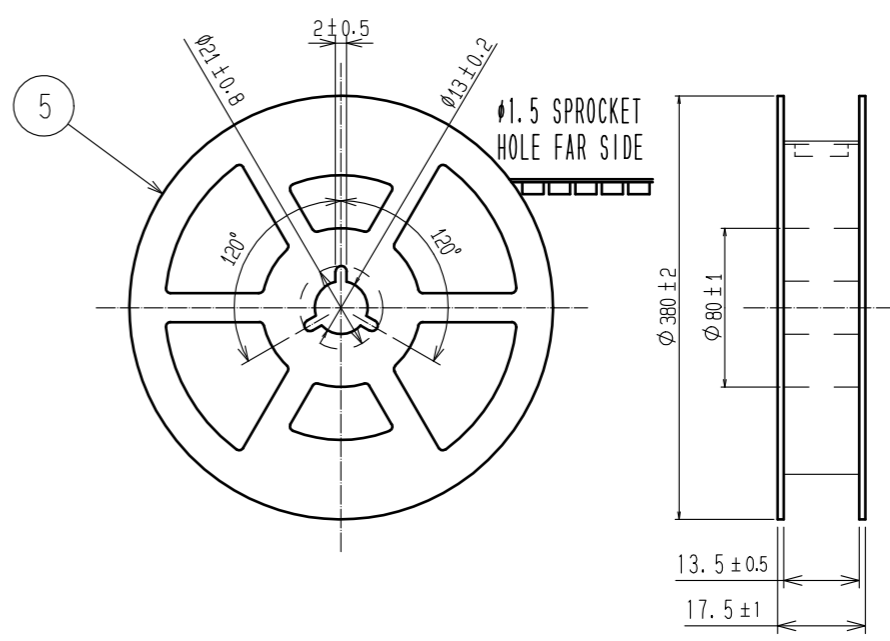
ENBOSSED CARRIER TAPE PACKAGING (5:1)



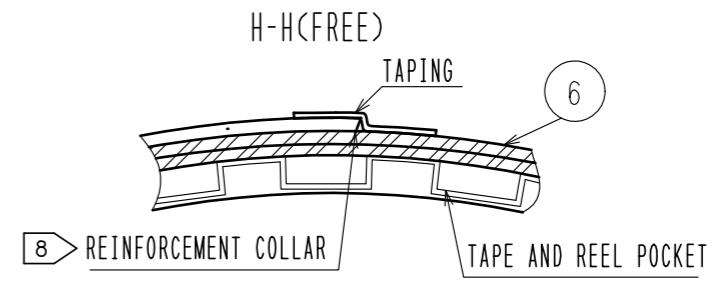
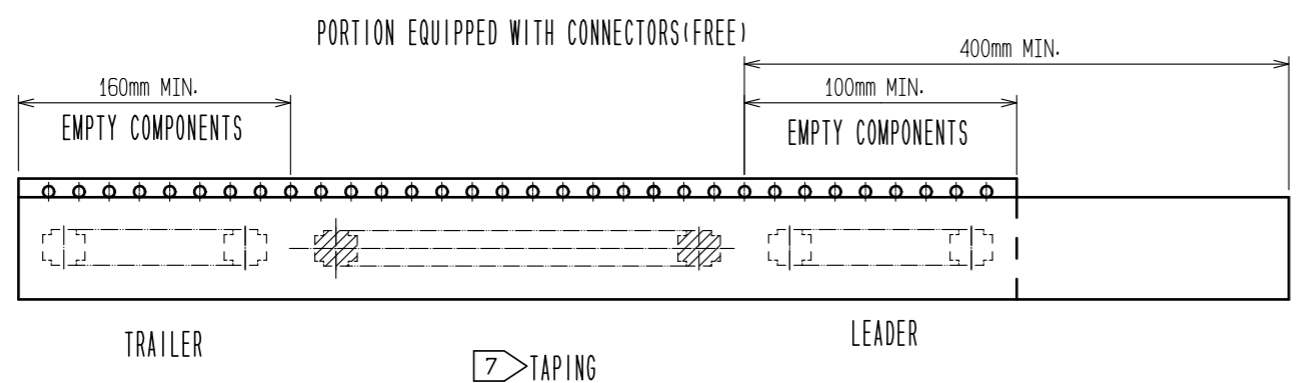
C-C (5:1)



STYLE AND DIMENSIONS OF REEL (FREE)



- NOTES
- 5. PER REEL 5000 CONNECTORS.
  - 6. THE DIMENSIONS IN PARENTHESES ARE FOR REFERENCE.
  - 7. REFER TO JIS C 0806 (PACKING OF COMPONENTS FOR AUTOMATIC HANDLING)
  - 8. AFTER PACKAGING, ROLL 2 METERS OF THE REINFORCEMENT COLLAR TO OUTER CIRCUMFERENCE OF TAPE AND REEL POCKET, AND TAPE DOWN AT THE END THE COLLAR.



<b>HRS</b>	DRAWING NO.	EDC-386793-51-01
	PART NO.	DF40TC-10DP-0.4V(51)
	CODE NO.	CL684-4269-0-51
		2/2

## X-ON Electronics

Largest Supplier of Electrical and Electronic Components

*Click to view similar products for [Board to Board & Mezzanine Connectors](#) category:*

*Click to view products by [Hirose](#) manufacturer:*

Other Similar products are found below :

[589158040000018](#) [FCN-230C068-11](#) [FCN-268F012-G/BD](#) [FCN-268F036-G/BD](#) [FCN-268M012-G/0D](#) [FCN-268M024-G/1D](#) [FCN-723J004/1](#) [MIS-048-01-F-D-DP-K](#) [832-10-034-10-001000](#) [FX4C-80S-1.27DSA](#) [FCN-214Q030-G/0](#) [FCN-234P048-G/0](#) [FCN-235D050-G/C](#) [2-22603-0](#) [AXG720047](#) [5031084030](#) [MIT-114-03-F-D-K](#) [55323-1519](#) [YFT-20-05-H-03-SB-K](#) [503308-3040](#) [026-6203-PDB](#) [027-6203-PDB](#) [069159702701000](#) [10123981-102LF](#) [101A10019X](#) [55650-0588-C](#) [68682-310LF](#) [68684-306](#) [75140-7012](#) [87471-650](#) [YTW-30-07-H-Q-410-140](#) [194261-1](#) [FCN-268F024-G0D](#) [10124054-515LF](#) [68685-603](#) [8-1616154-3](#) [MIS-019-01-F-D](#) [FCN-268M024-G/3D](#) [FCN-268M036-G/BD](#) [20021832-06016C1LF](#) [KX15-20KLDL-E1000E](#) [AXE810124](#) [FCN-214J100-G/0](#) [FCN-230C068-E/S](#) [AXE812124](#) [AXE816124](#) [AXE720127](#) [354184](#) [MIT-019-04-F-D-K](#) [P50-028-DDS-TG](#)